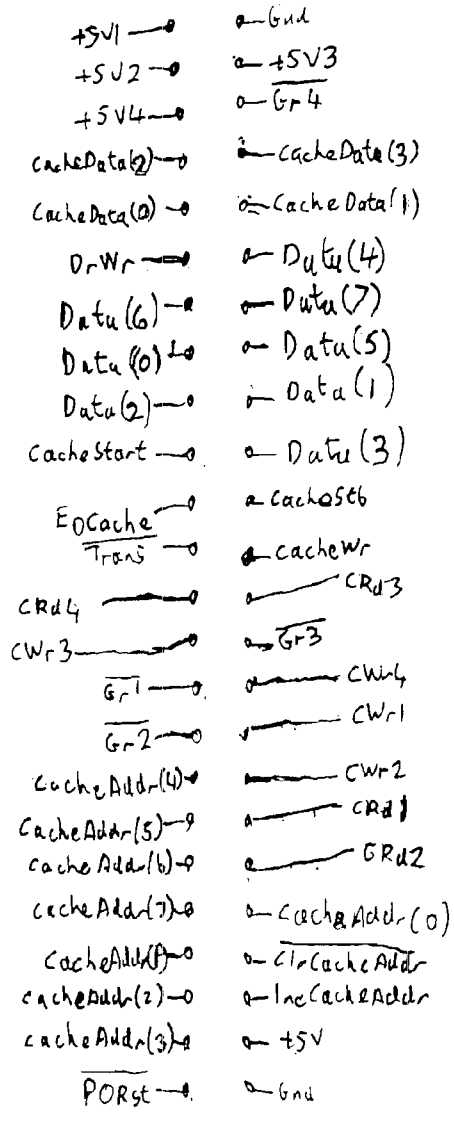
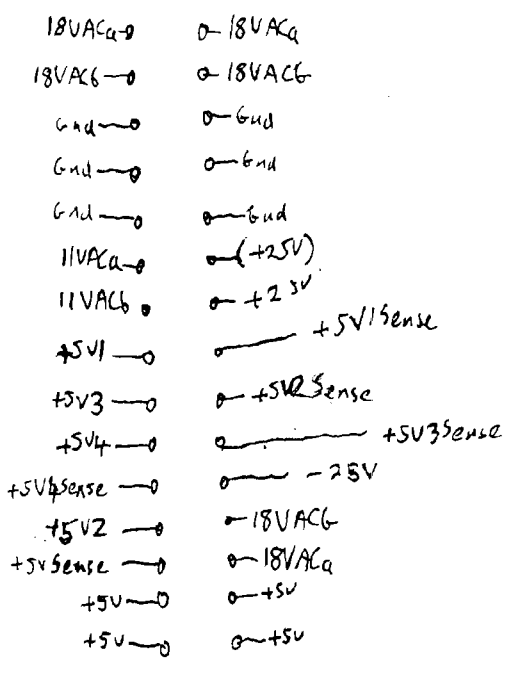


HP11305 Backplane

LN5  
 ↳ Rear



11305-66501  
 Memory Control

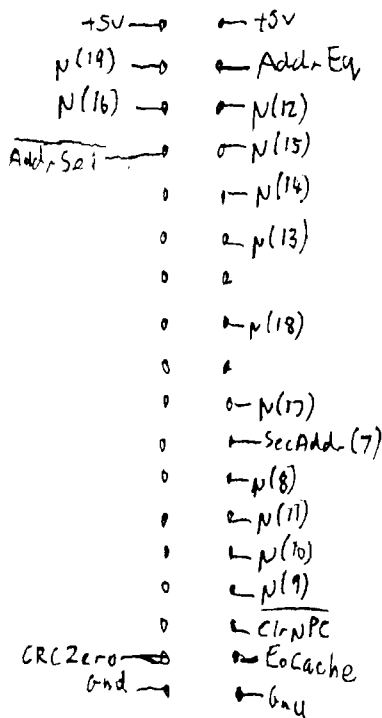
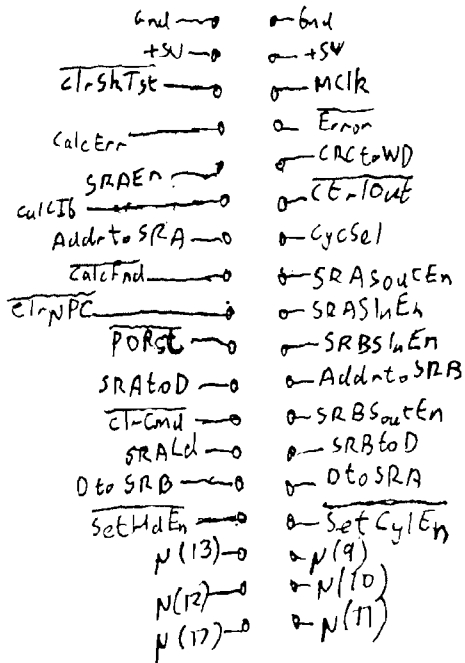
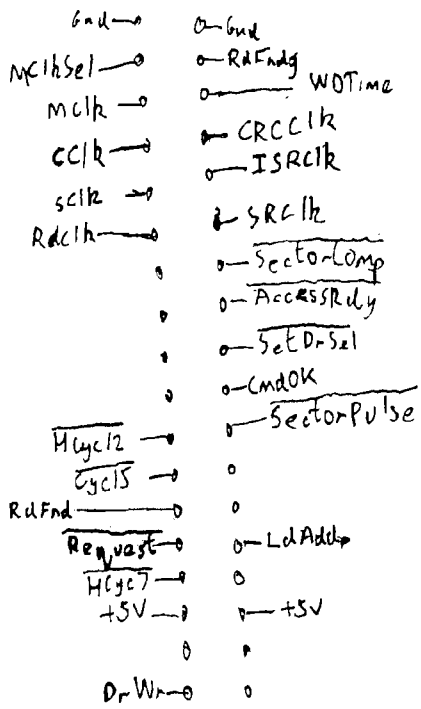


11305-66502  
 PSU

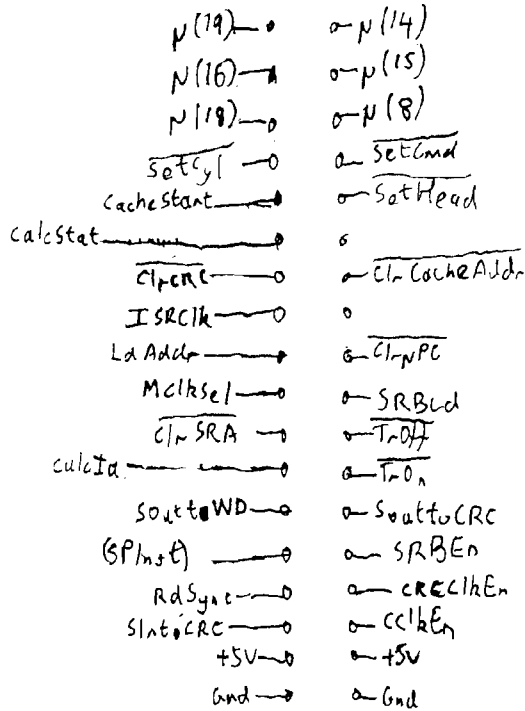
Component side: Front

# HP11305 Backplane

LWS  
↑  
→ Rear



11305-66503  
ROM

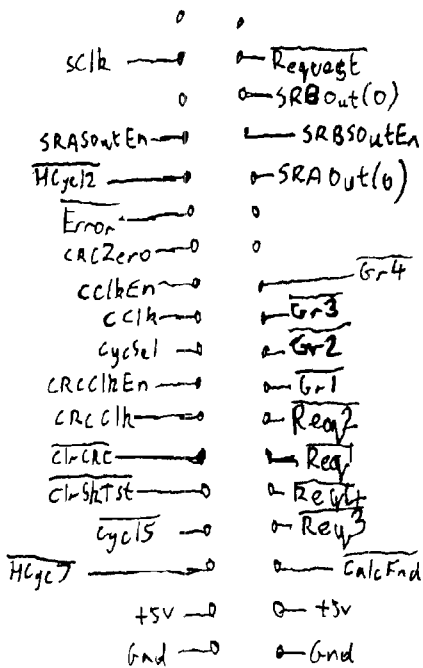
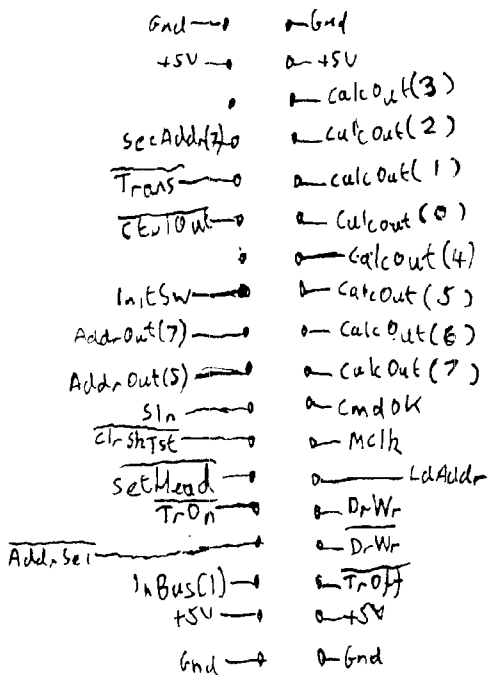
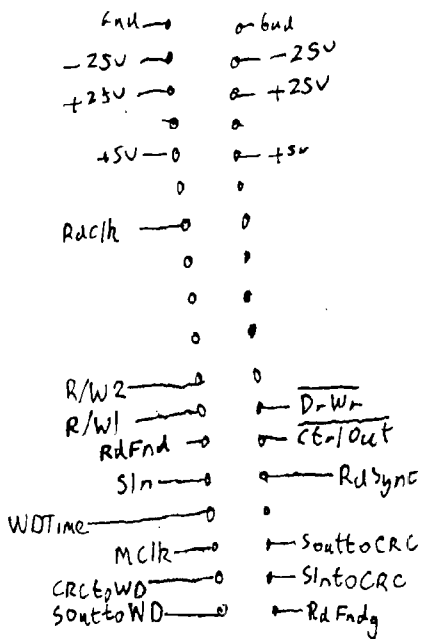
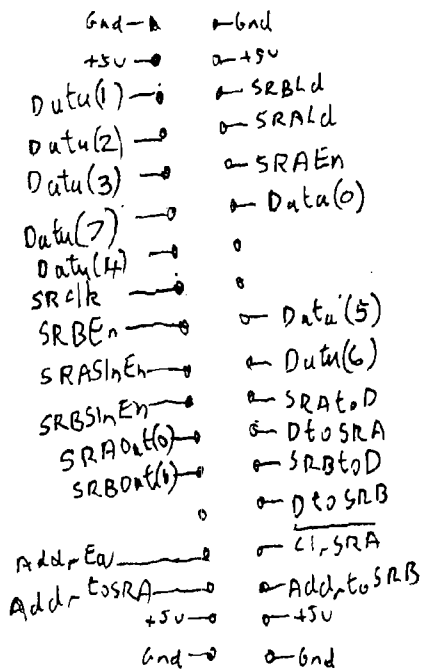


11305-66504  
Instruction

Component side: Rear

# HP11305 Backplane

L45  
↑ → Rear

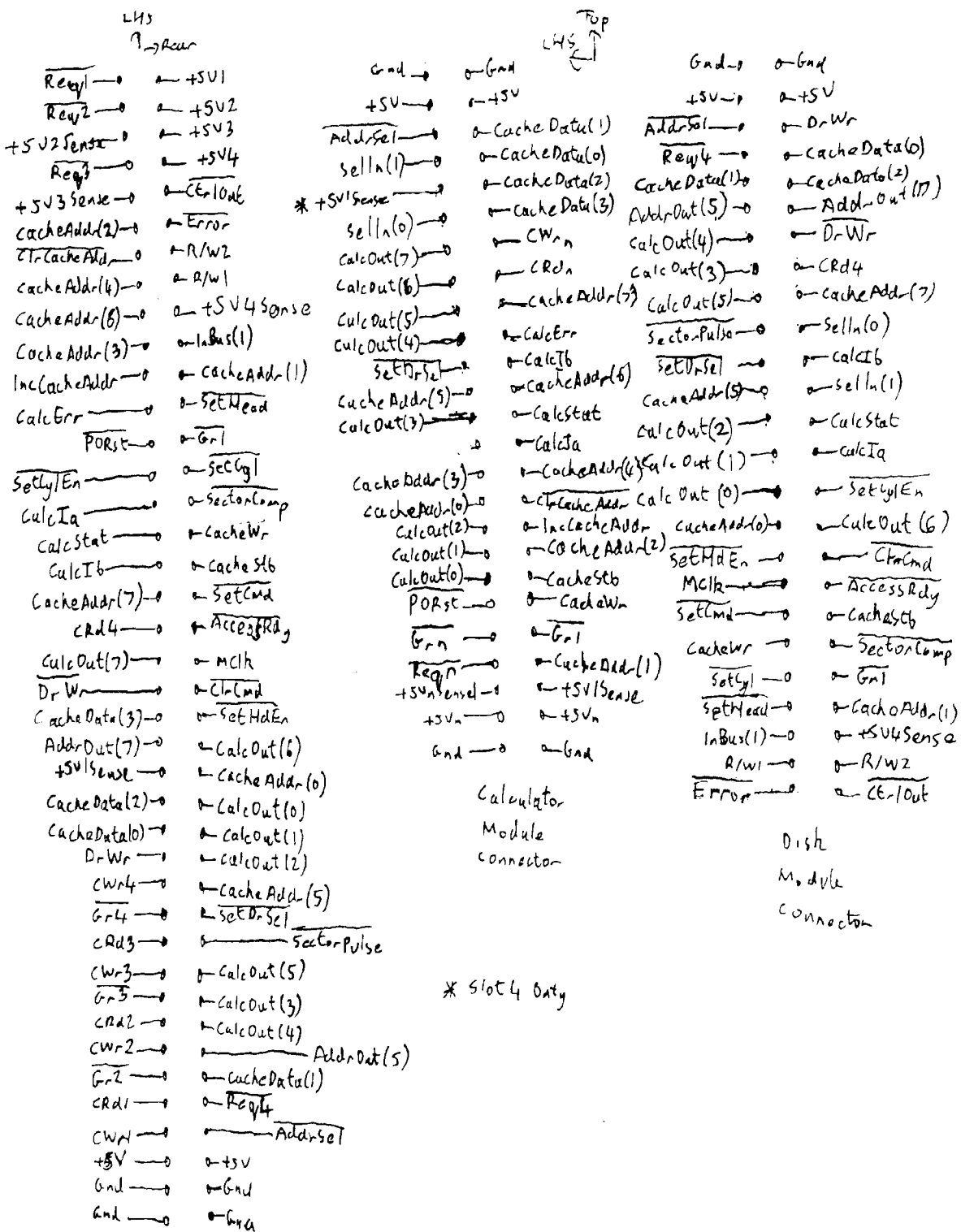


11305-66505  
Data Transfer

11305-66506  
Address Control

Component Side: Rear

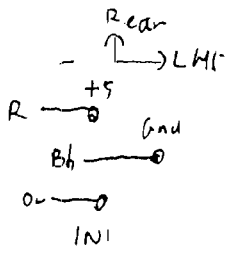
# HP11305 Cable Backplane (11305-66507)



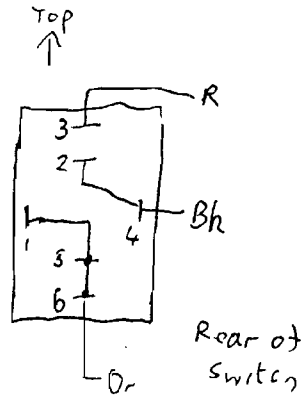
(To Backplane)

\* Slot 4 Data

# HP11305 Chassis Wiring

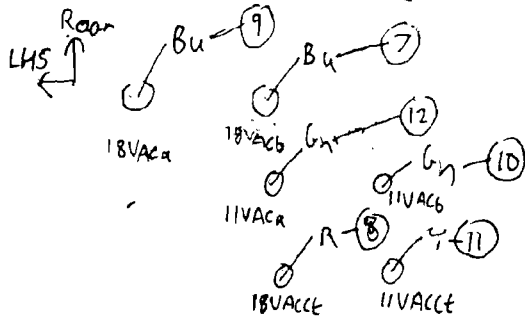


Underside of Backplane



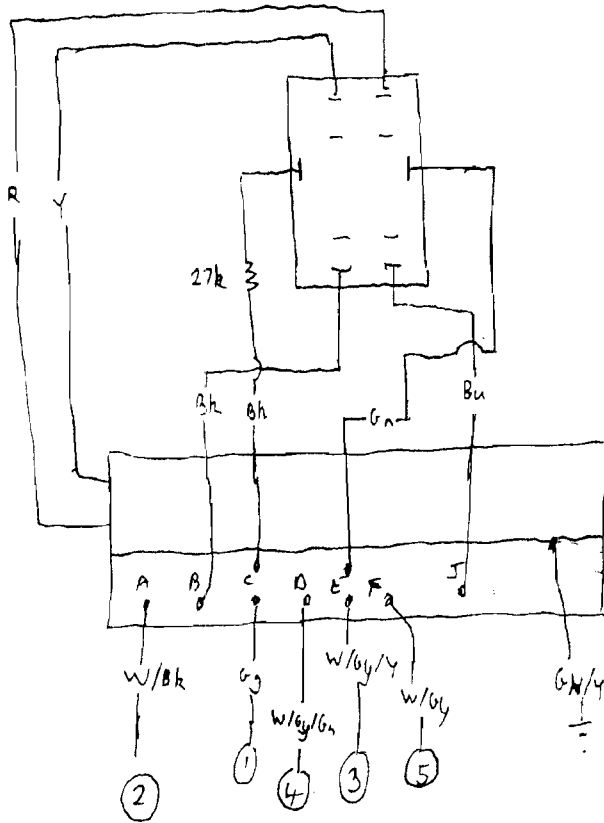
Rear of Switch

## Initialization Switch



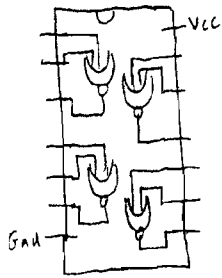
Top of Chassis

## Transformer Secondary

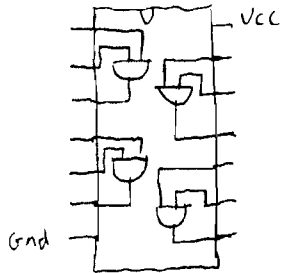


Mains Input Module

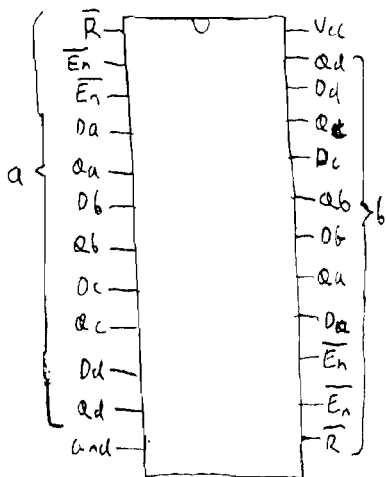
HP11305



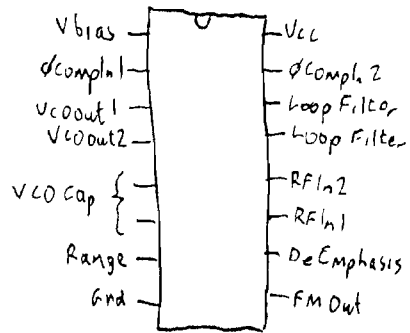
8885  
Quad 2-Input  
NOR Gate



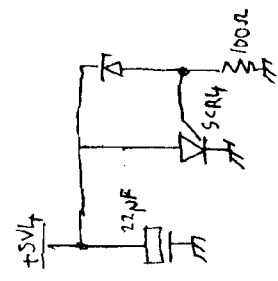
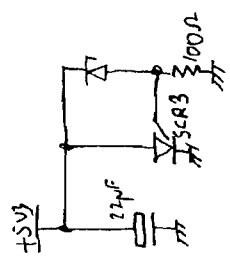
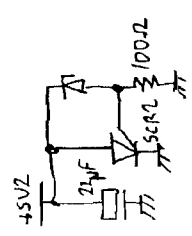
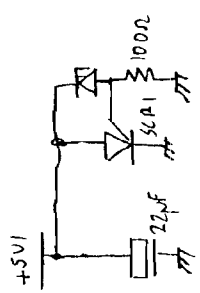
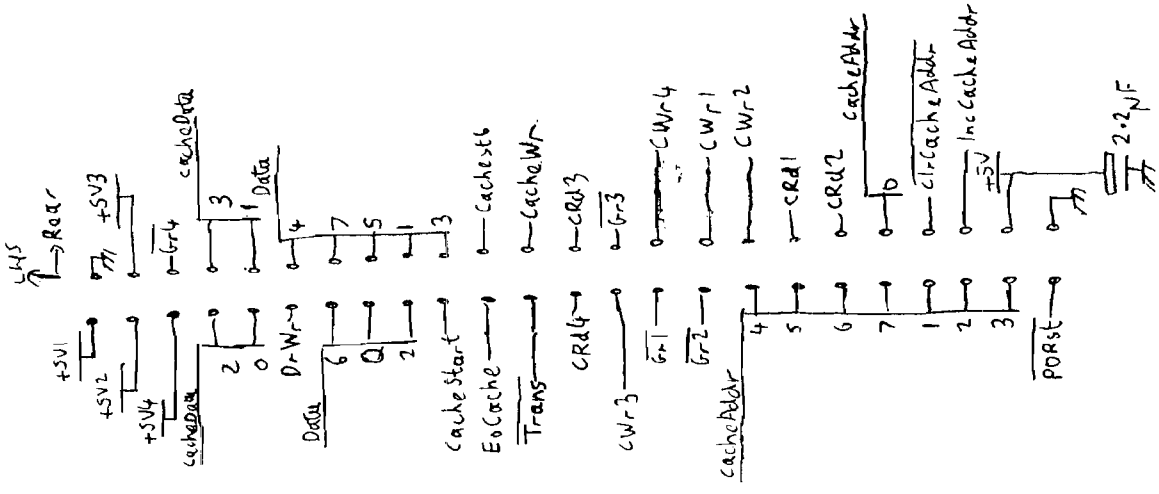
3001  
Quad 2-Input  
AND Gate (85'08)



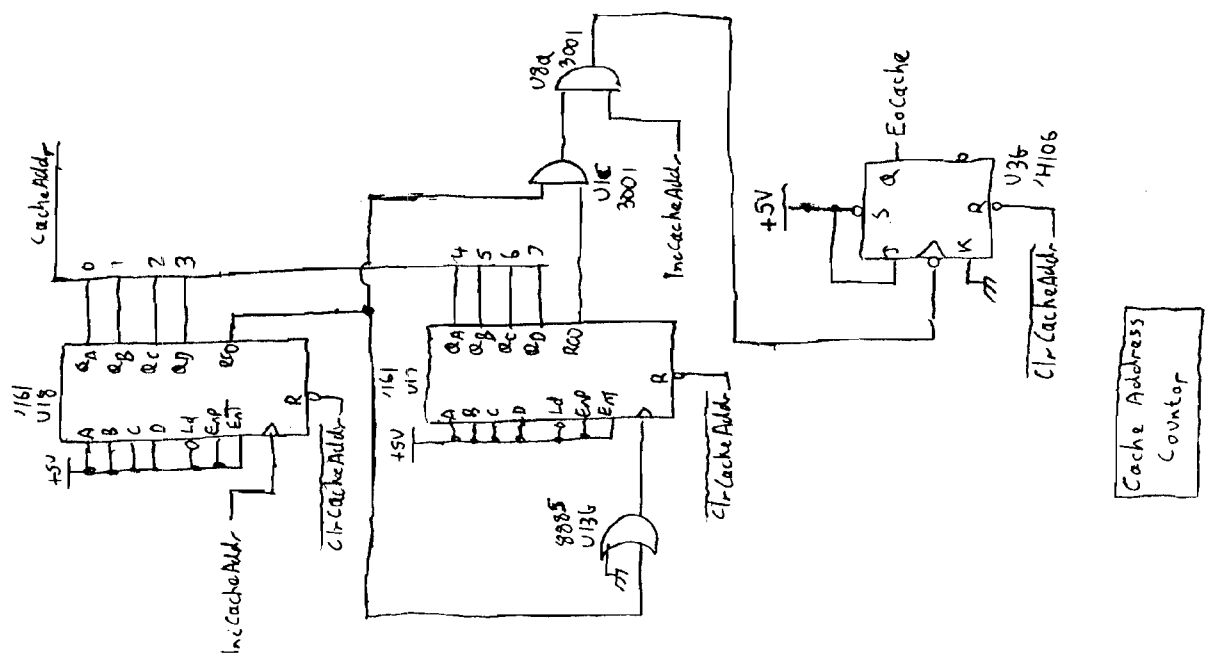
9308  
Quad 4-bit  
Latch (85'11b)



NE562  
Phase-Locked  
Loop

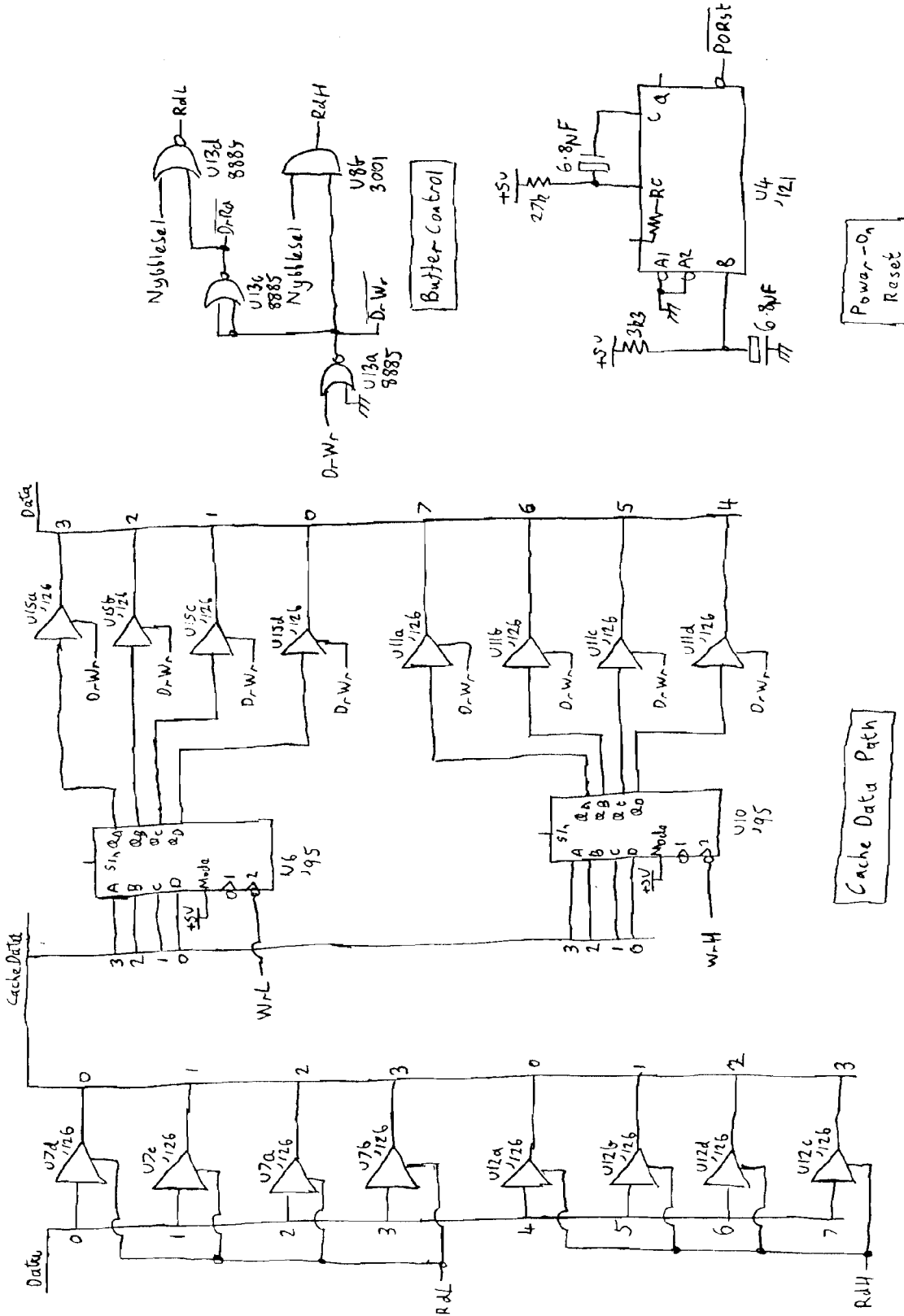


Crowbars

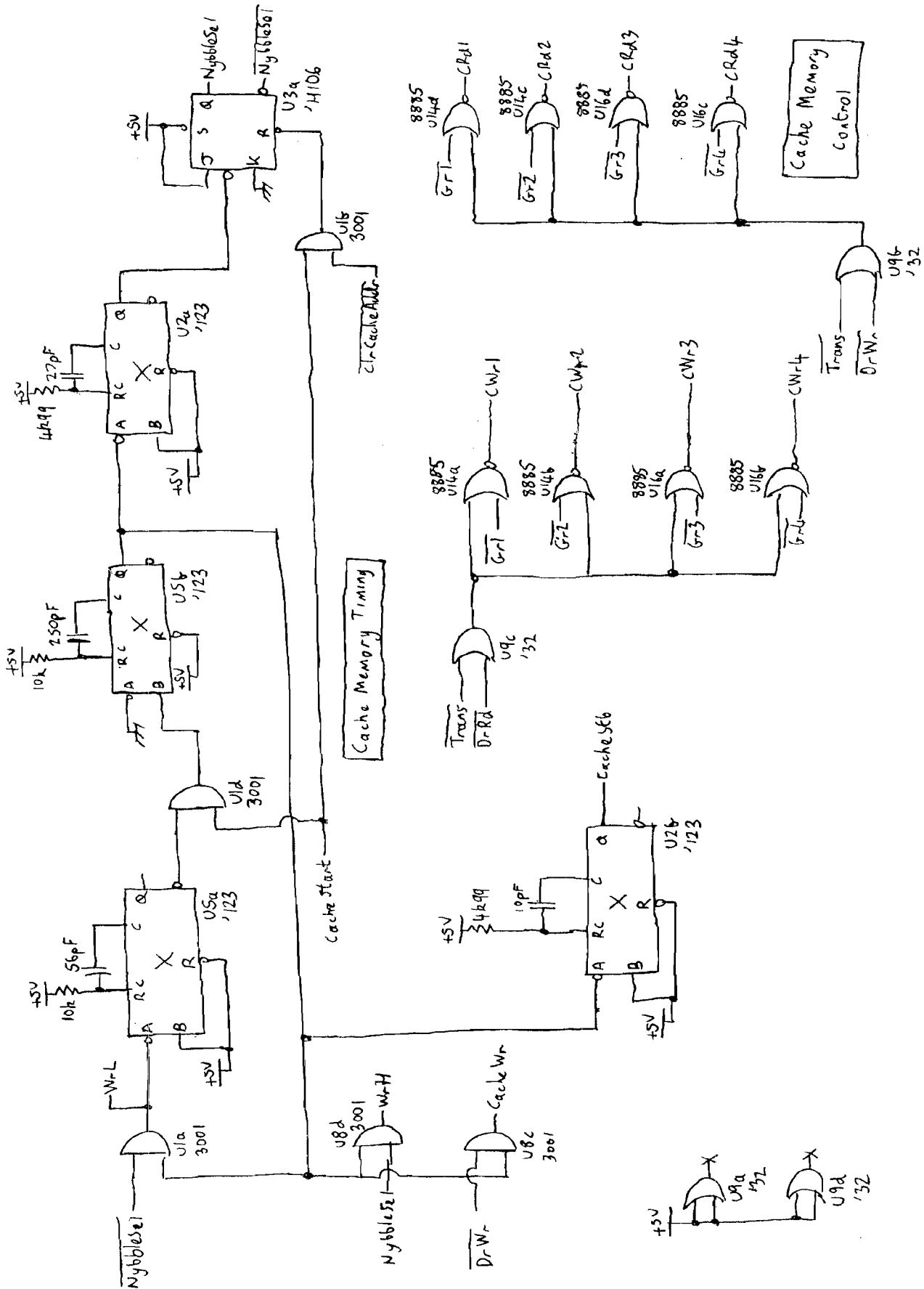


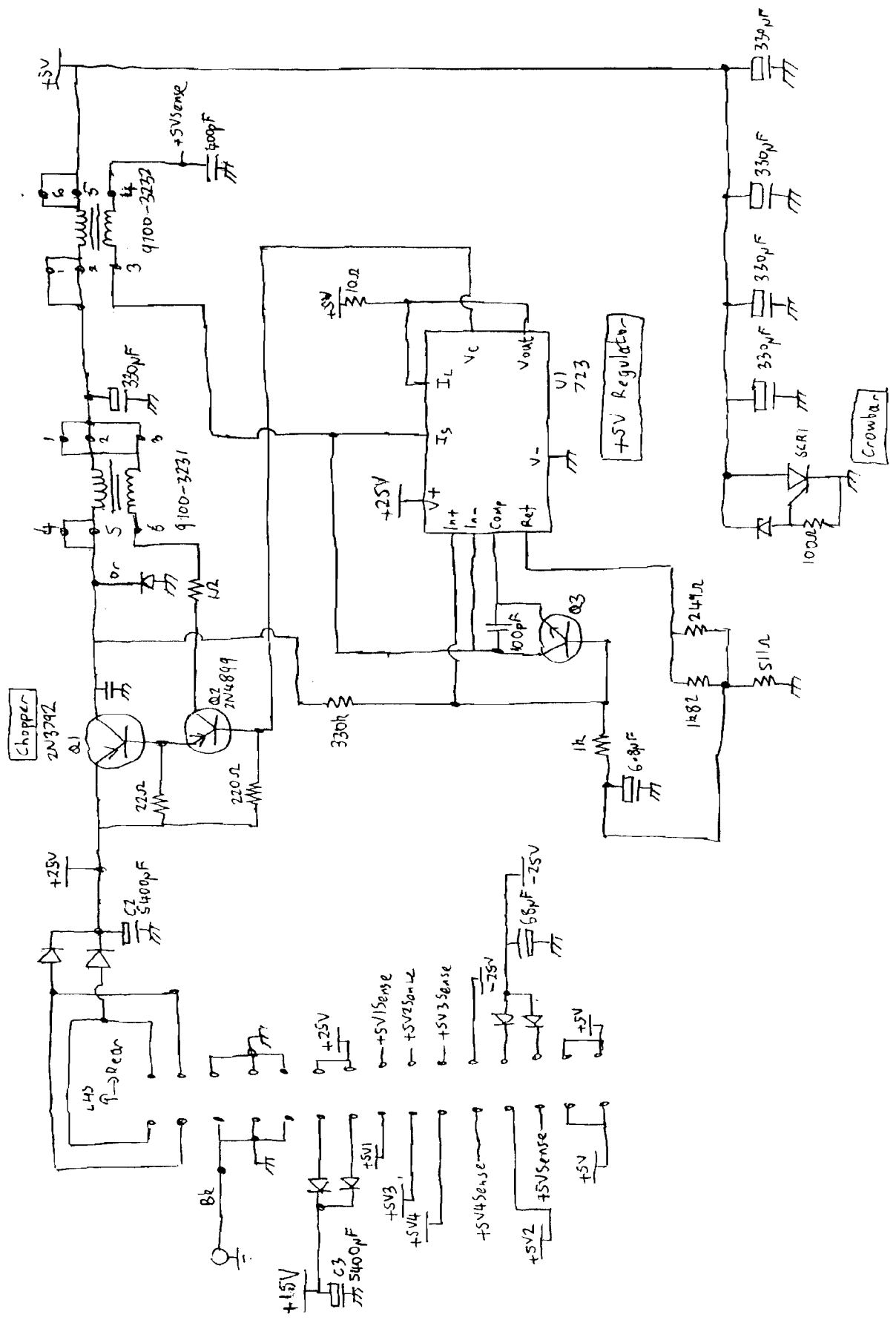
Cache Address Counter

HP1130S - 66501 (Br)

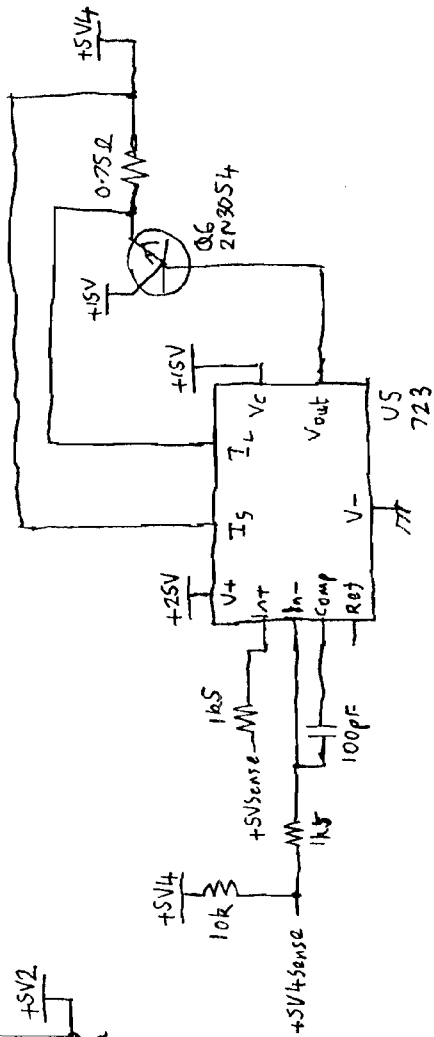
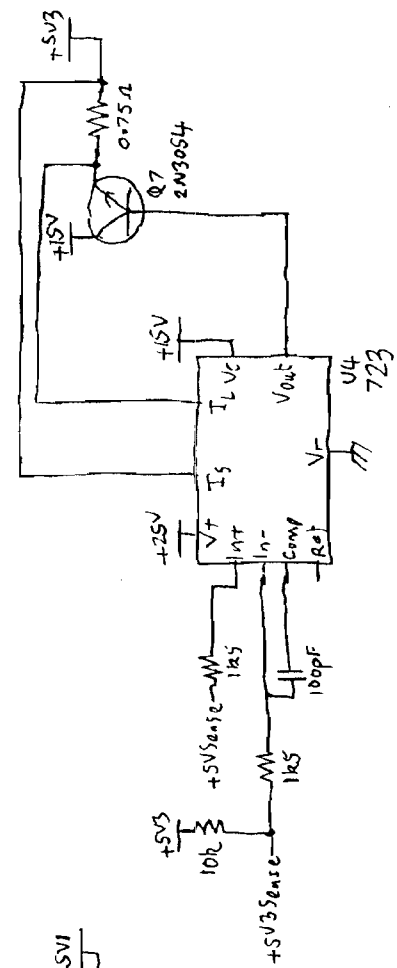
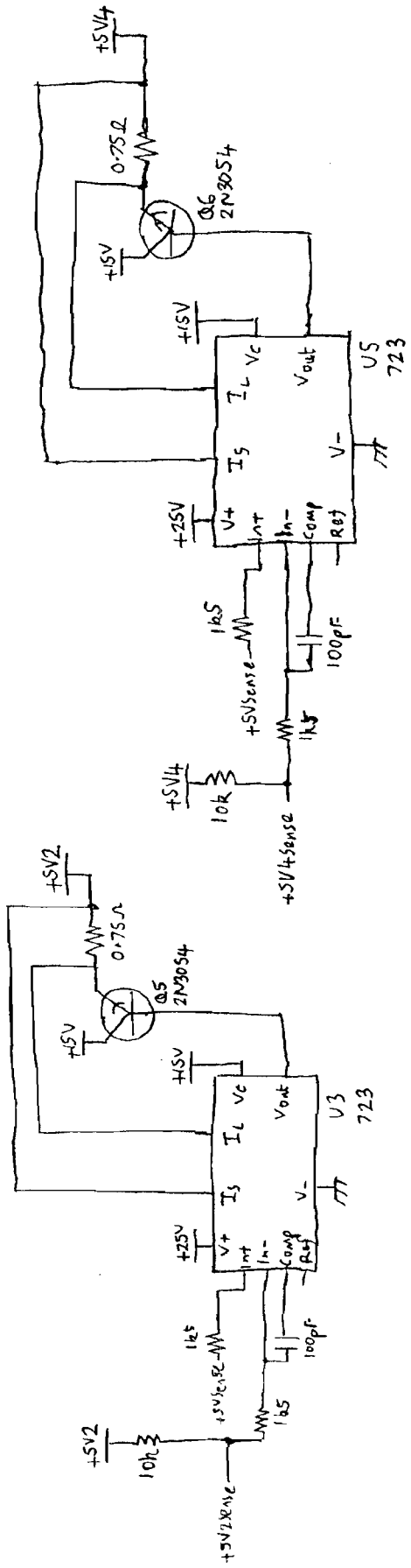
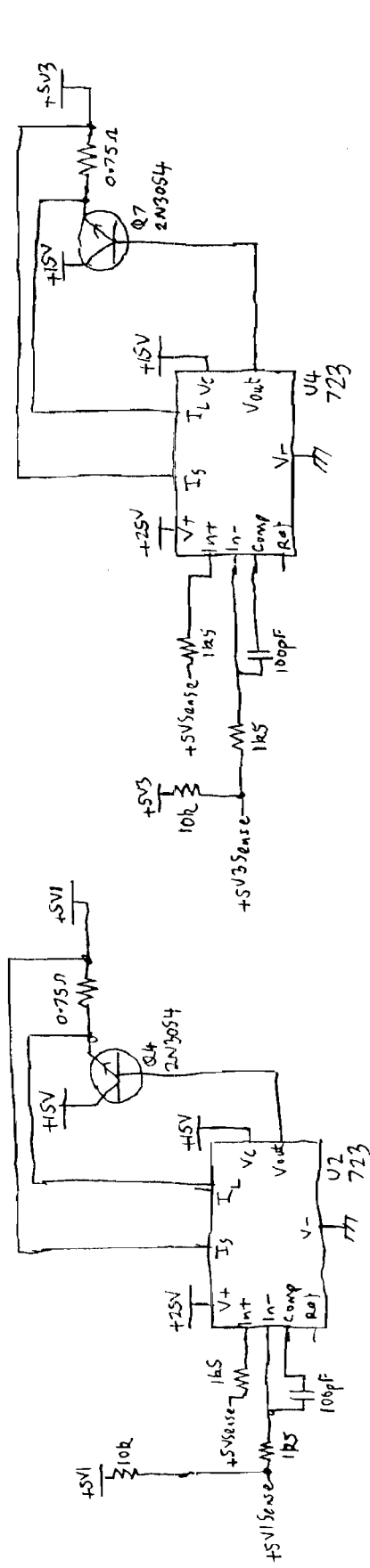




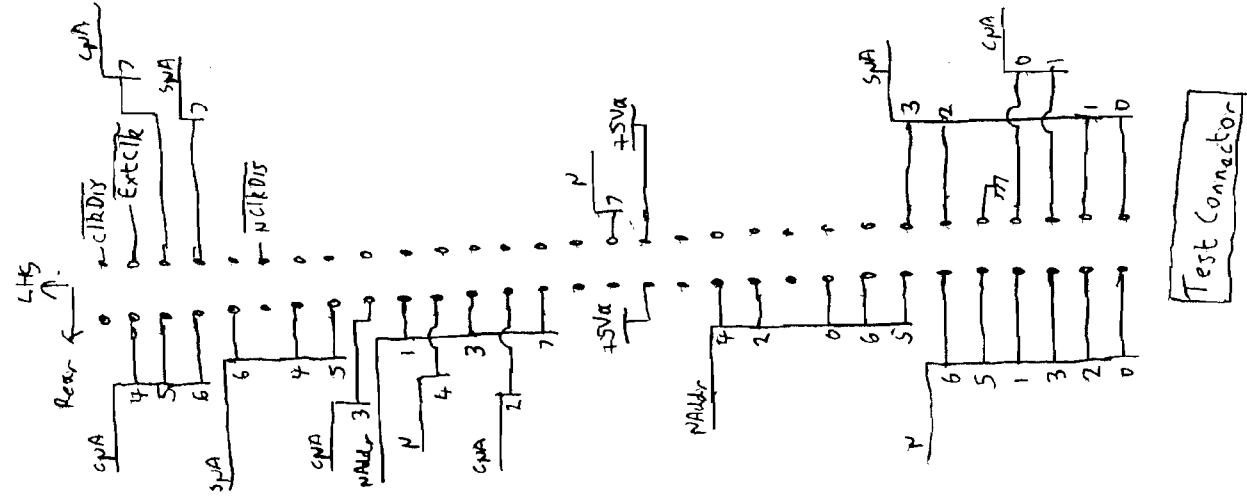
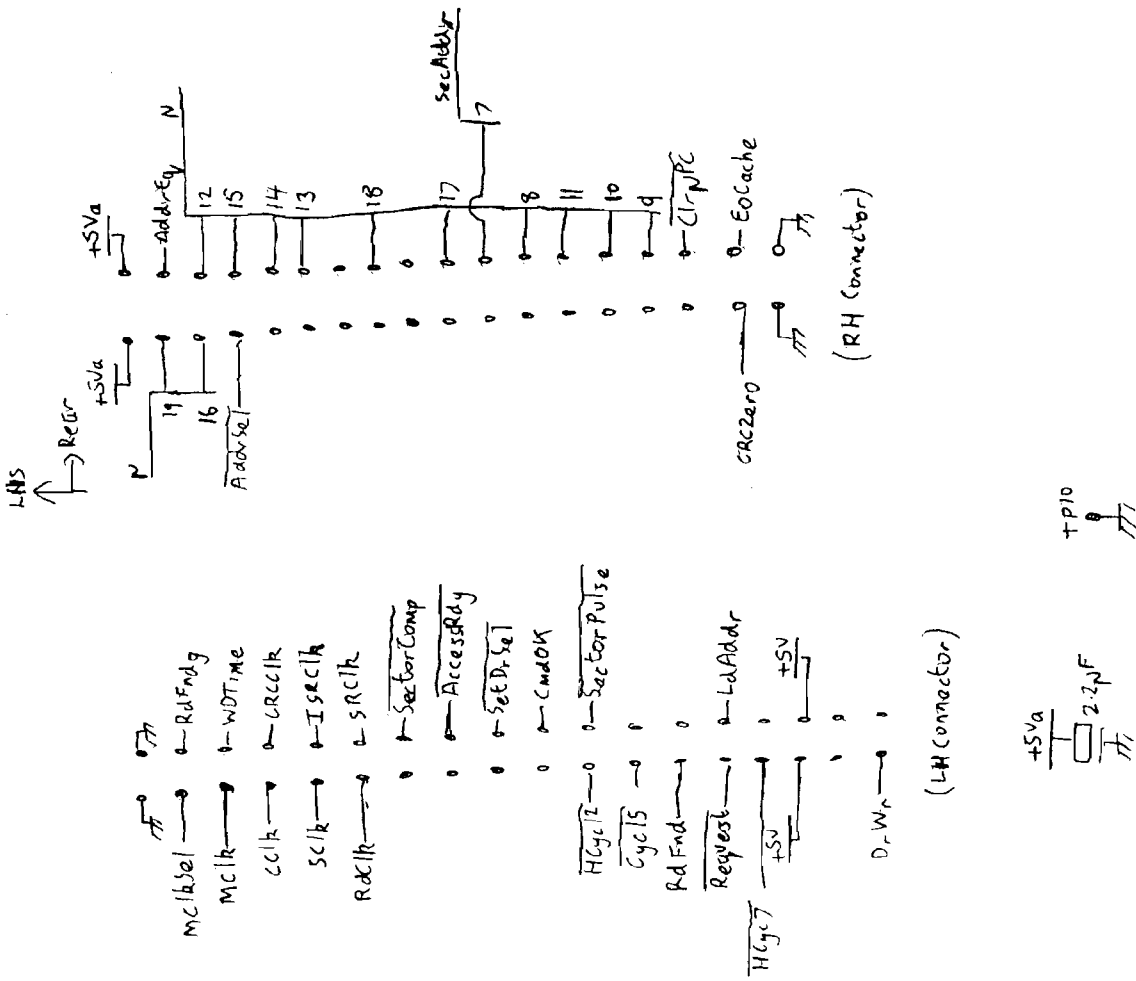




HP11305 PSU PCB sheet ① 11305-66502 (R)



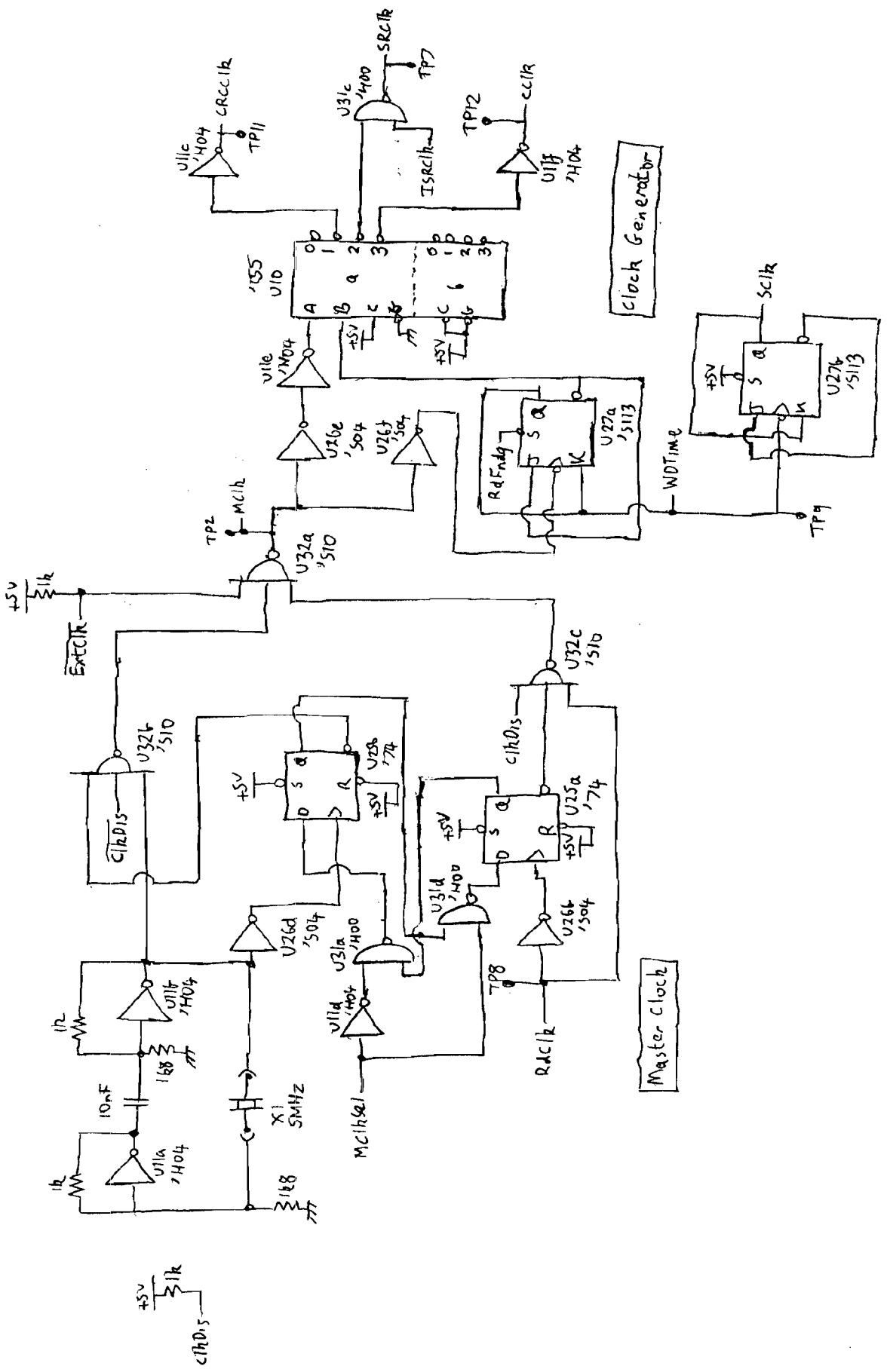
Calculator Cable  
Supplies

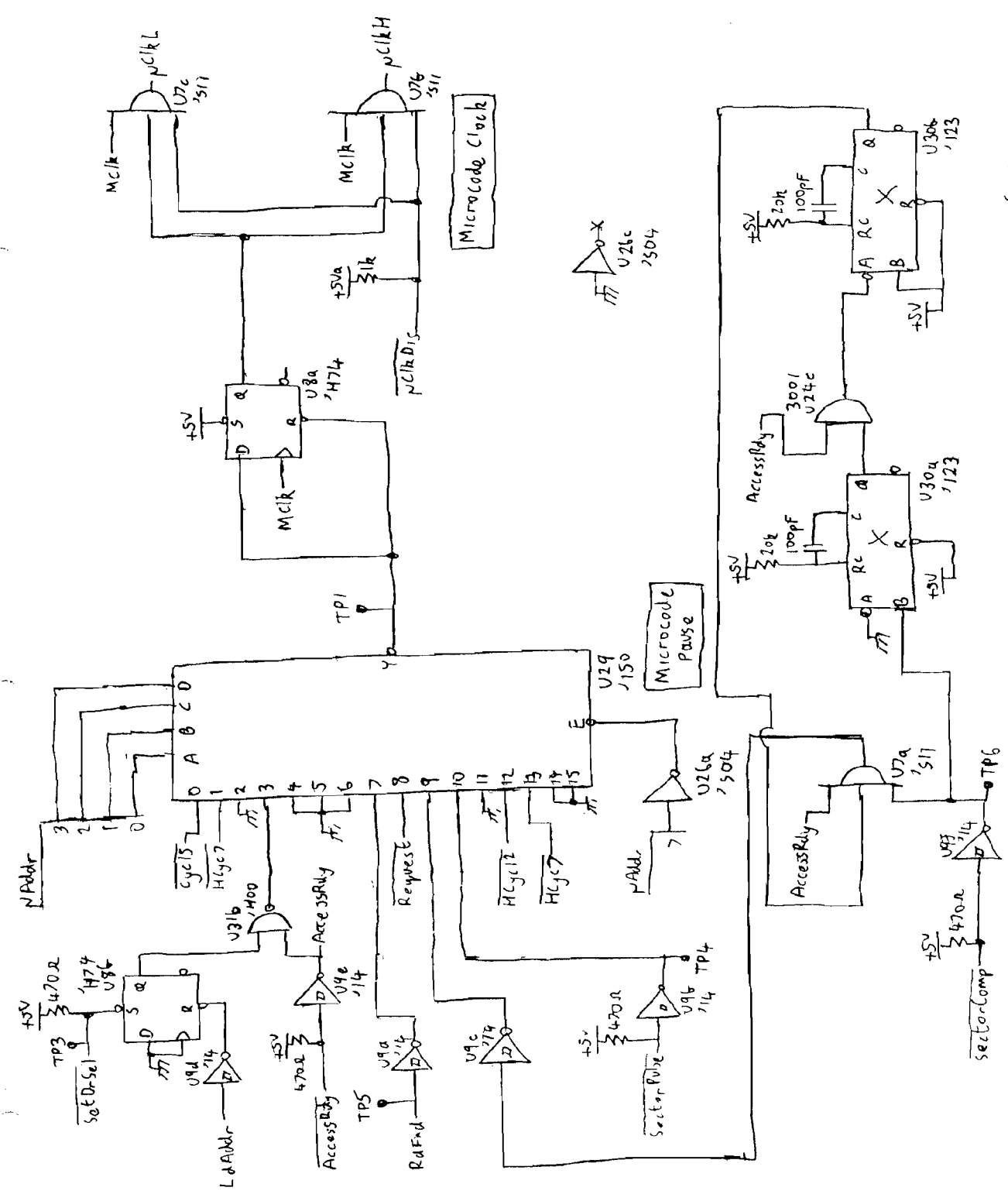


HP 11305 ROM PCB sheet ①

11305-66503 (Or)

Test Connector

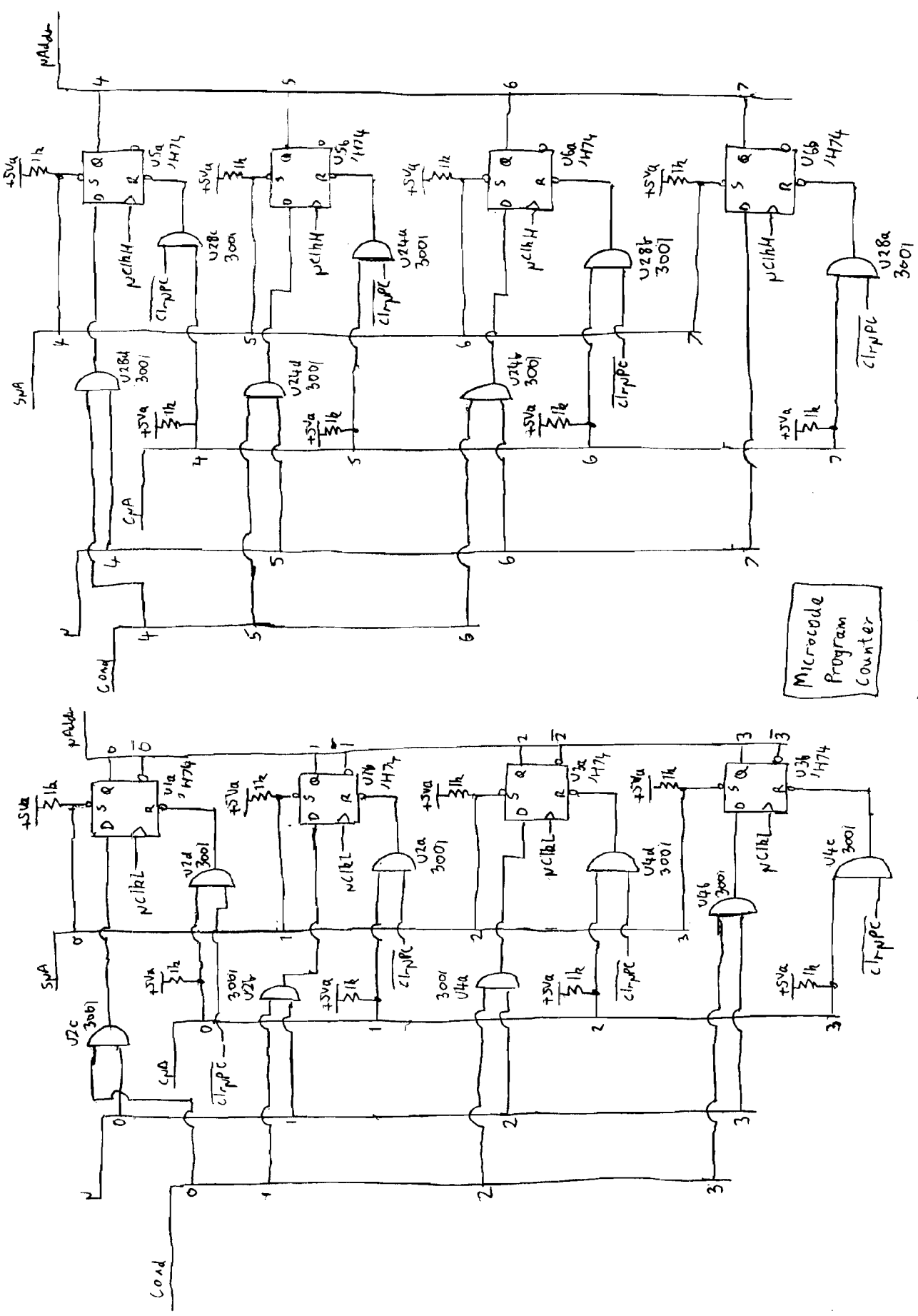


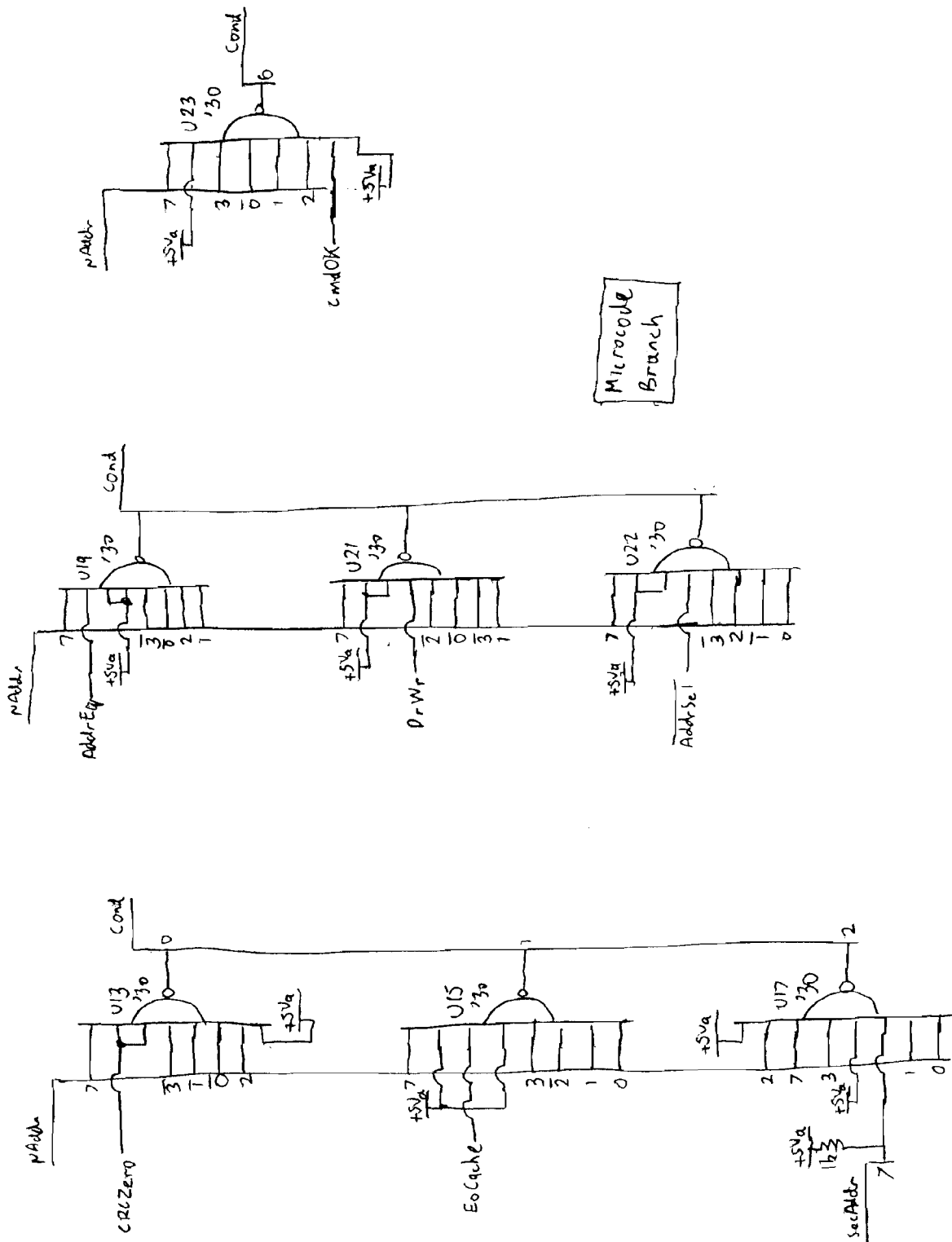


11305-66503 (0-)

ROM PCB sheet (3)

HP11305

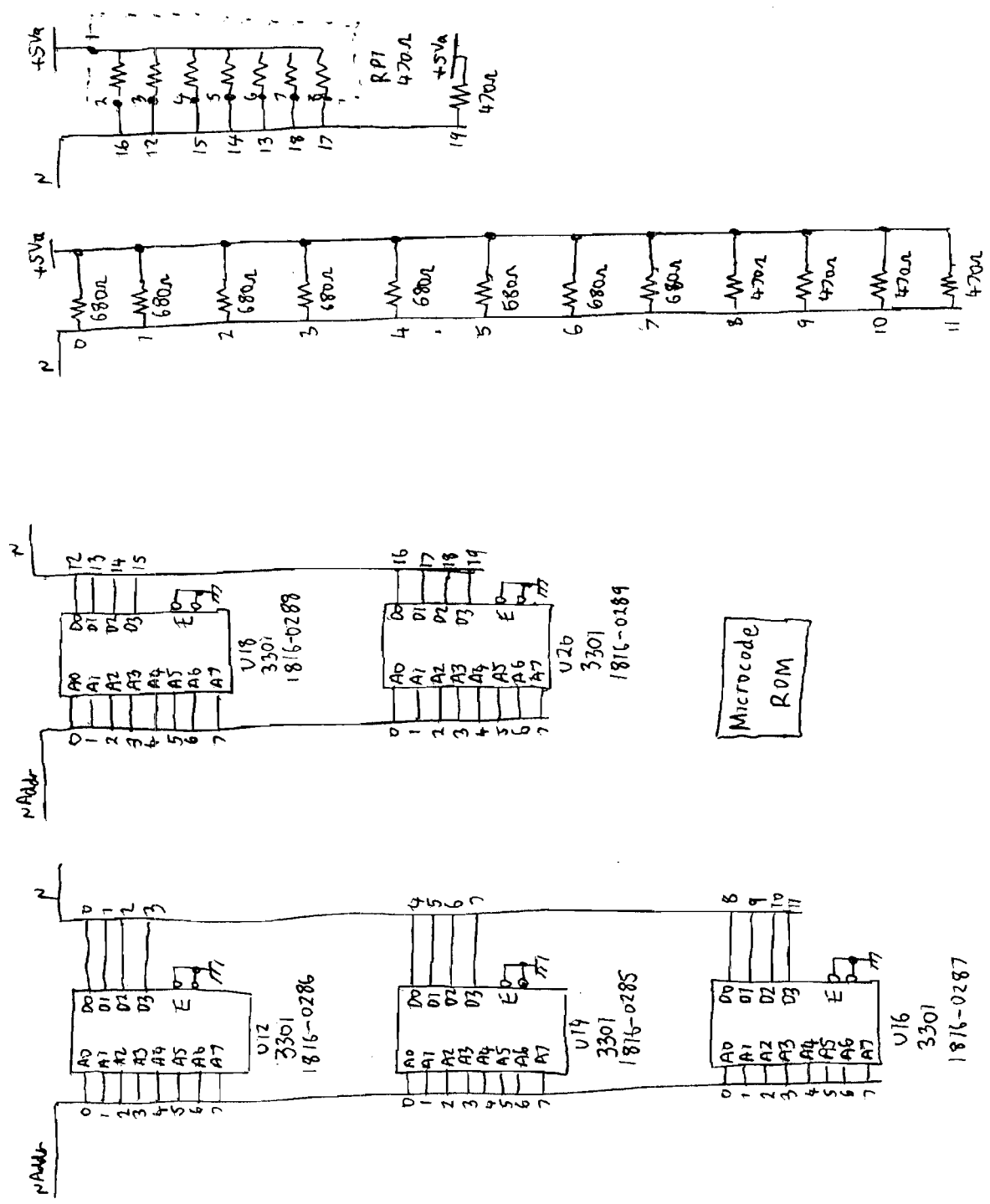




11305-66503 (or)

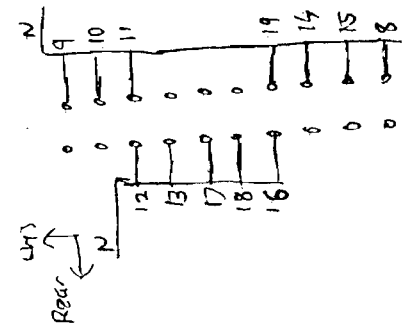
HP11305 ROM PCB Sheet 5



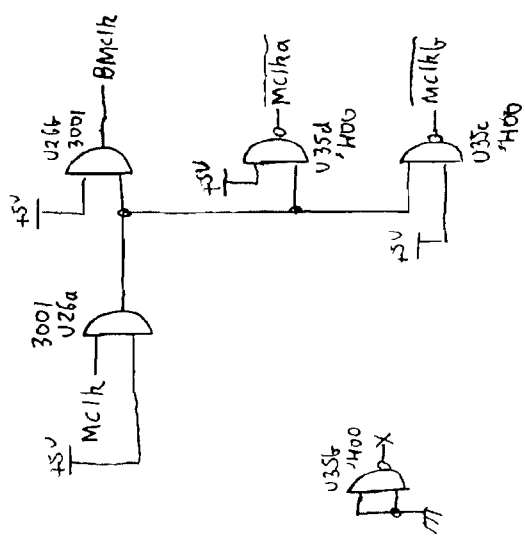
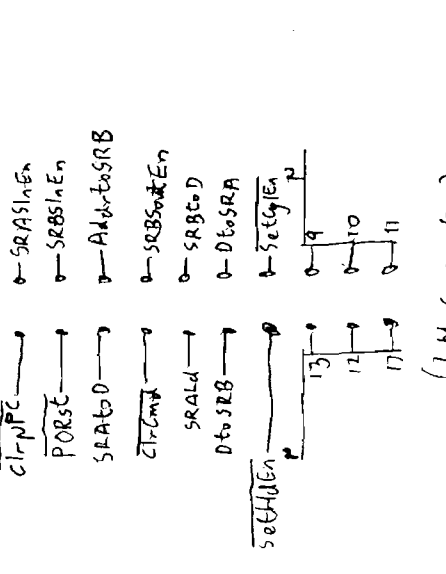
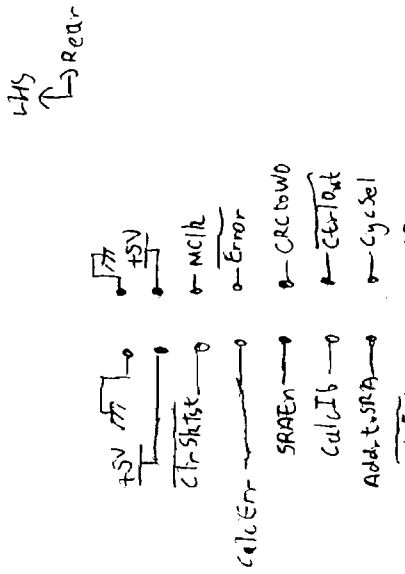
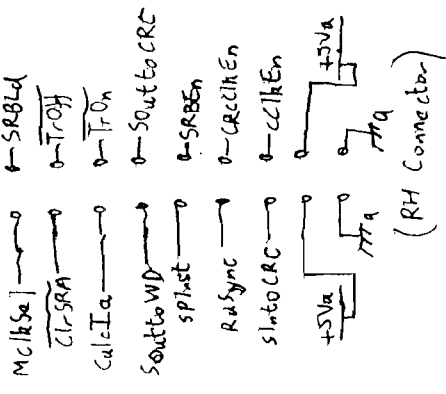
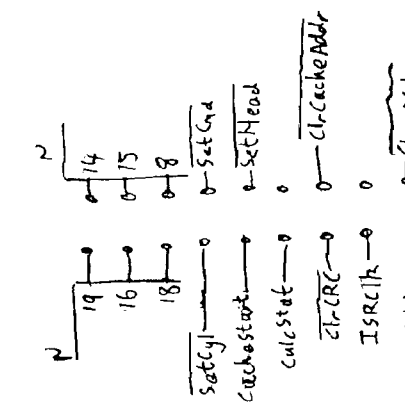


11305-66503 (0r)

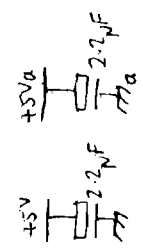
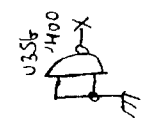
HP11305 ROM PCB sheet 6



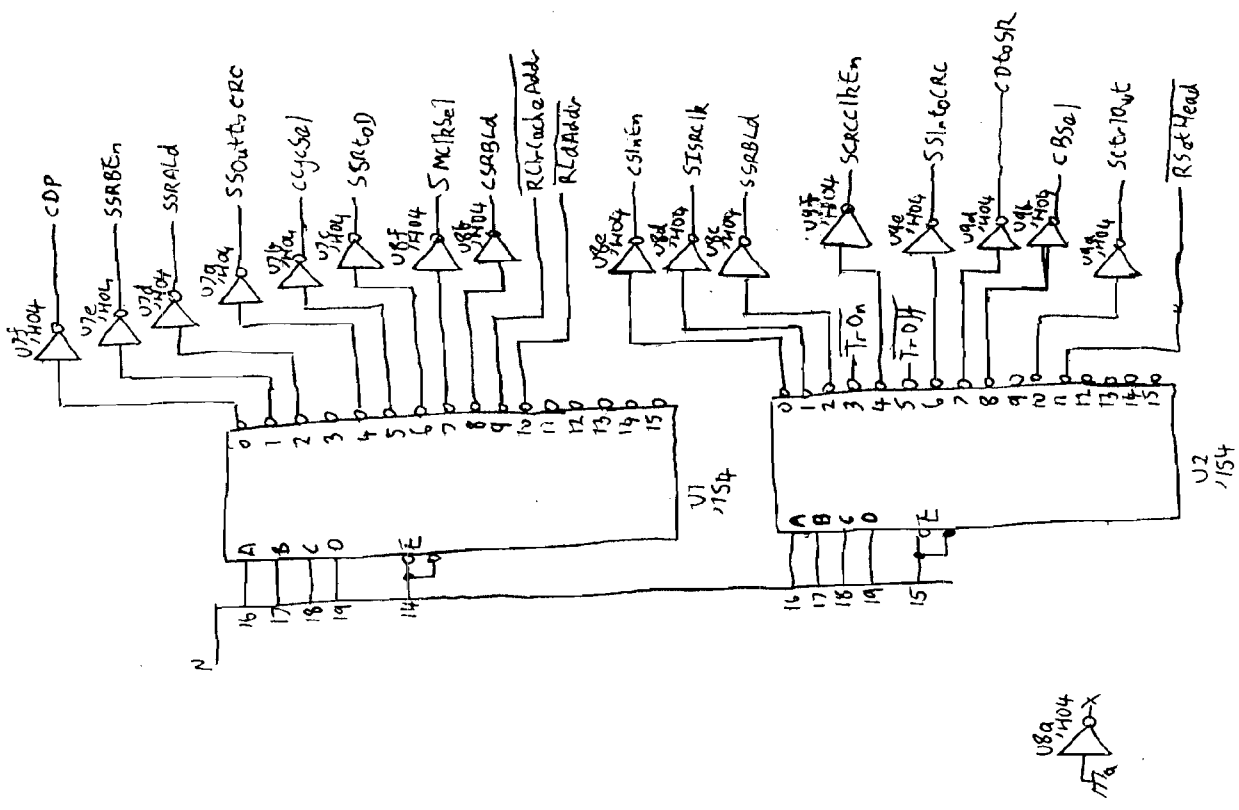
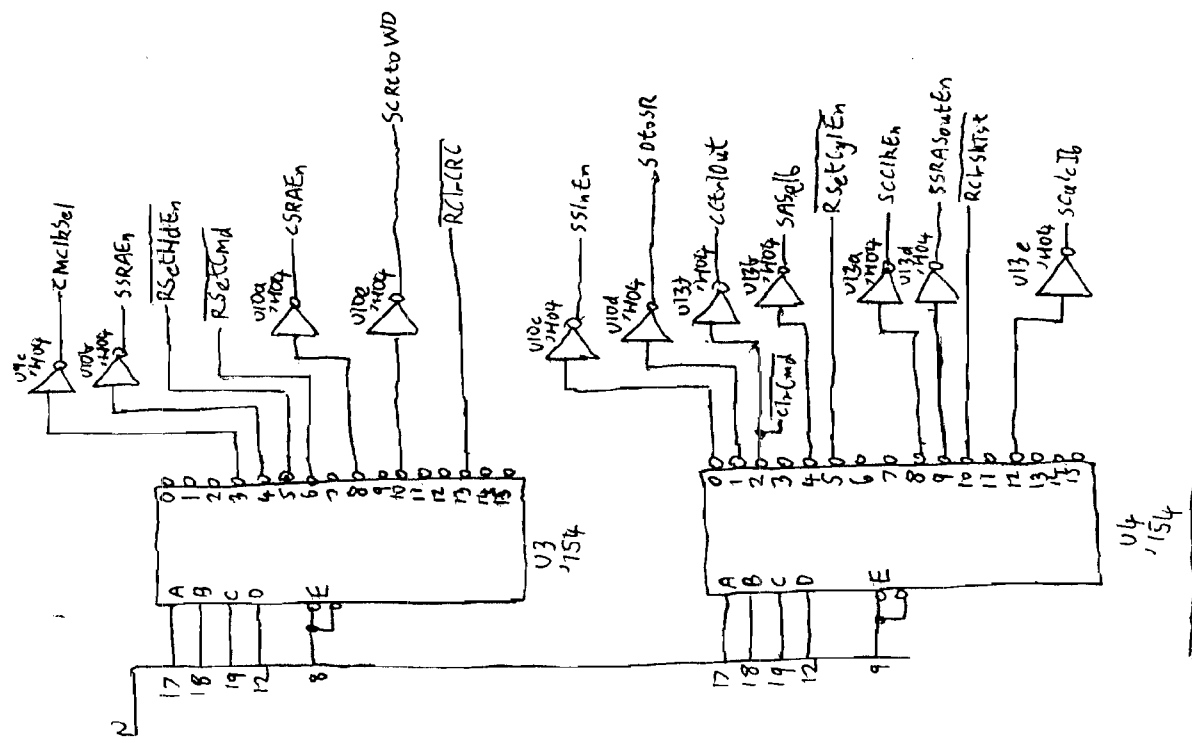
Test Connector

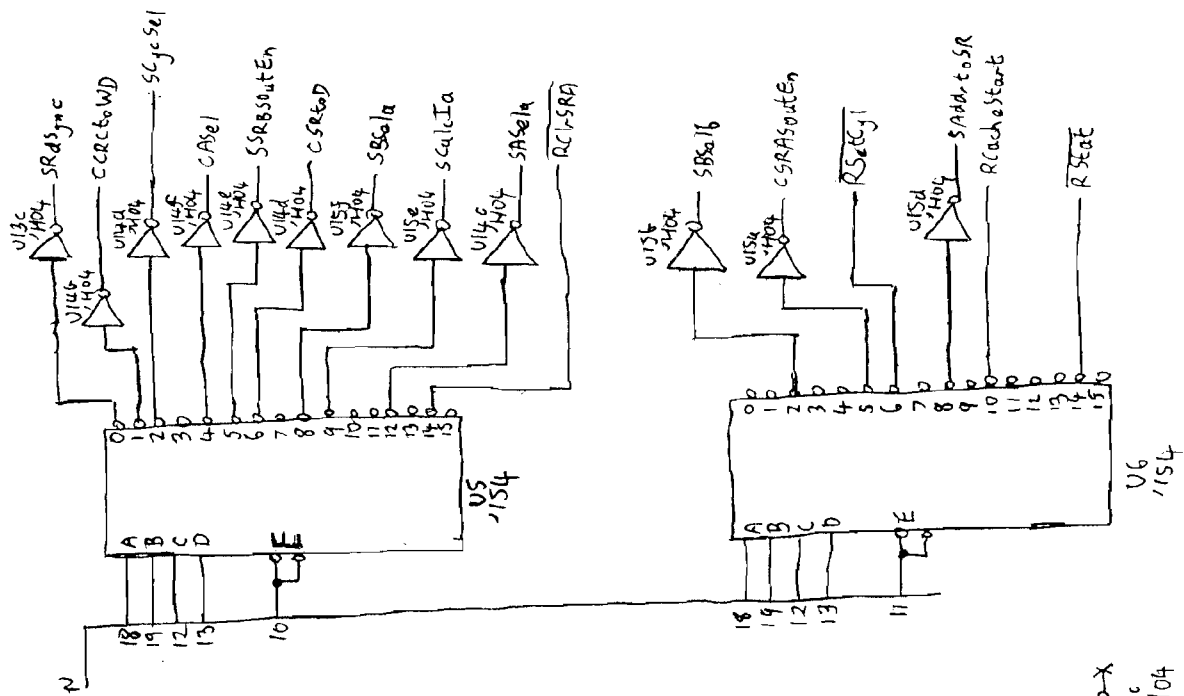


Clock Buffer

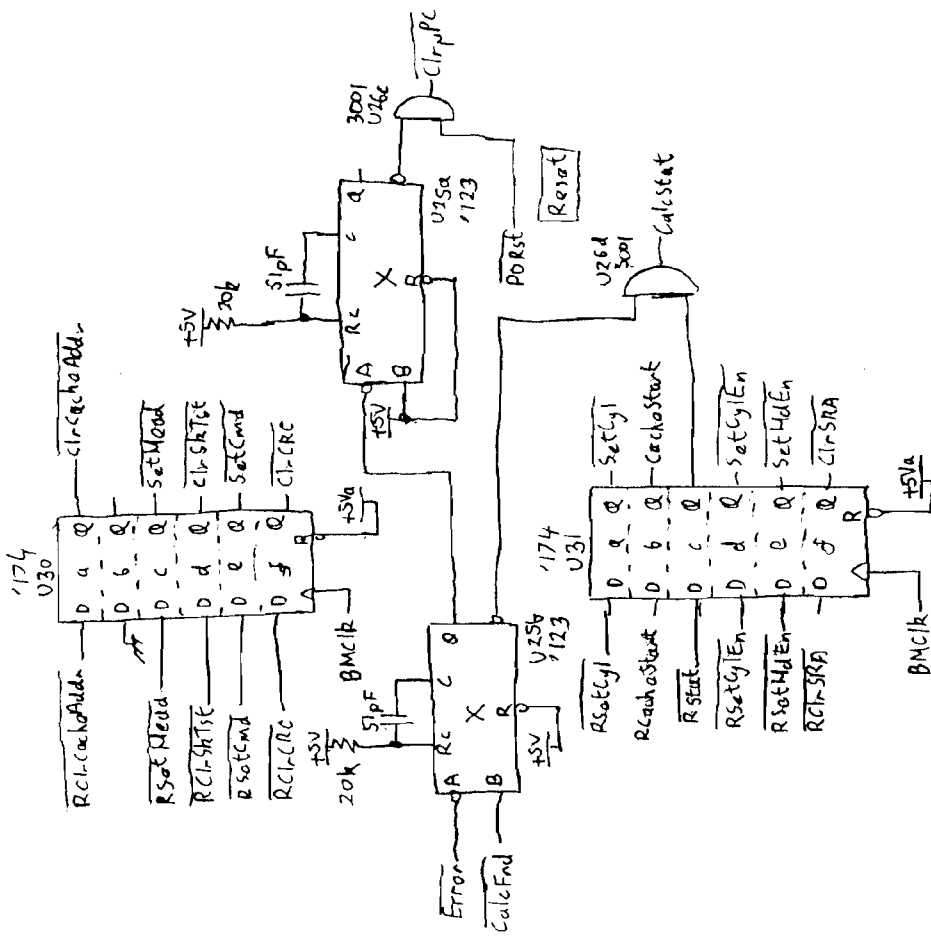


HP 11305-66504 (Y)



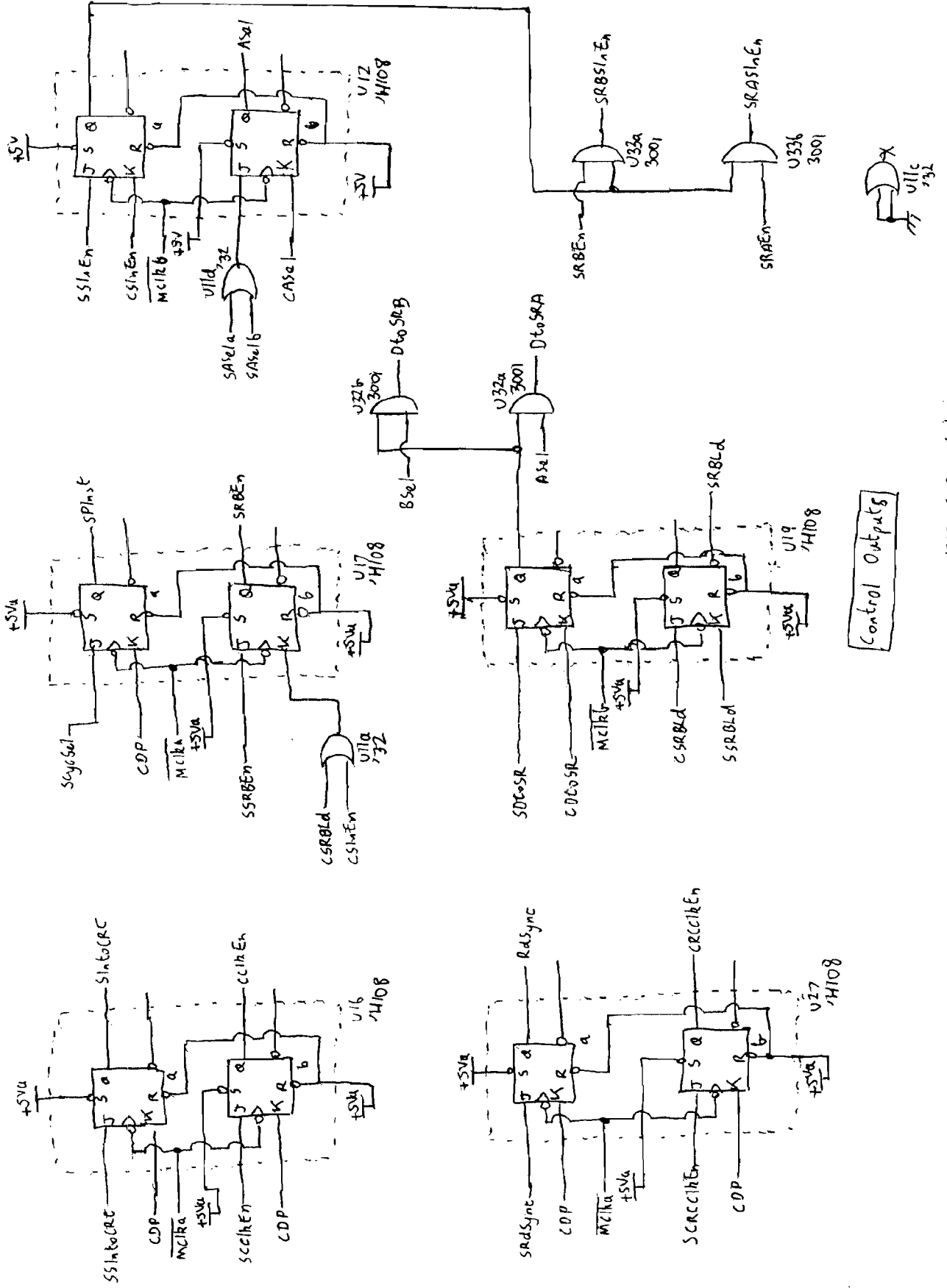


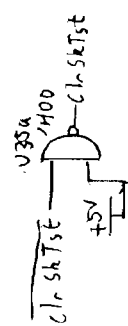
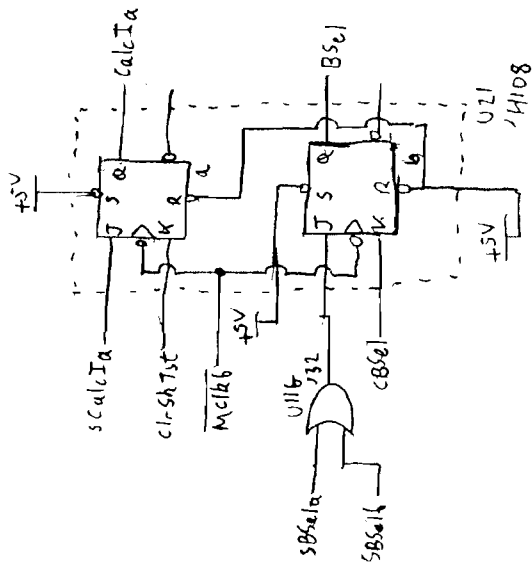
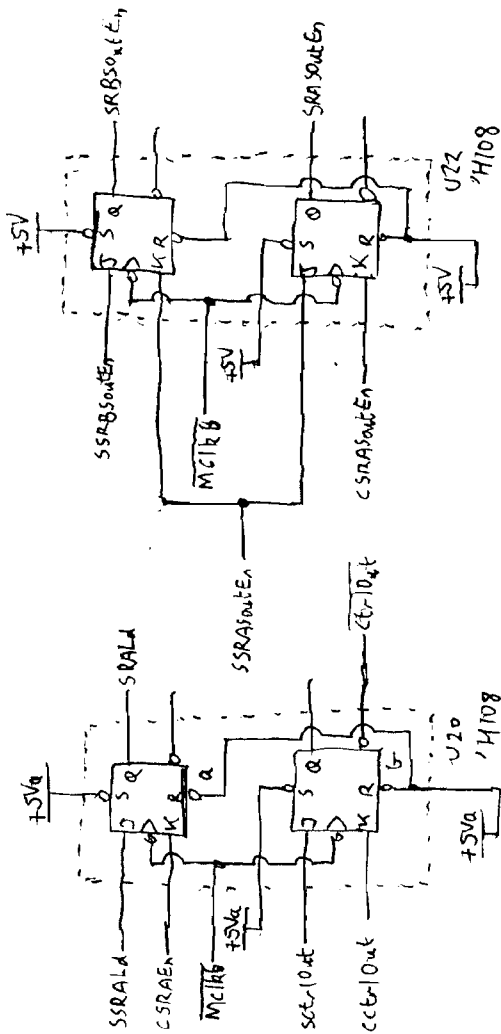
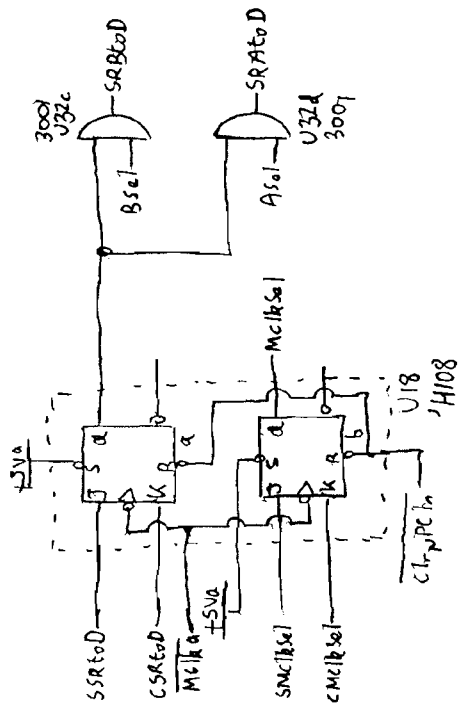
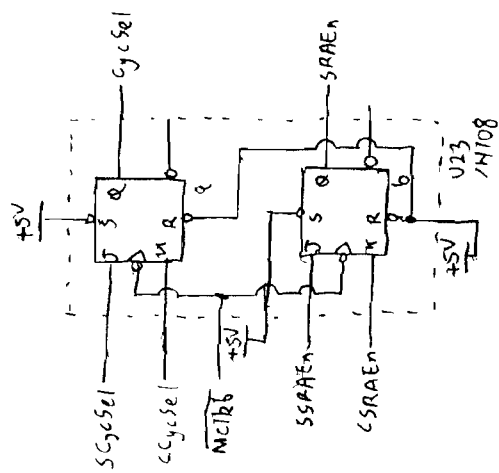
Instruction Decoder



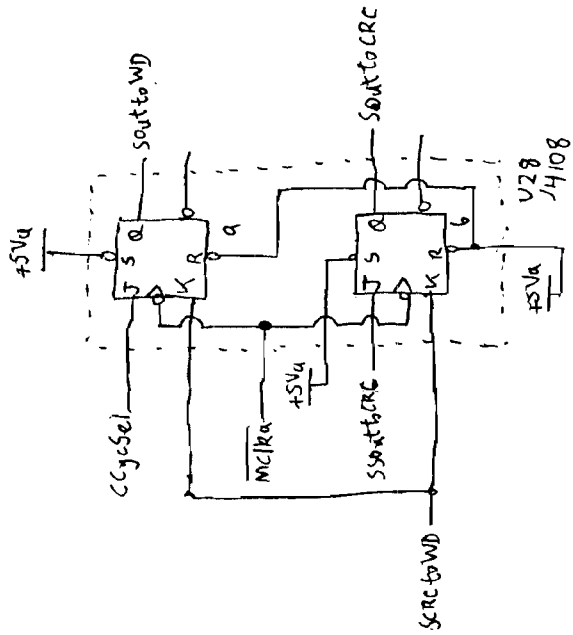
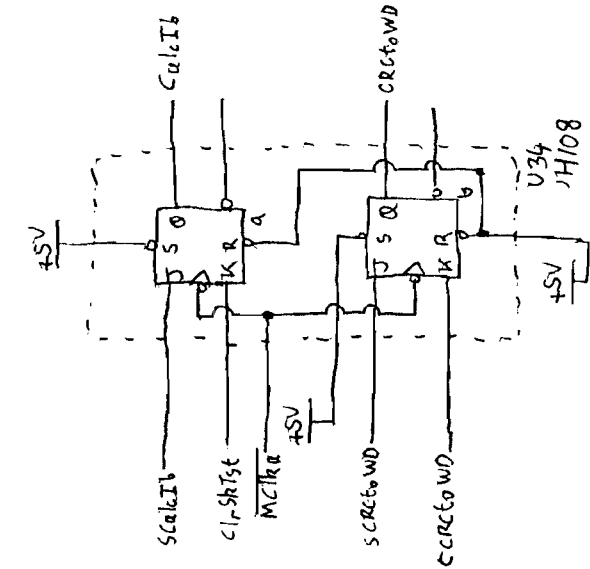
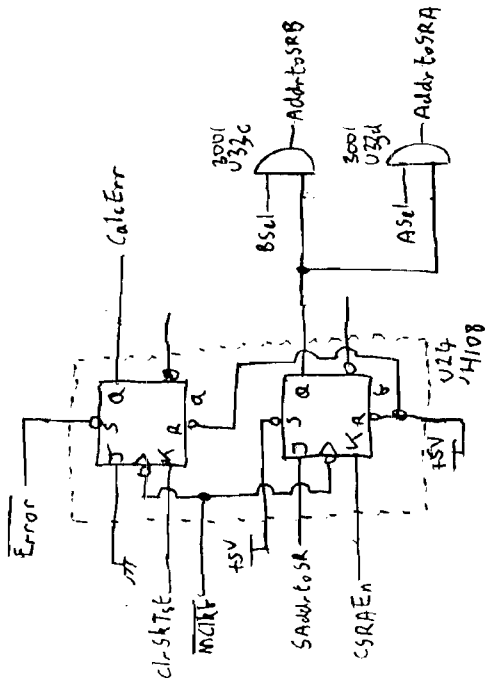
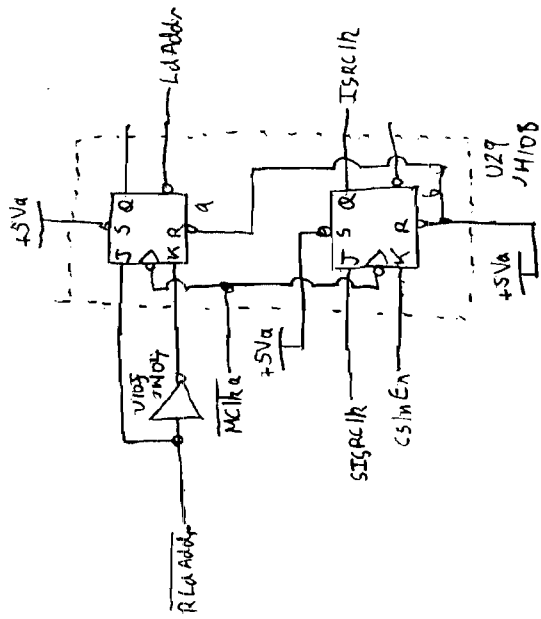
Pulse Outputs

11305-66504 (Y)



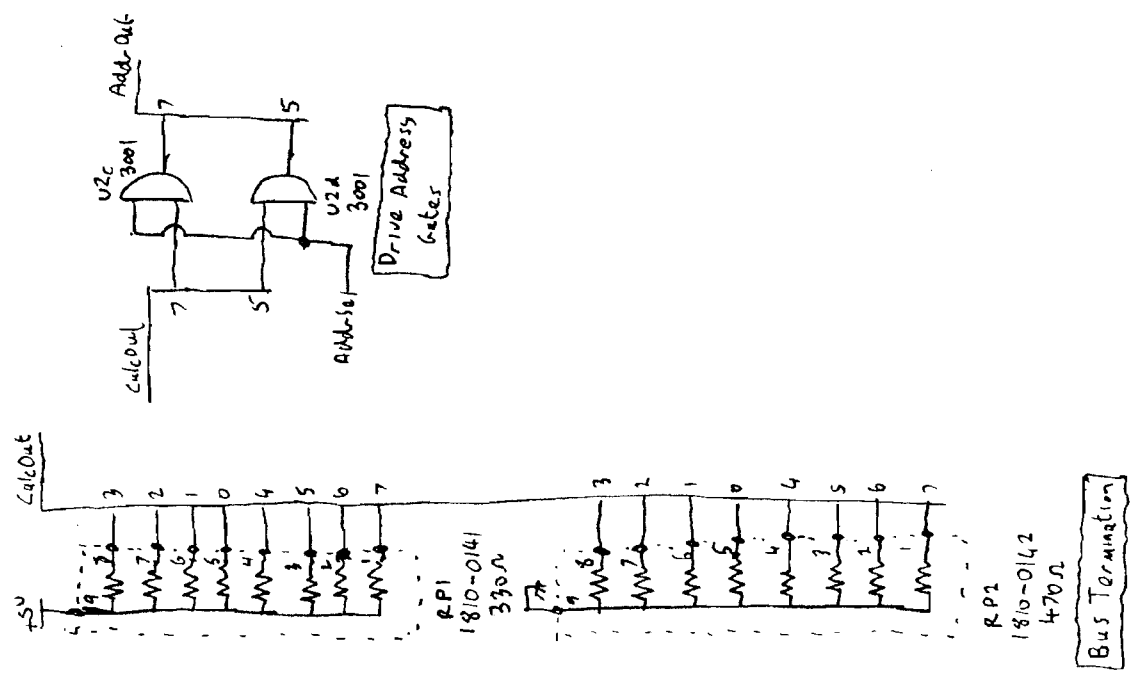
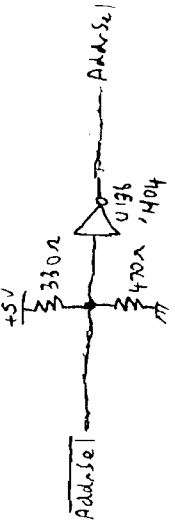
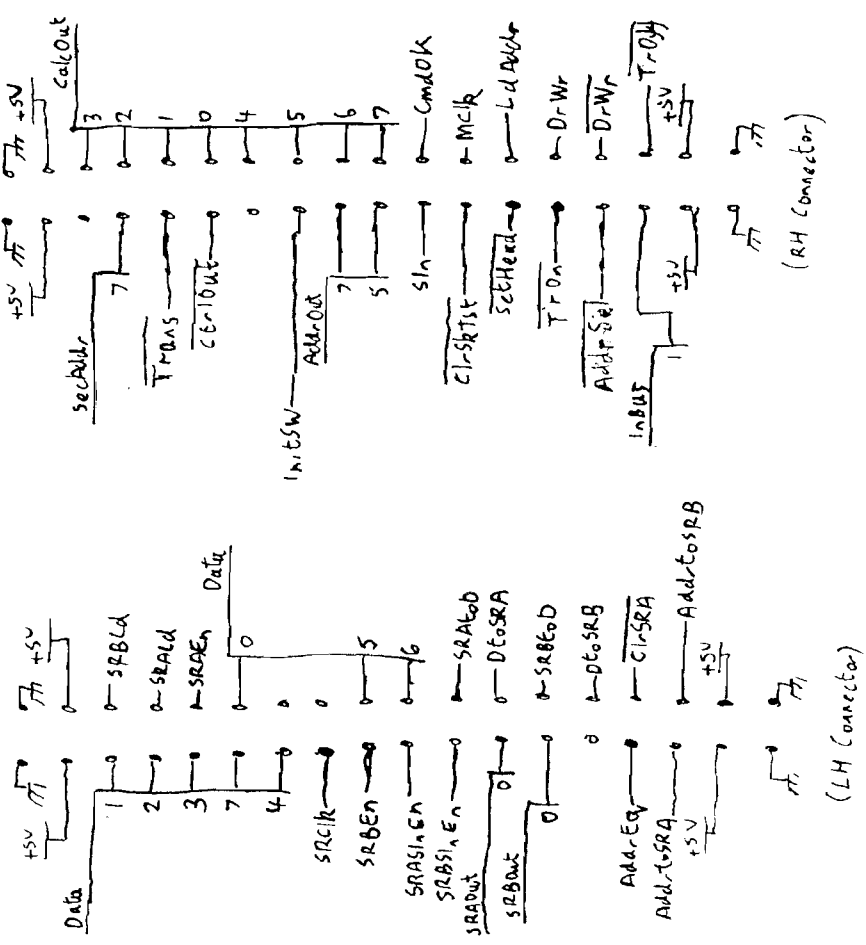


Control Outputs

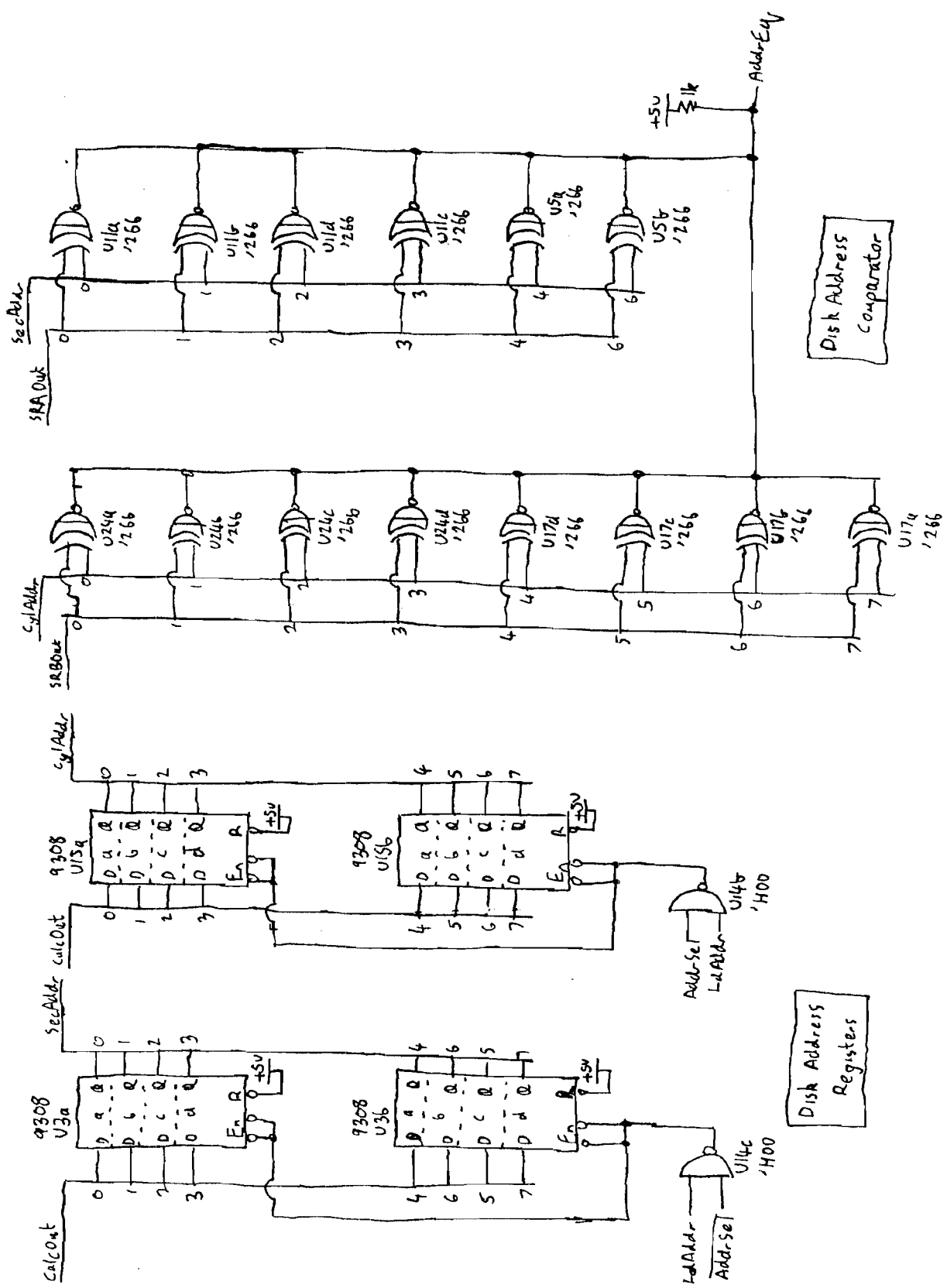


Control Outputs

LHS  
Rear

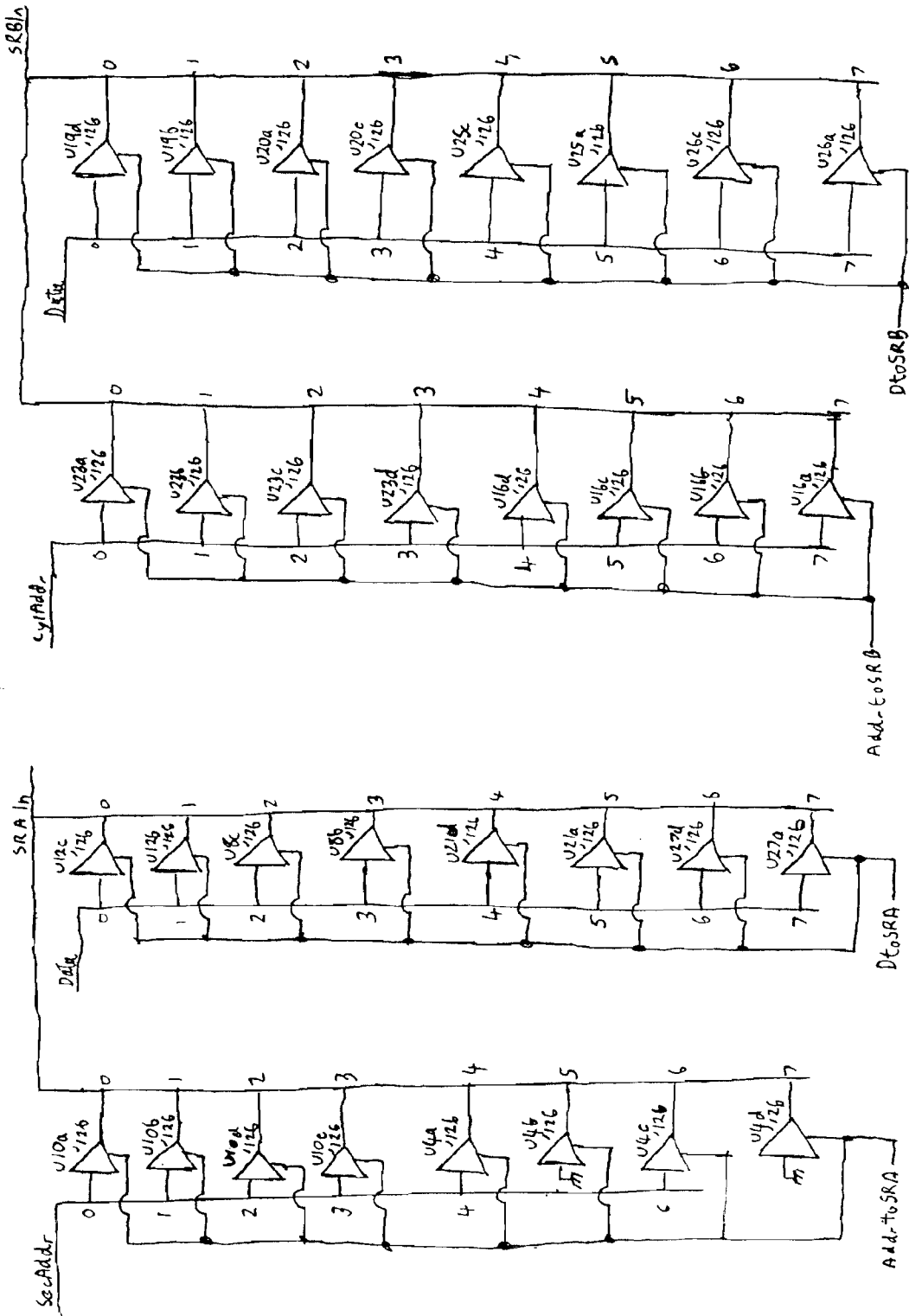




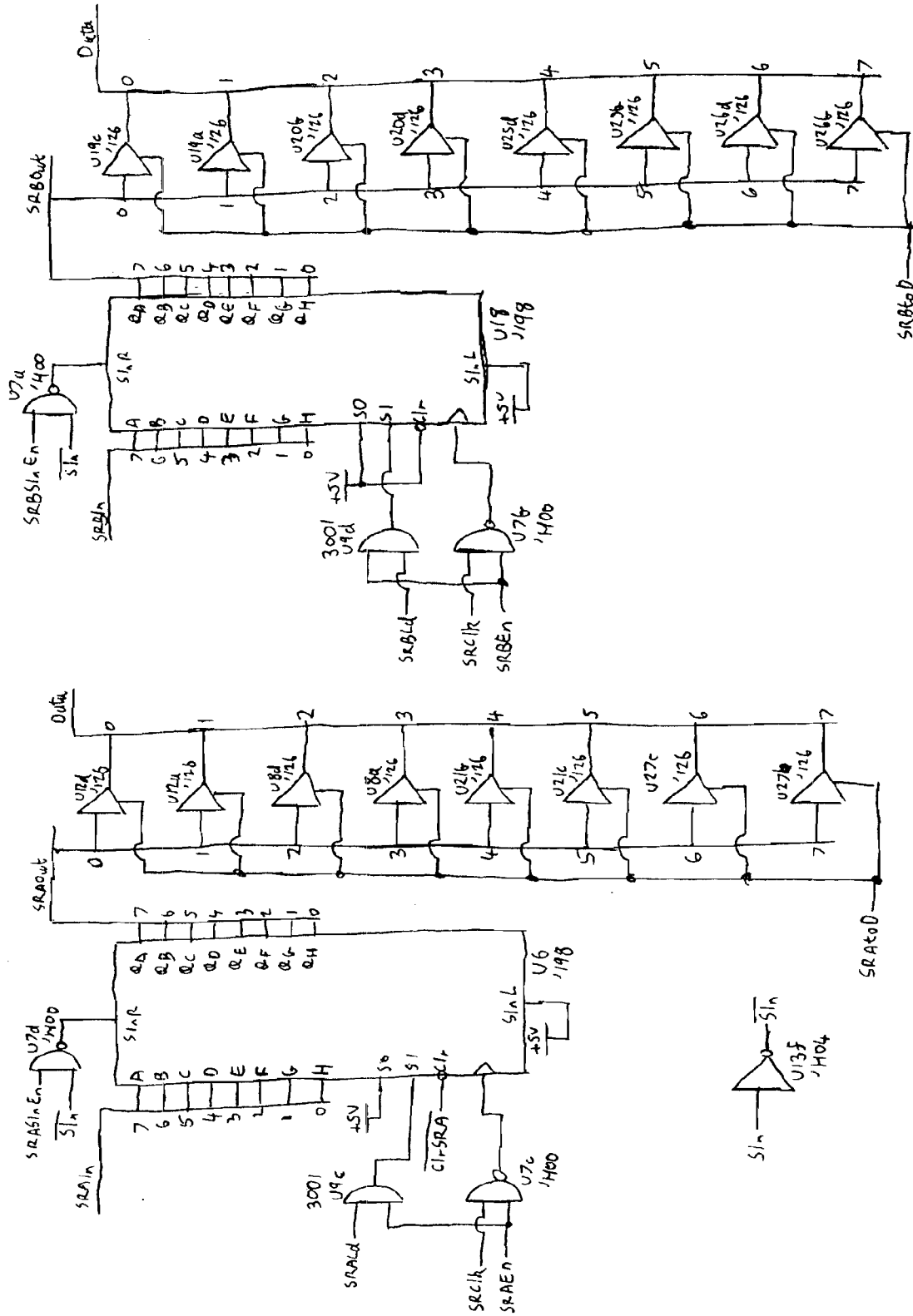


Disk Address  
Comparator

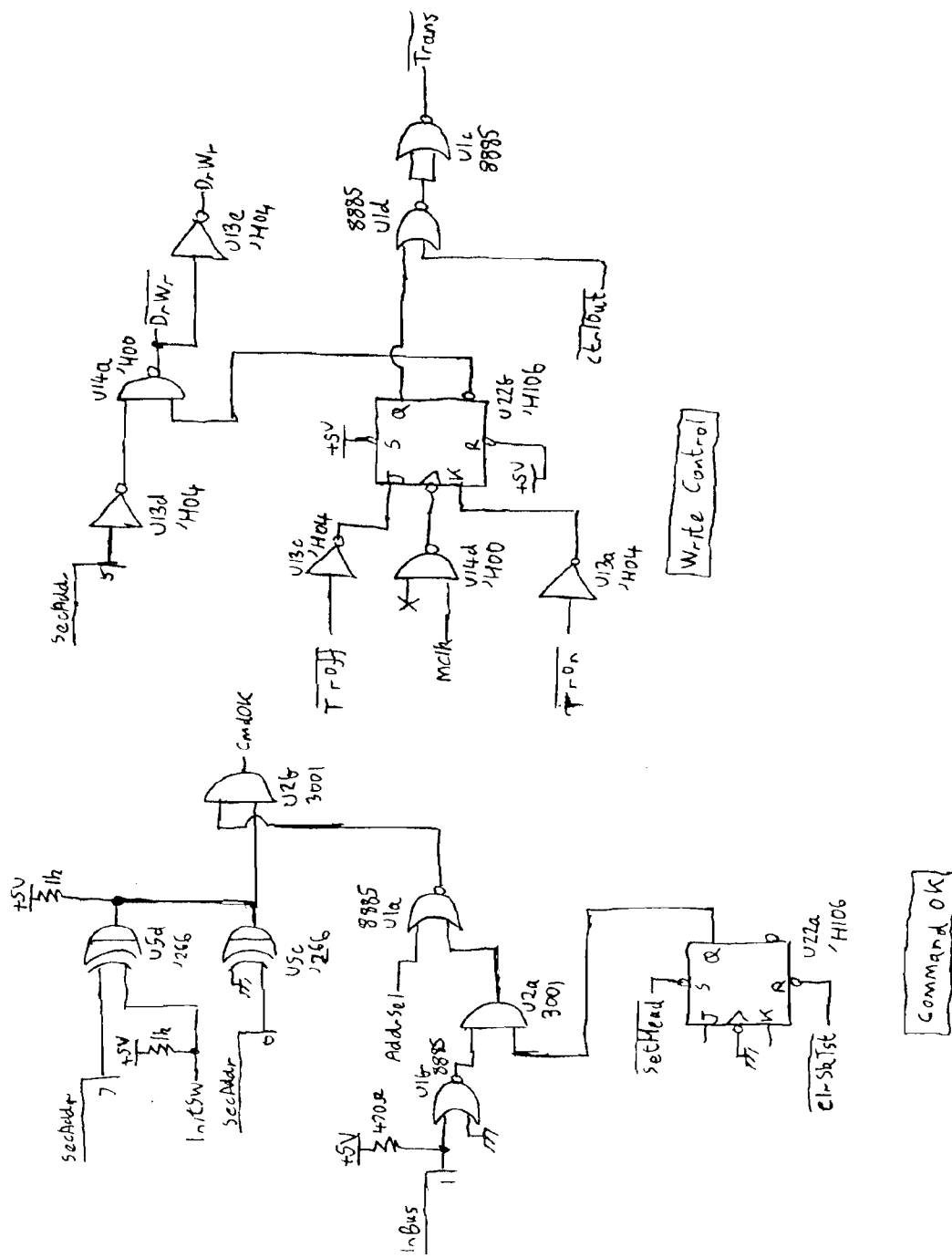
Disk Address  
Registers



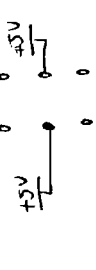
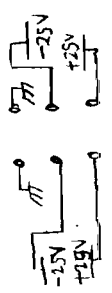
Shift Register Input Multiplexer



Data Shift Register



LHS  
↑ Rear



Rack

R/W2

R/W1

RdFnd

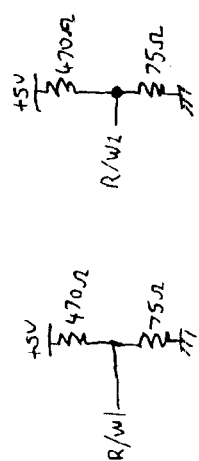
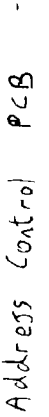
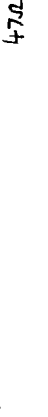
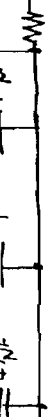
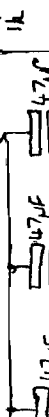
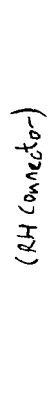
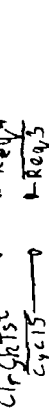
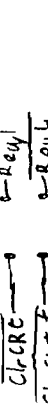
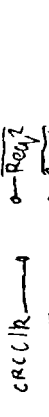
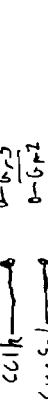
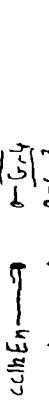
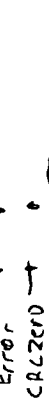
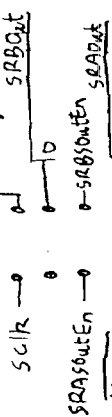
Slh

WDTime

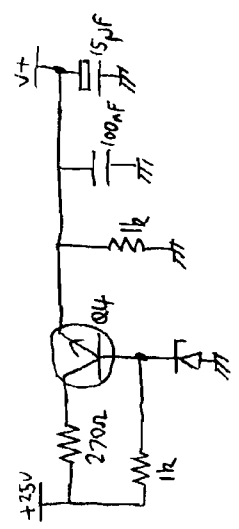
Mclk

CRct0WD

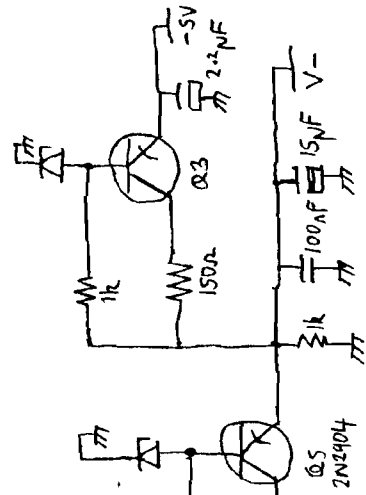
Sout0WD



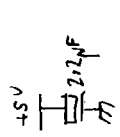
Drive Data Termination



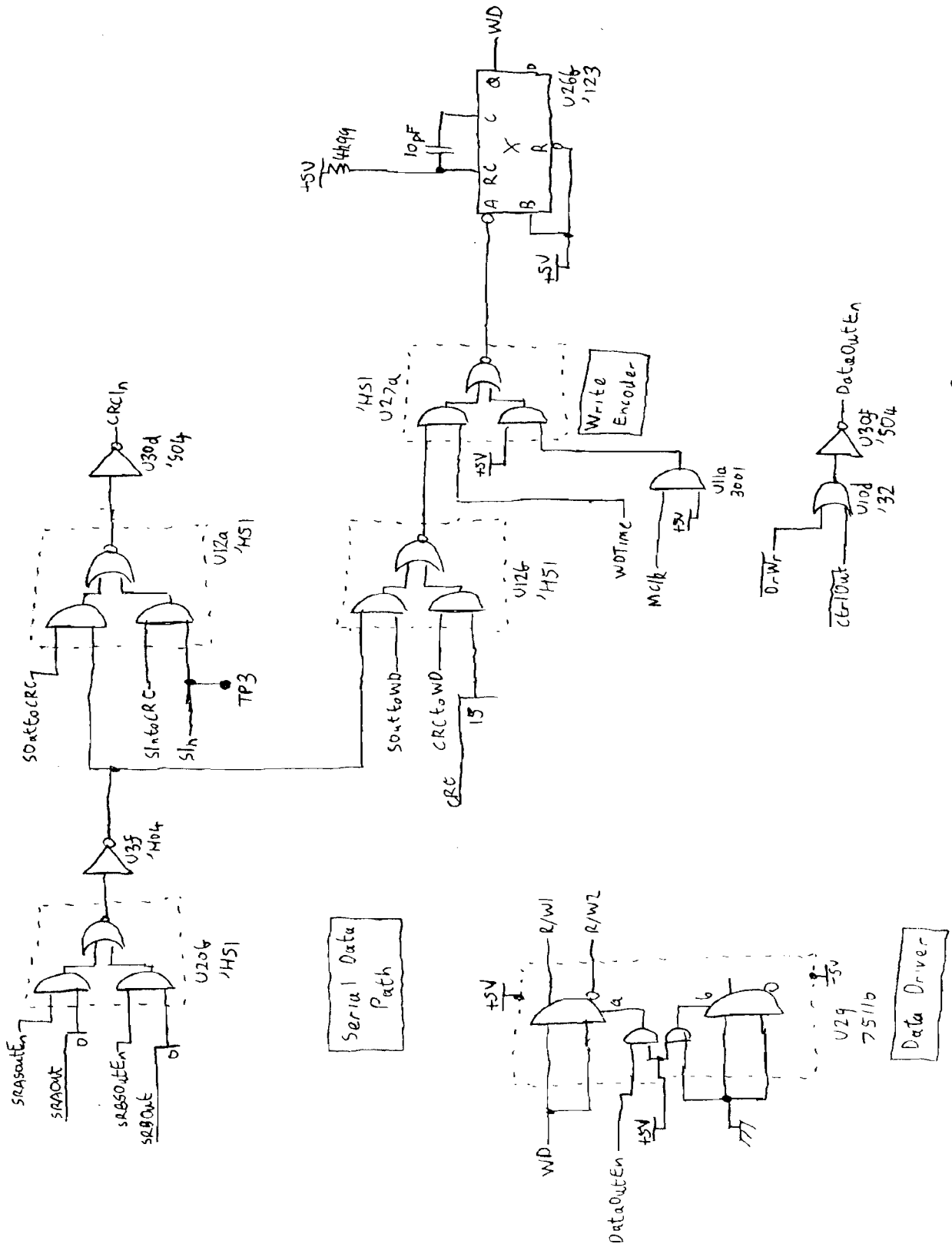
PSU Regulators

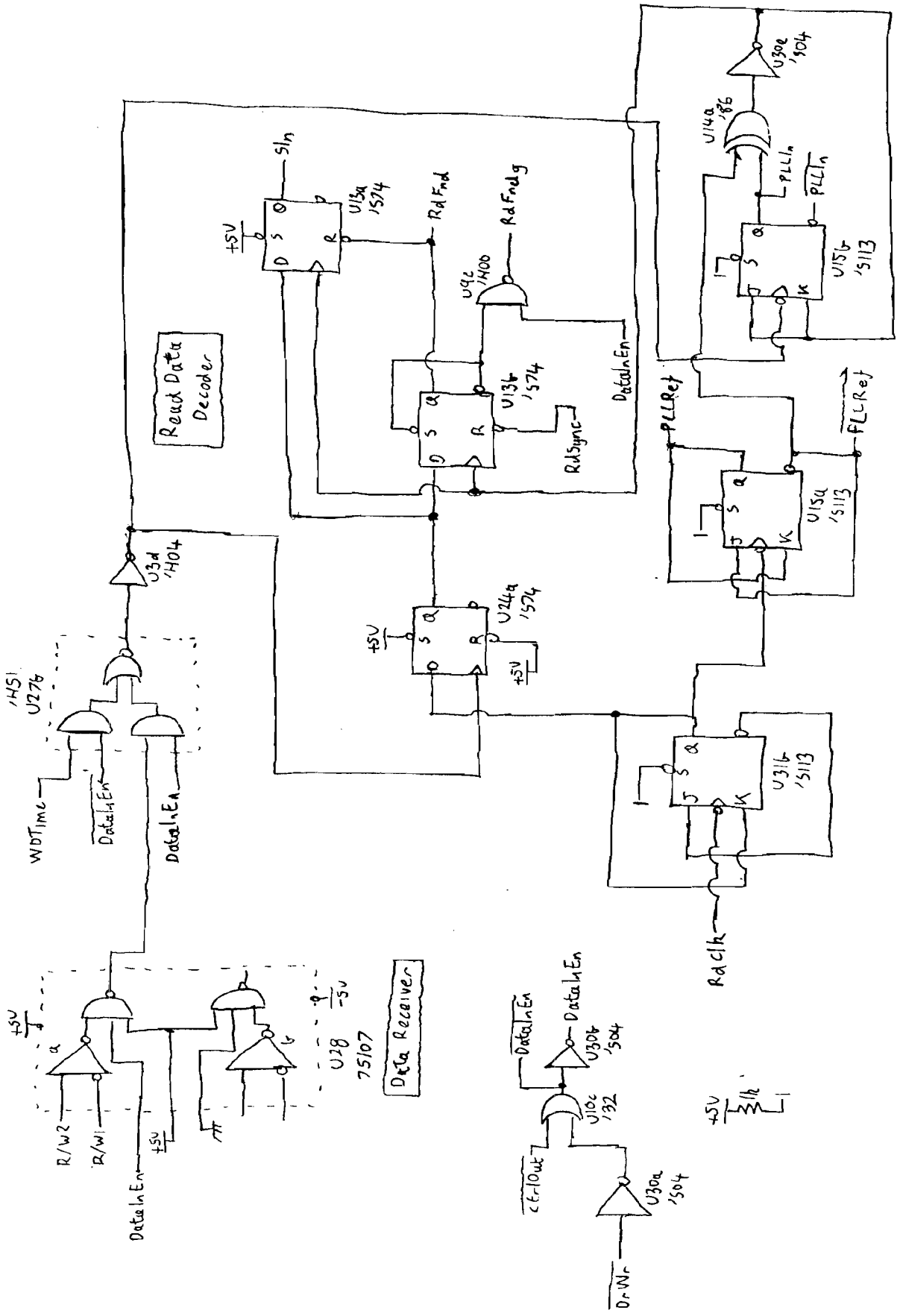


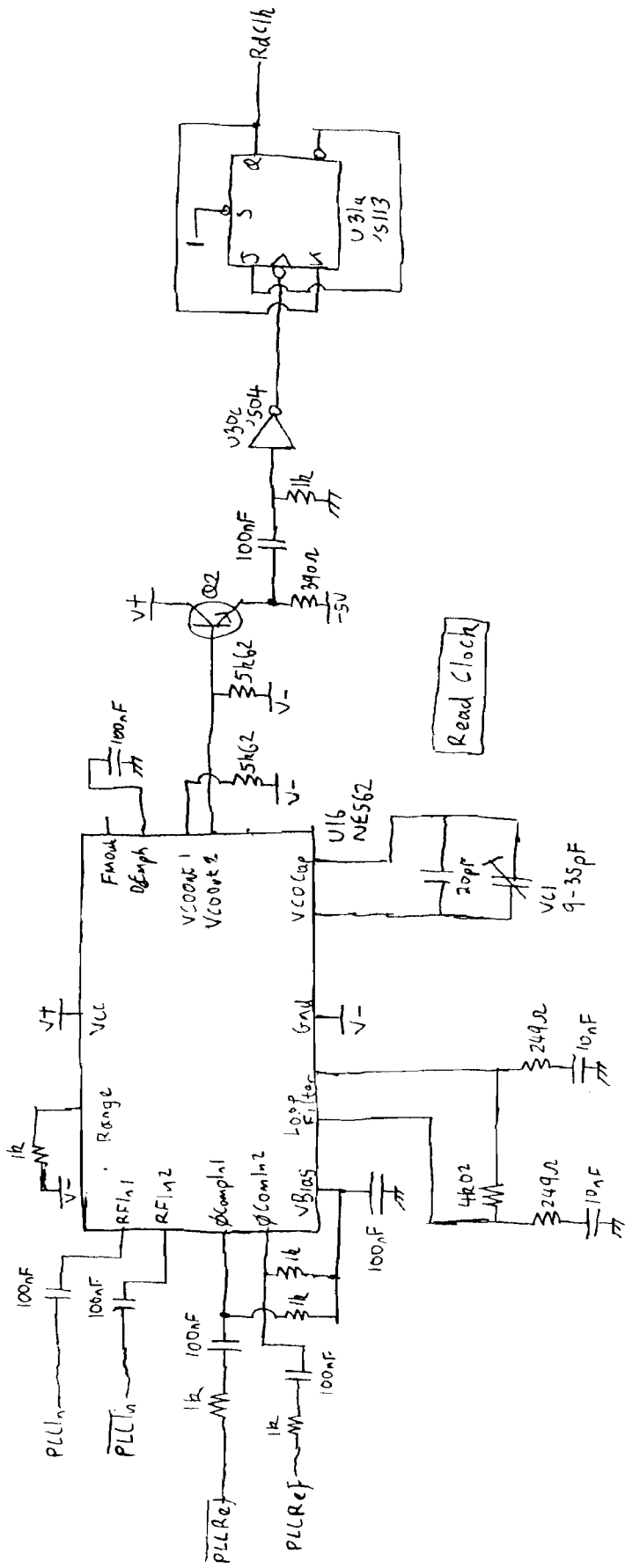
(L4 Connector)



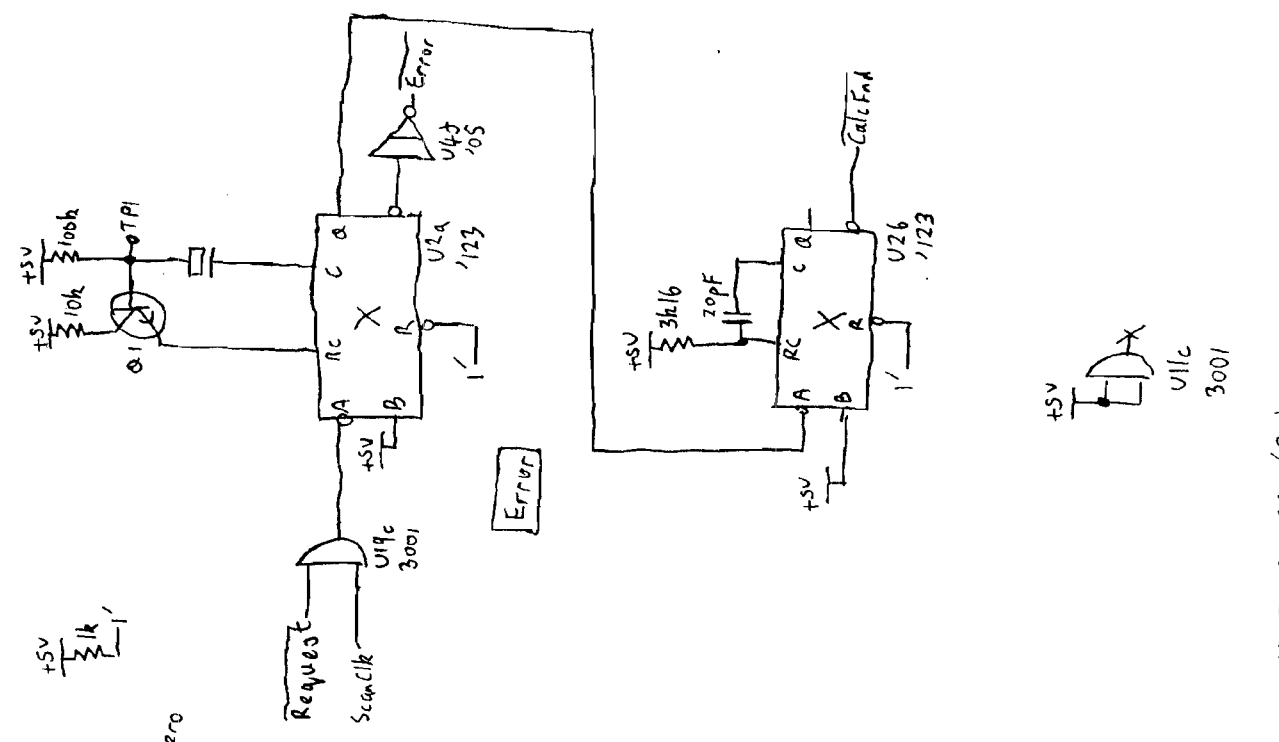
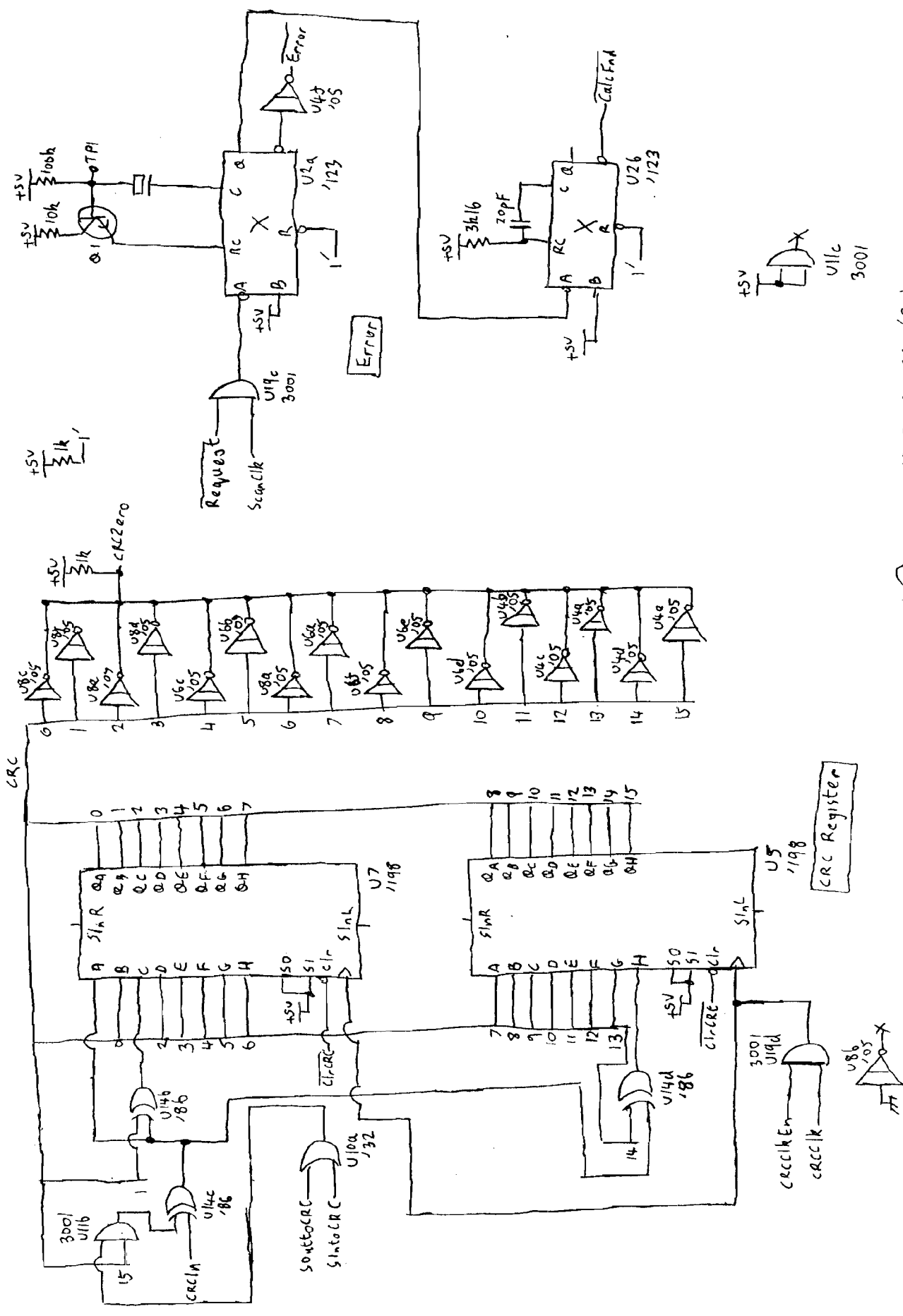
TP2





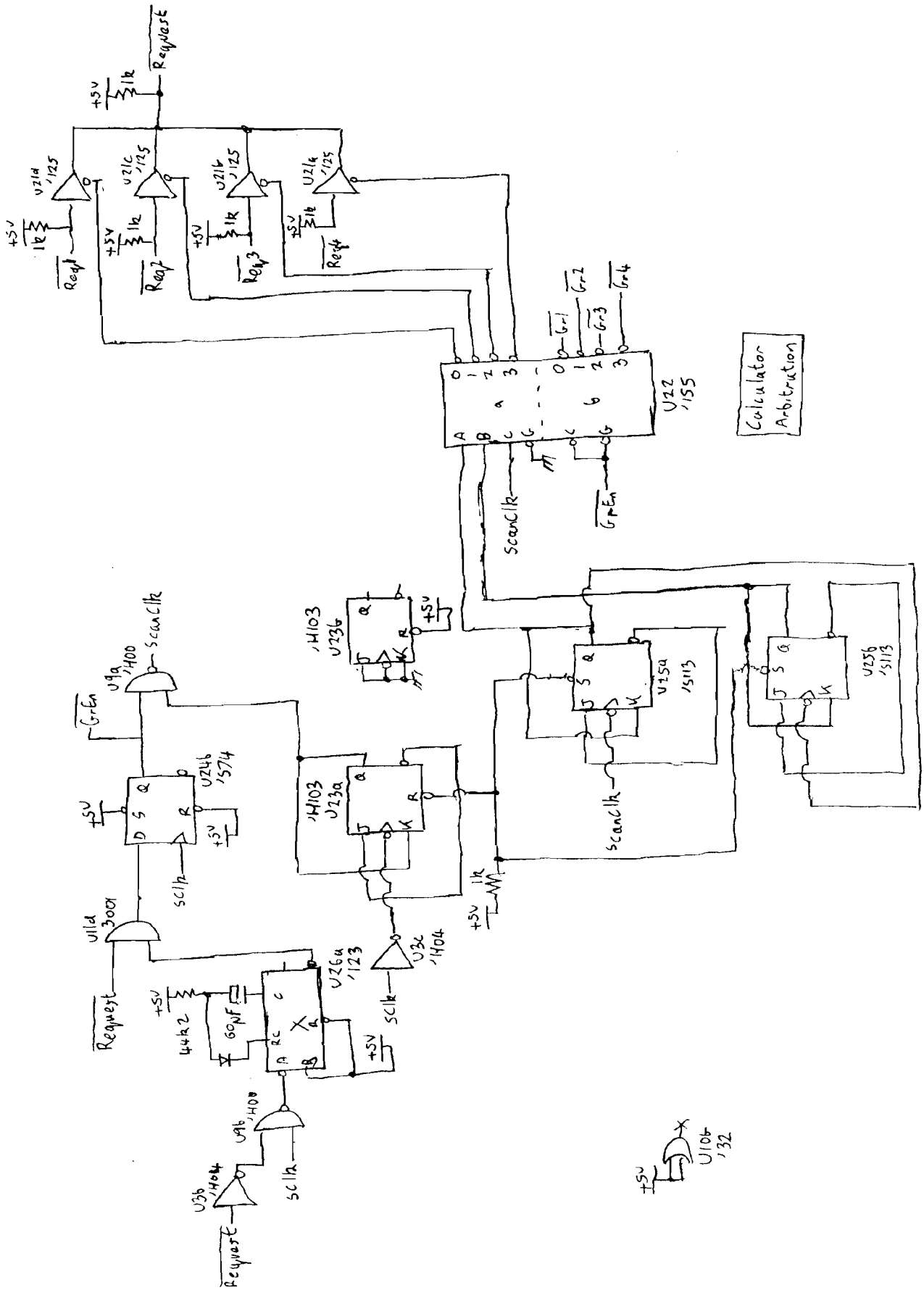






HP11305 Address Control PCB Sheet 5

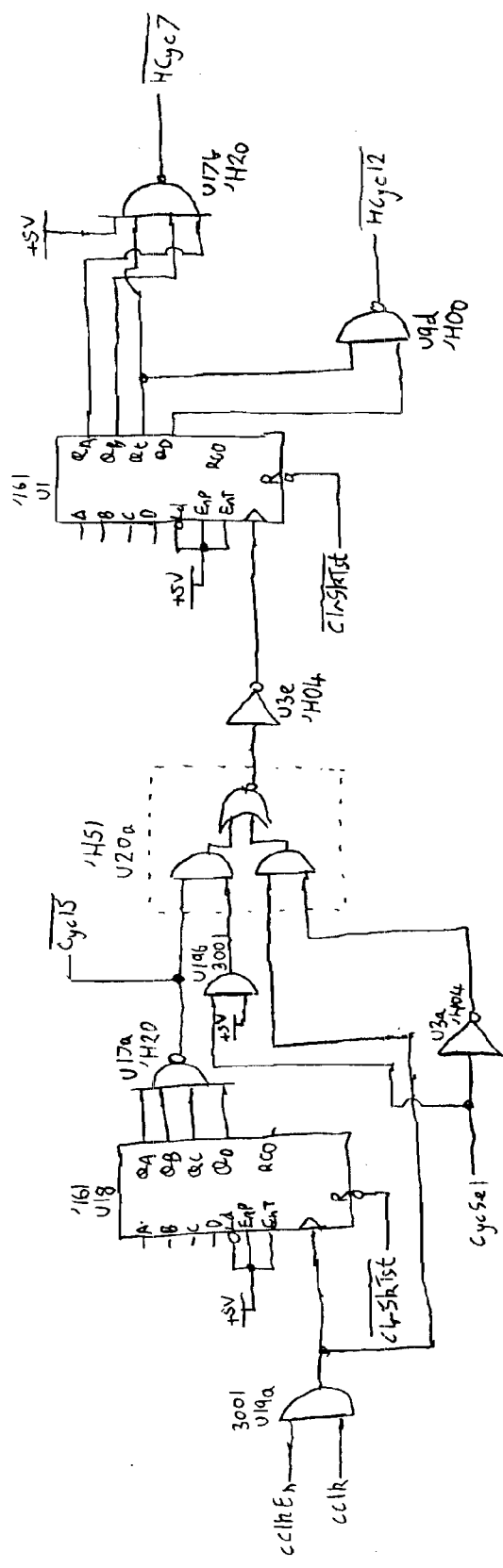
11305-66506 (Bu)



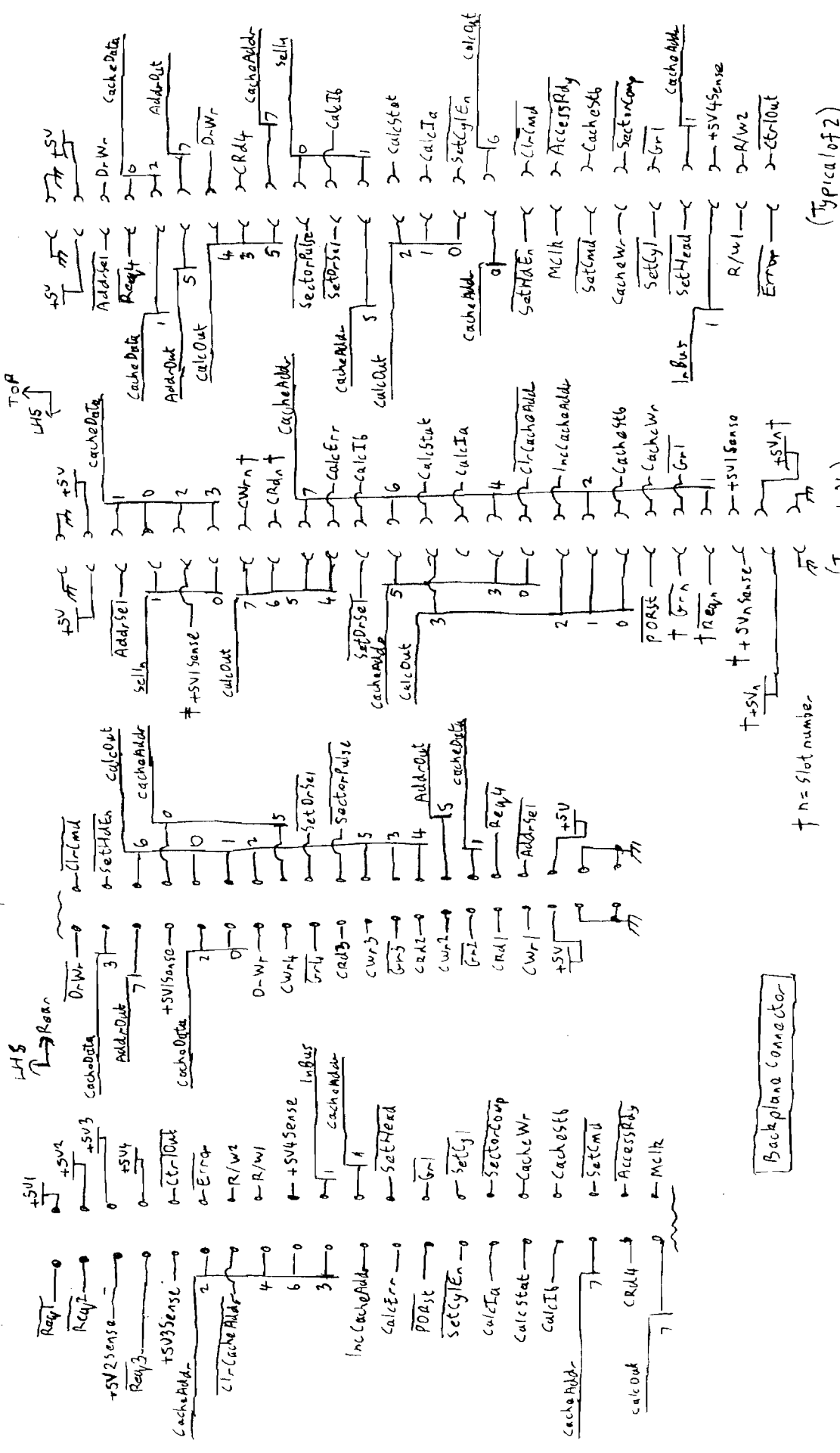
Calculator  
Arbitration

11305-66506 (Bu)

HP1130S Address Control PCB Sheet 6



Cycle Counter



TOP

Backplane Connector

† n = Slot number

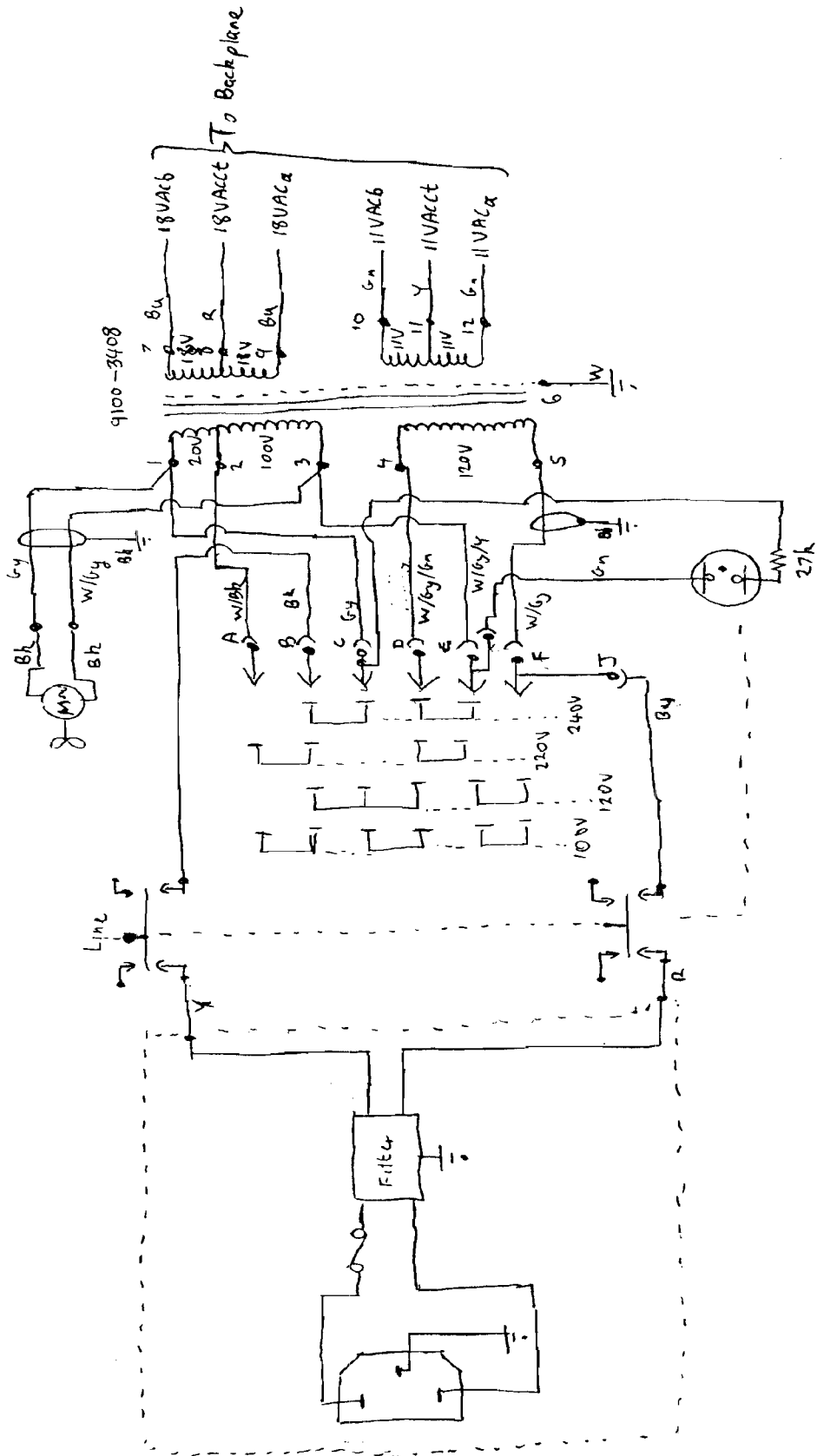
† Slot 4 only

(Typical of 3)

Calculator Module Connector

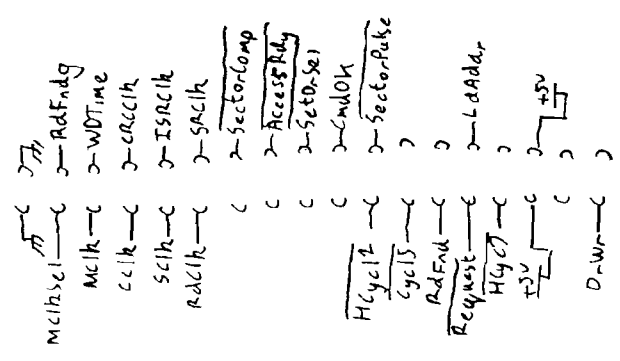
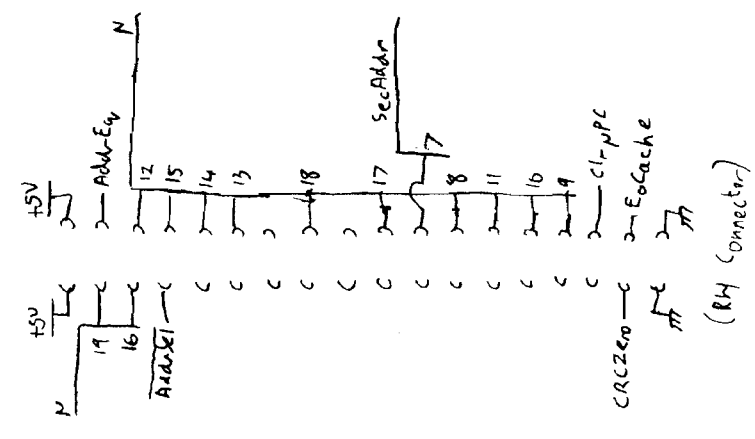
(Typical of 2)

Disk Module Connector

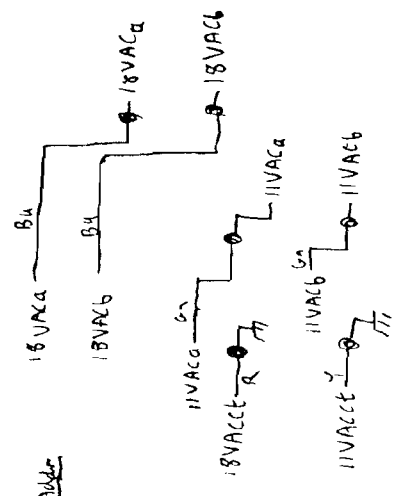
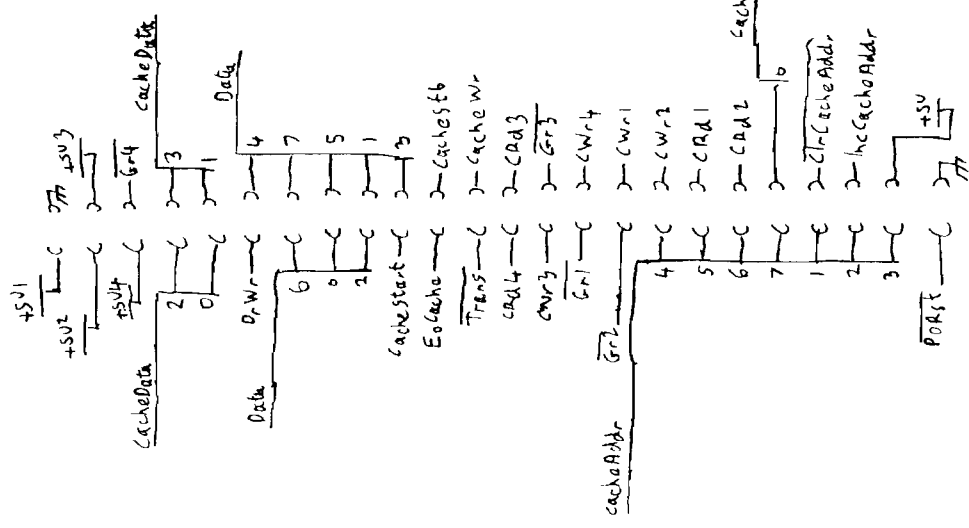
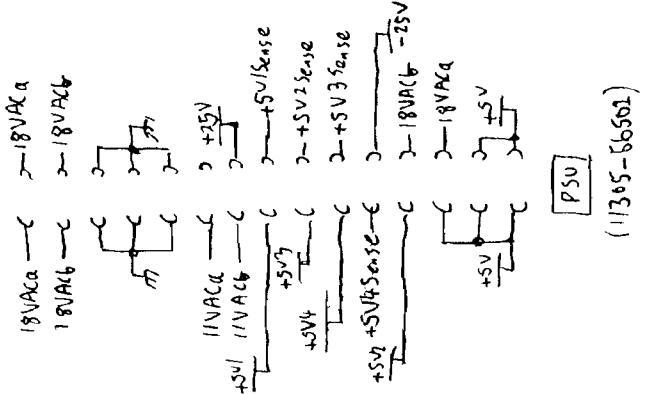


HP-1305 Transformer Wiring

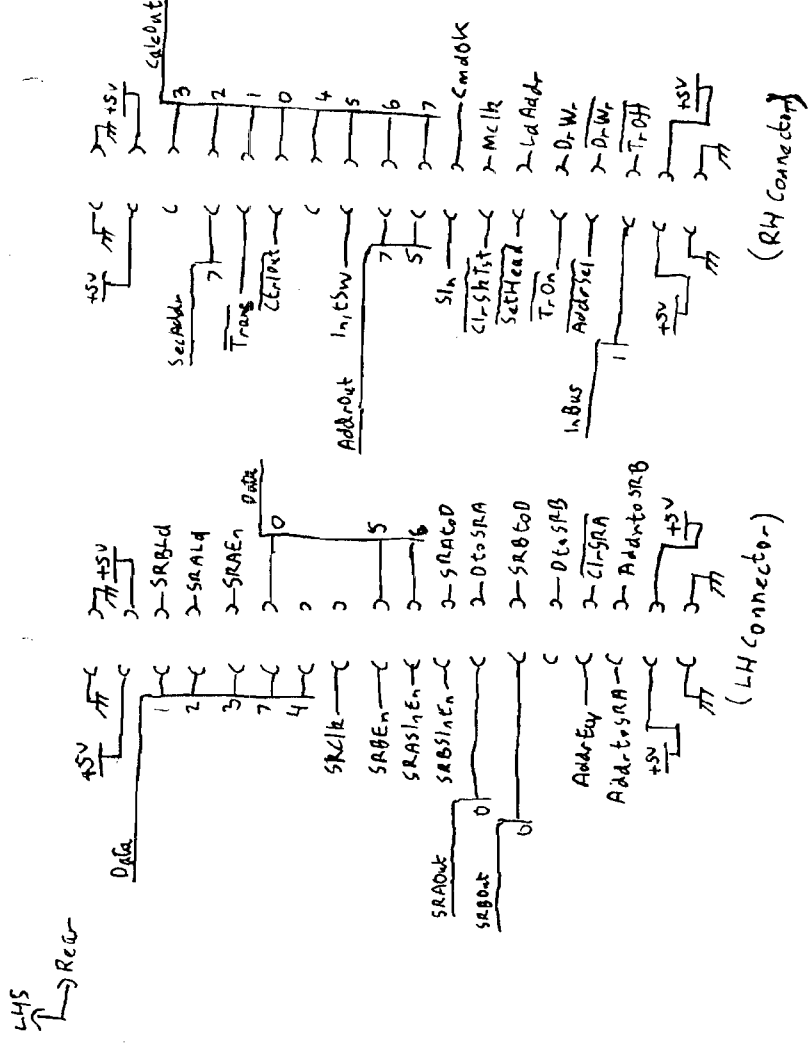
UHS  
↑ → Rean



ROM

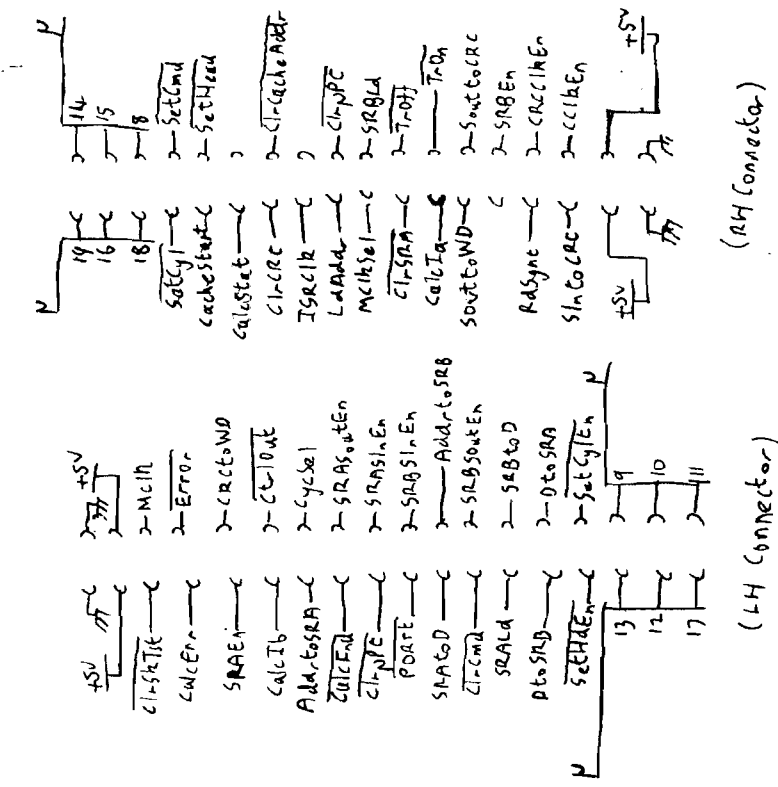


Memory Control  
(11305-66501)



**Data Transfer**  
(11305-66505)

**Initialization Switch**  
11305 - 66508

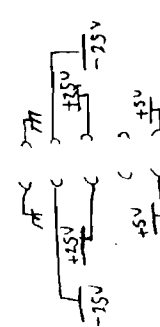


**Instruction**  
(11305-66504)

(RH connector)

(LH connector)

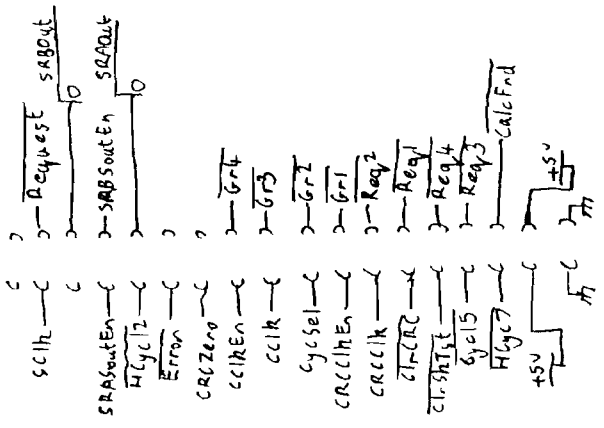
LHS → Rear



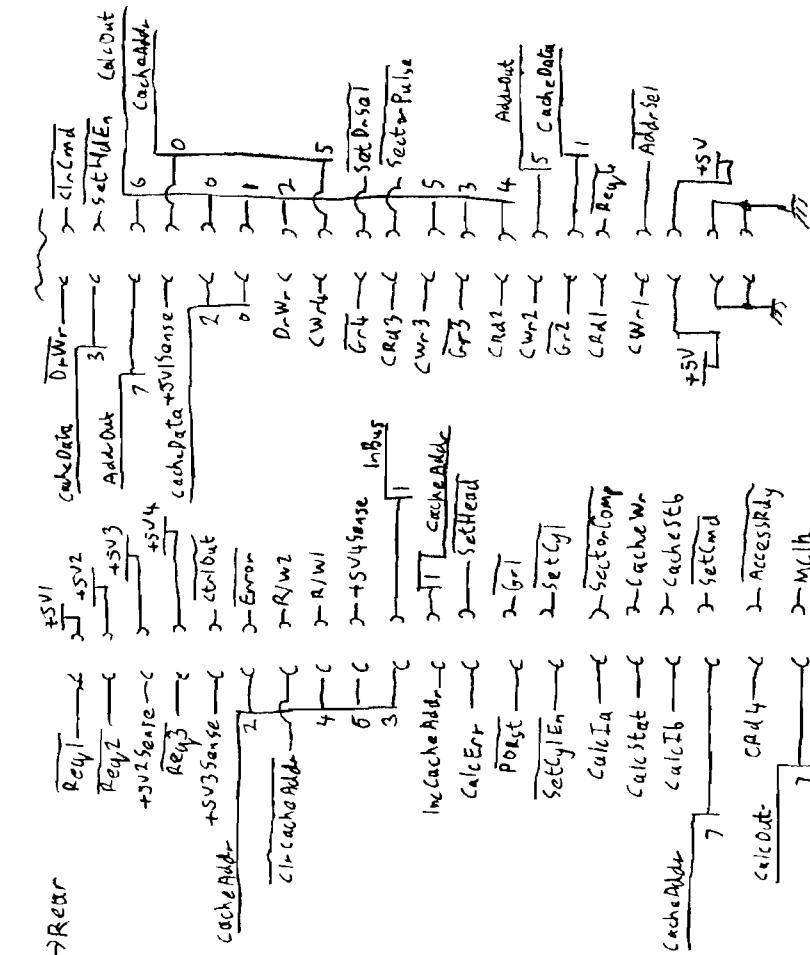
(LH Connector)

Address Control

(11305-66506)



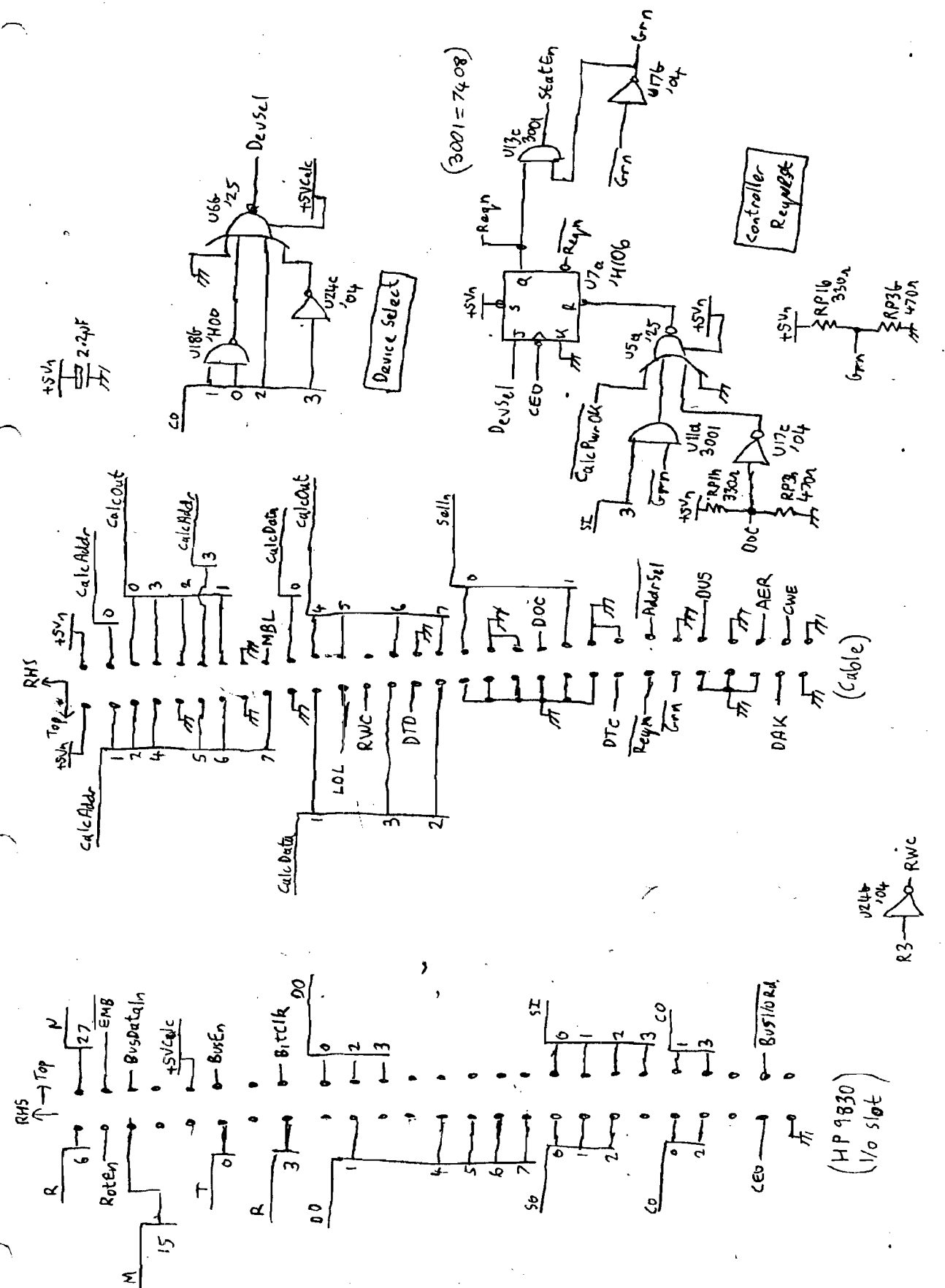
(RH Connector)

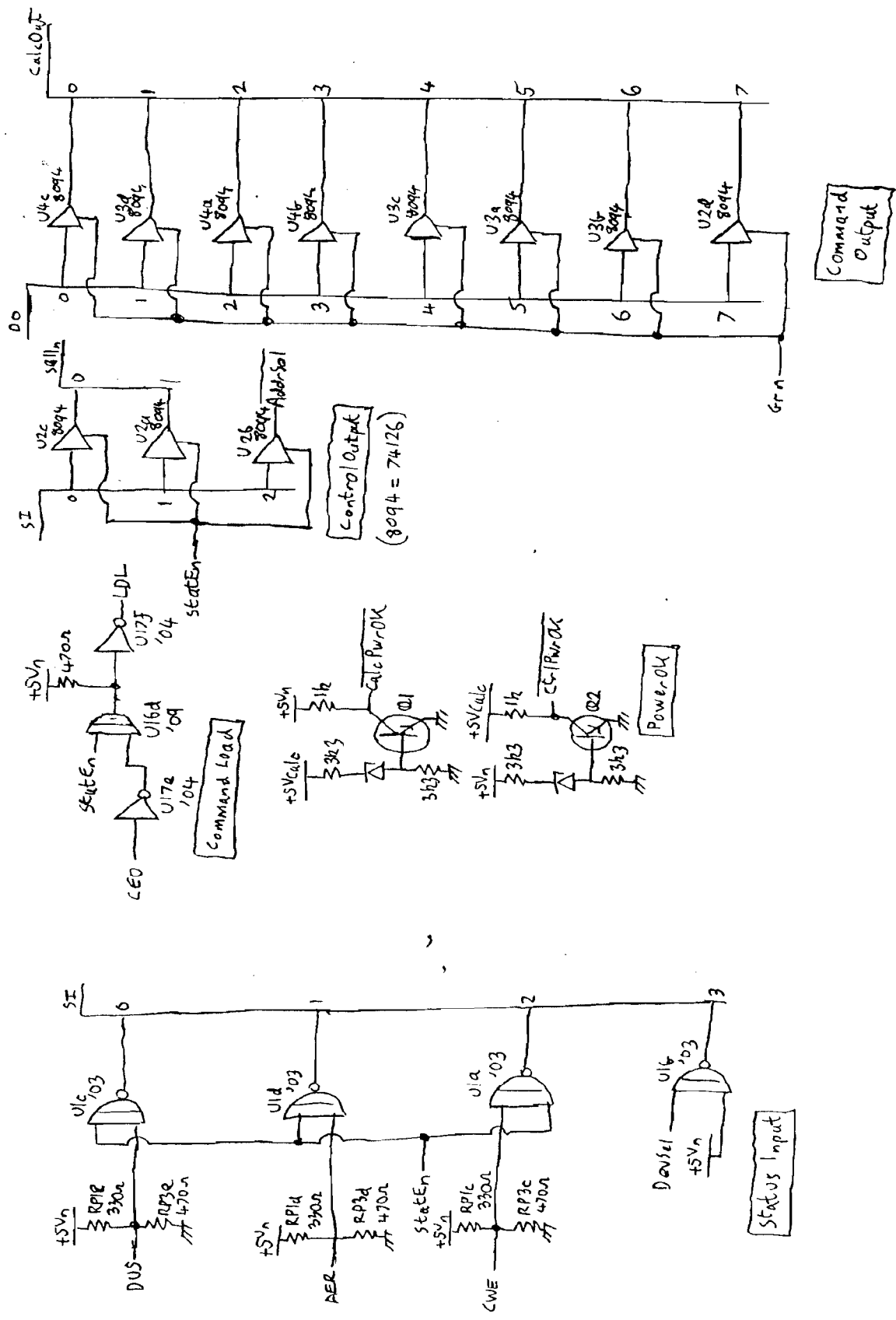


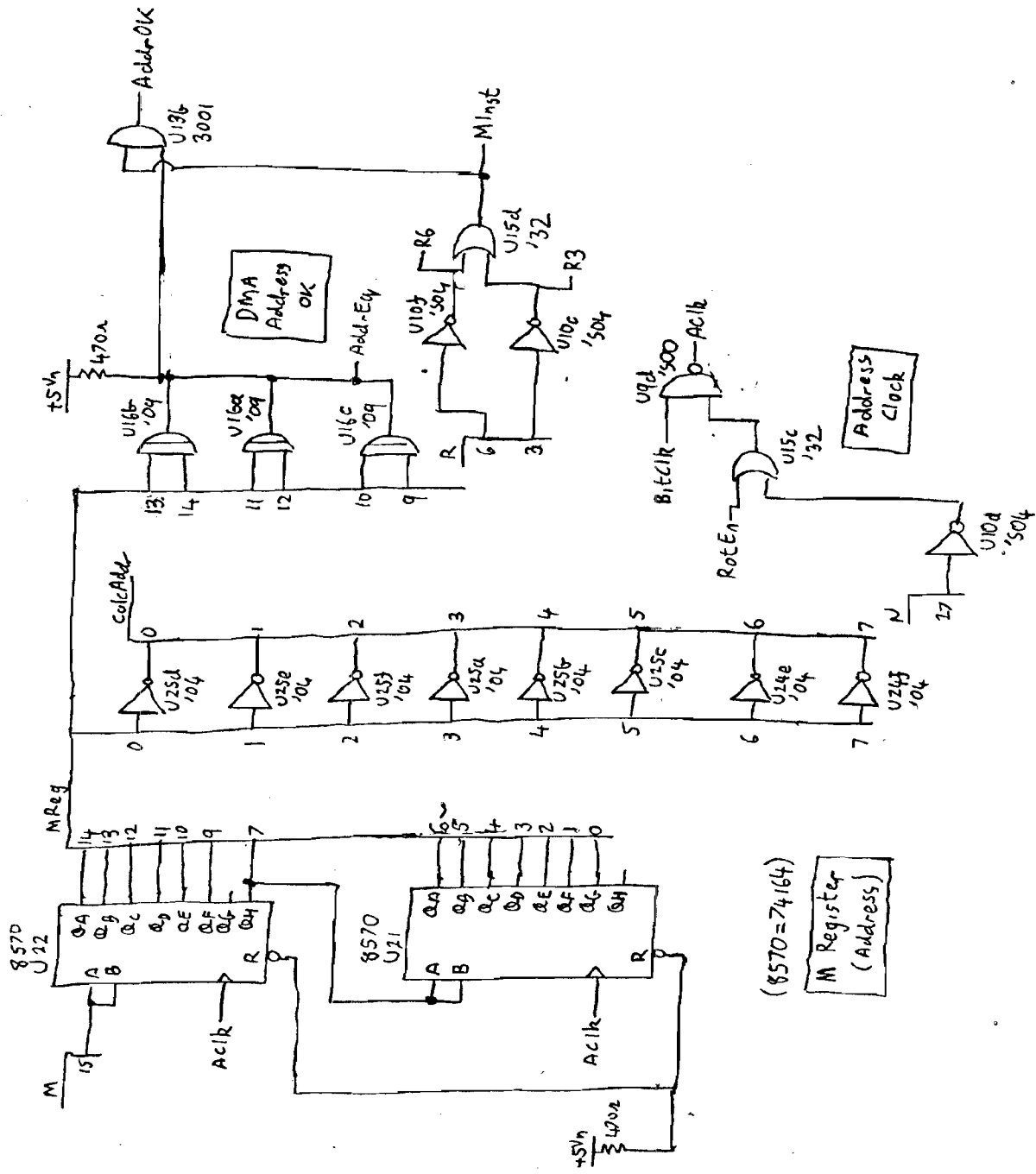
Cable Backplane

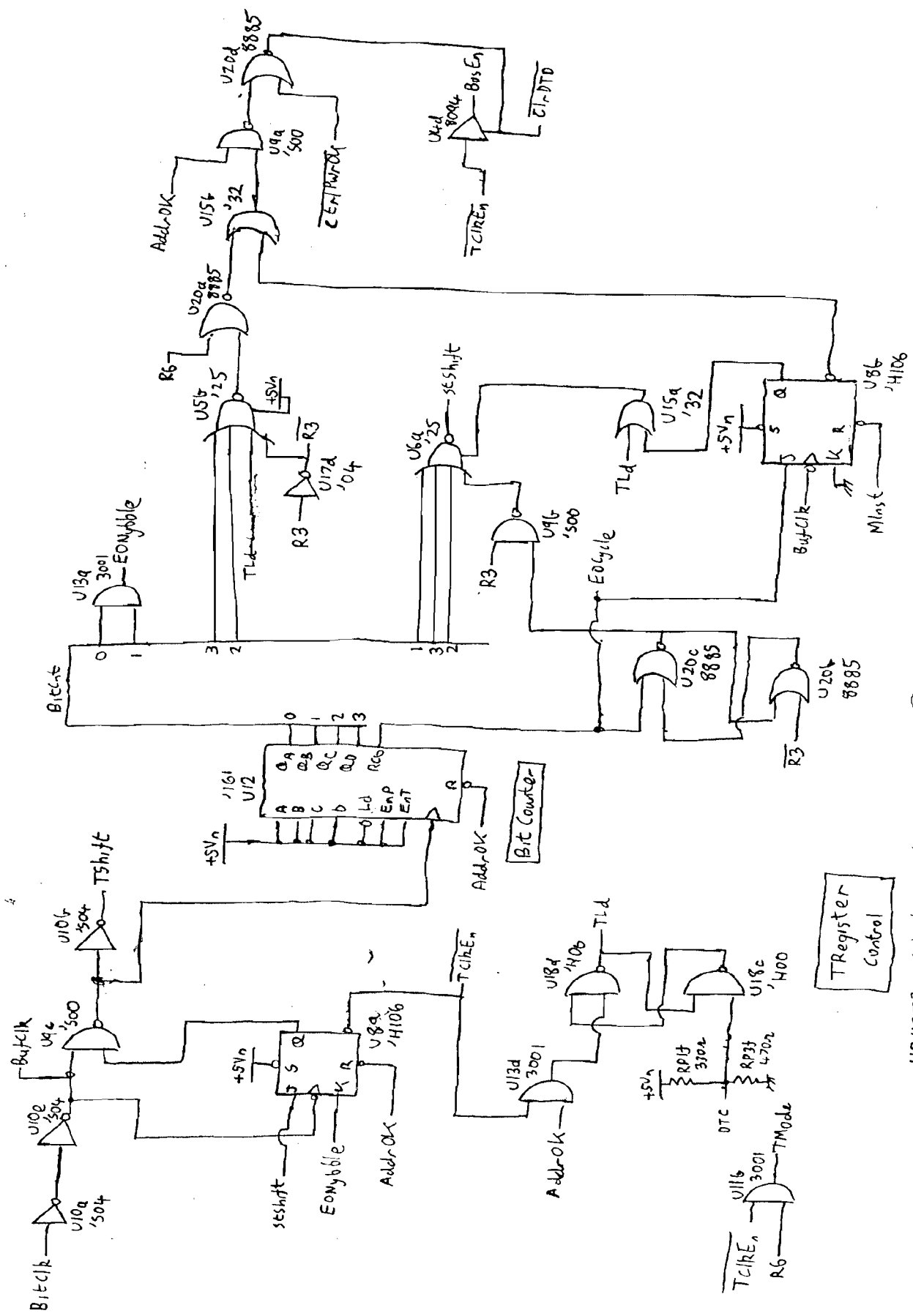
(11305-66507)

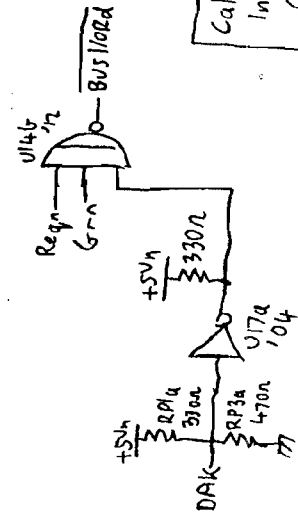
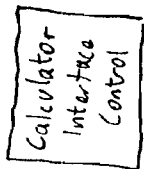
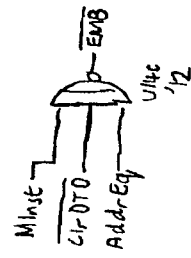
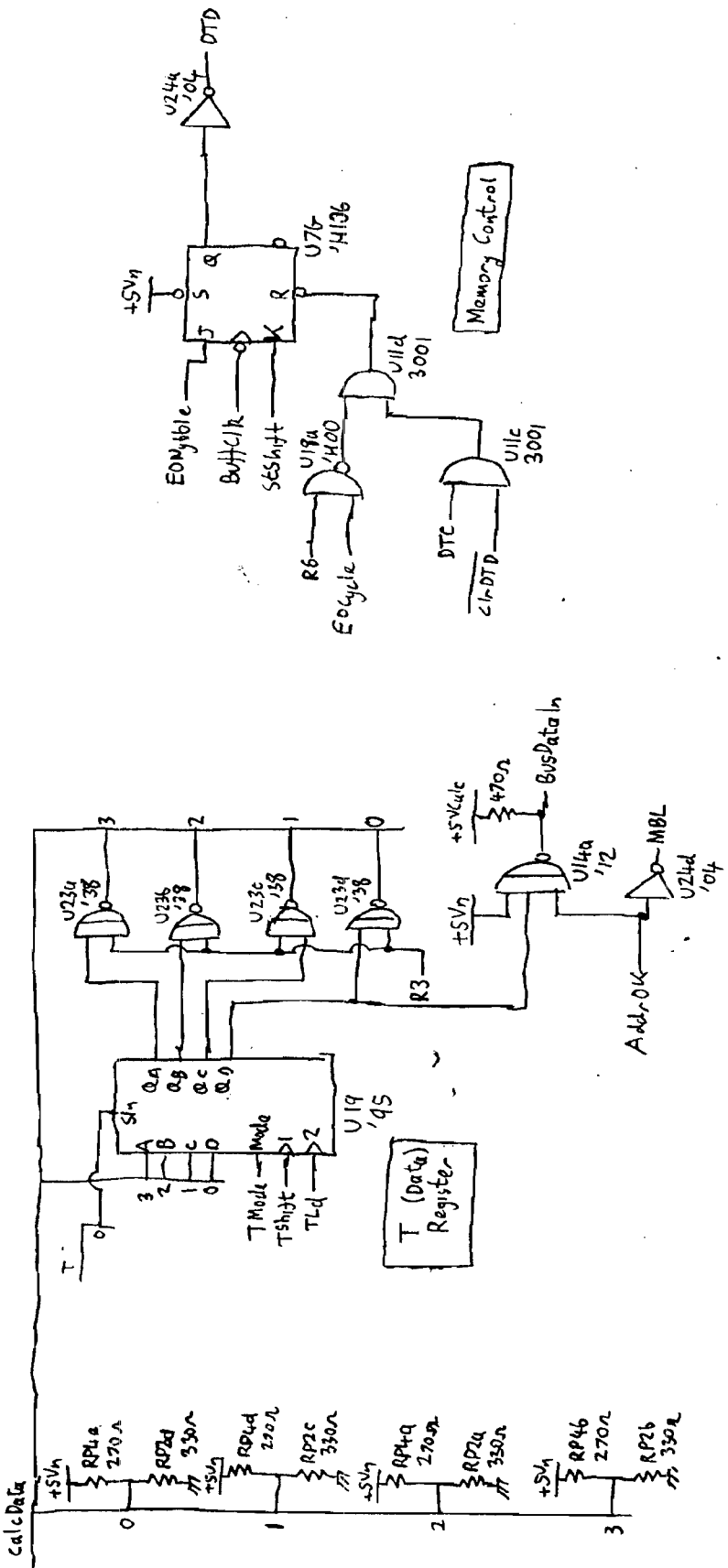


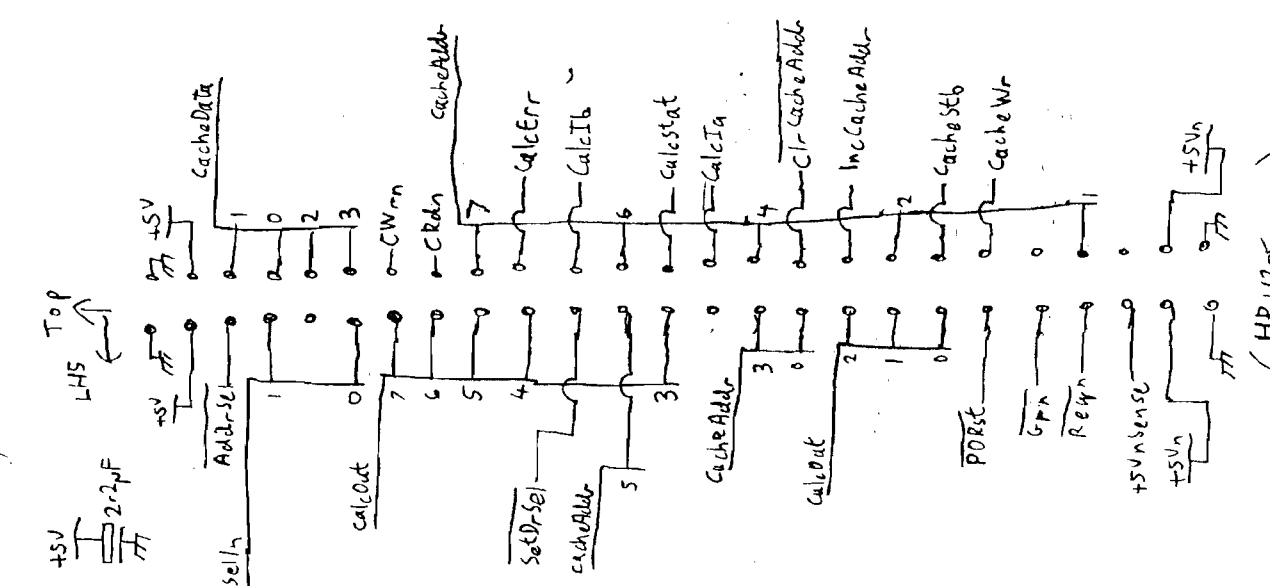
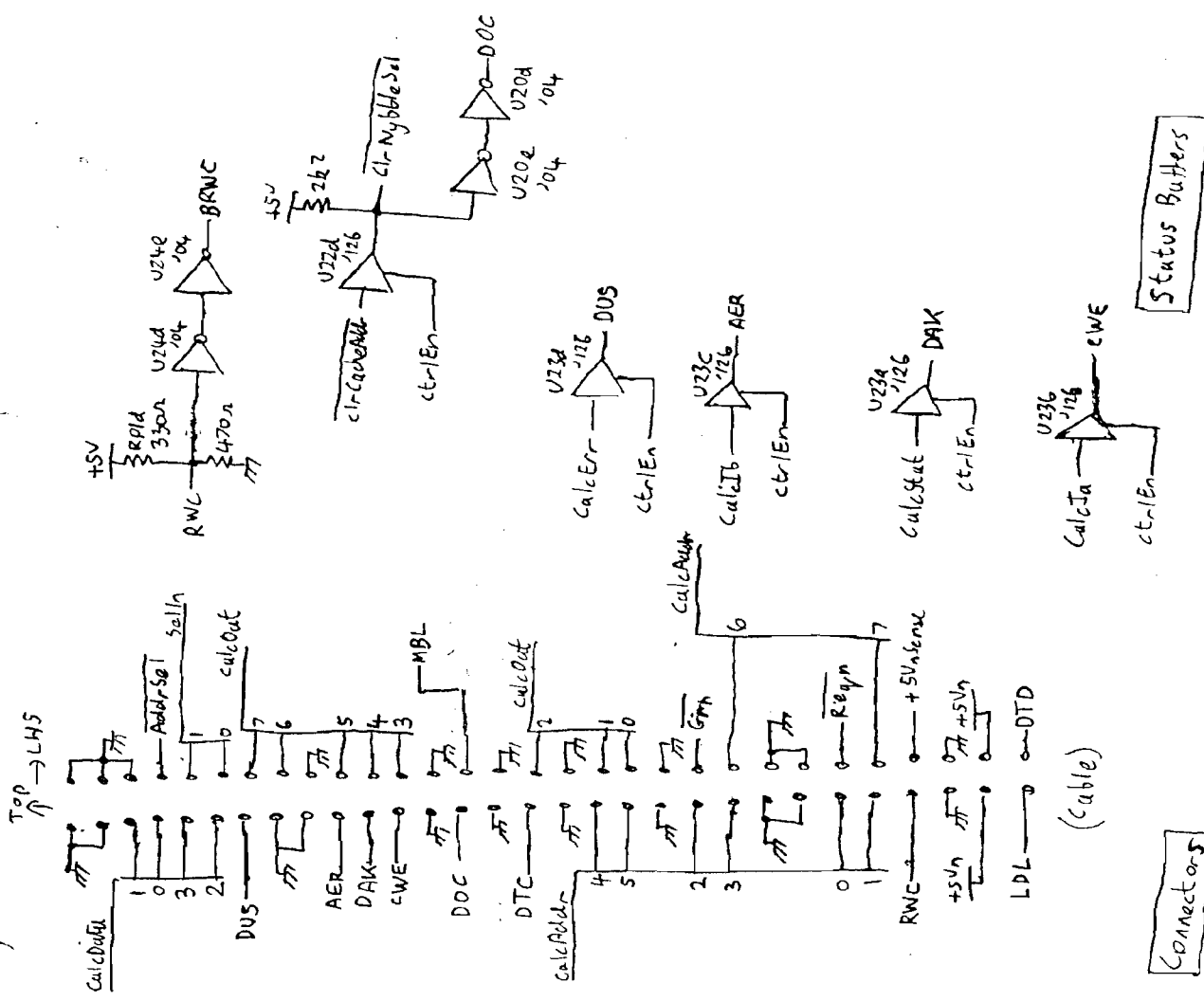










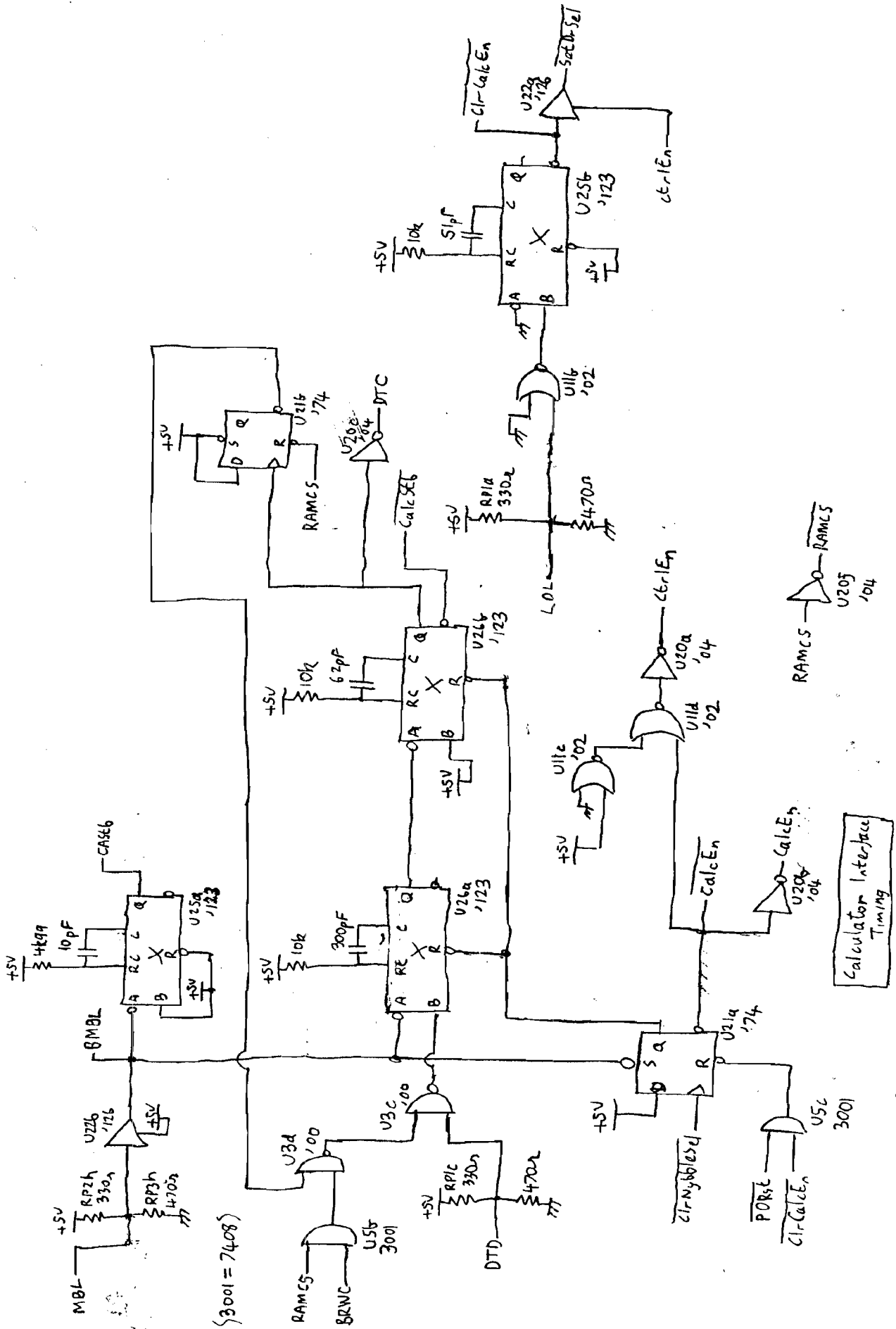


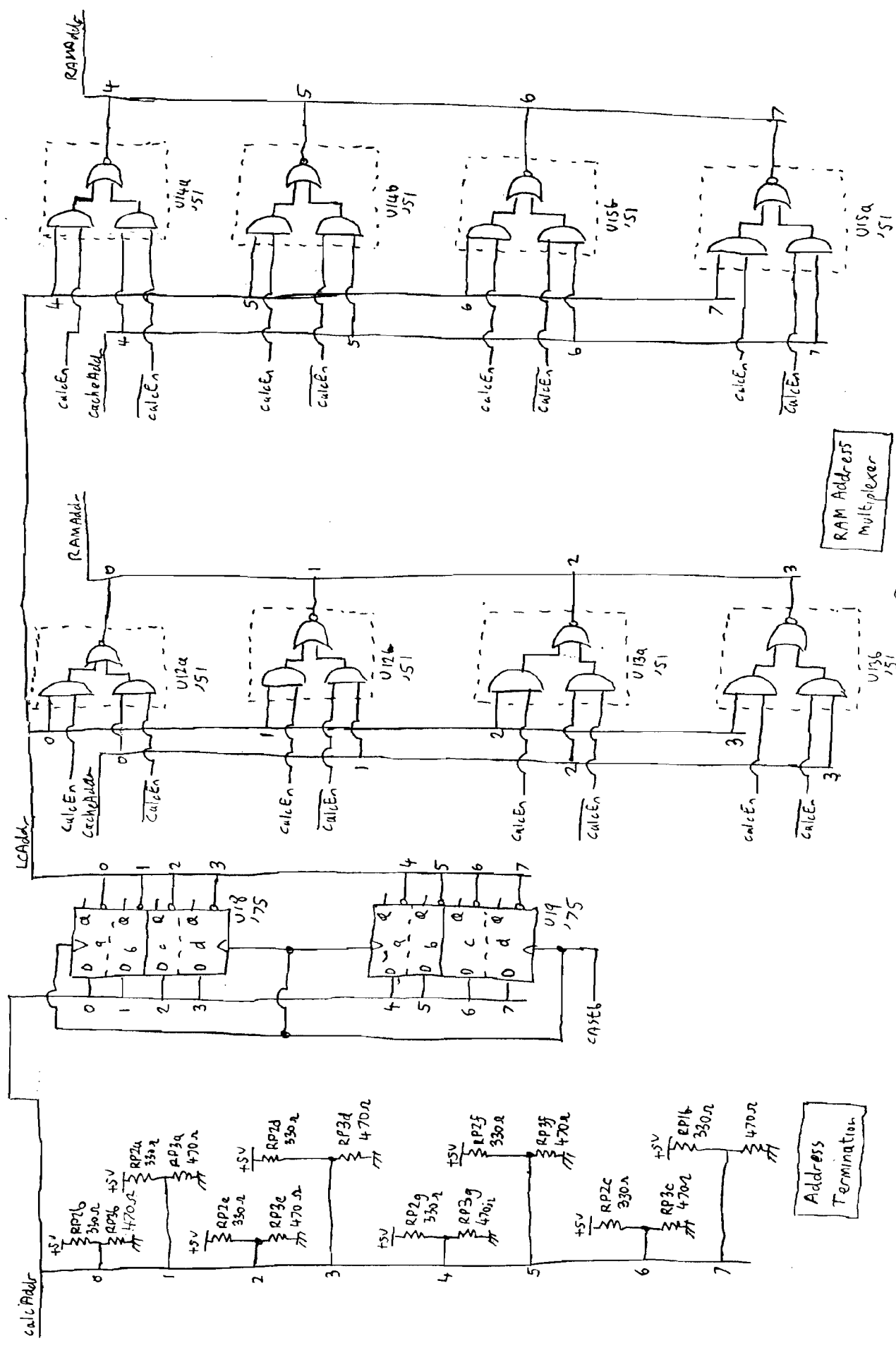
Status Buffers

Connectors

(Cable)

HP11305  
(Cable Backplane)

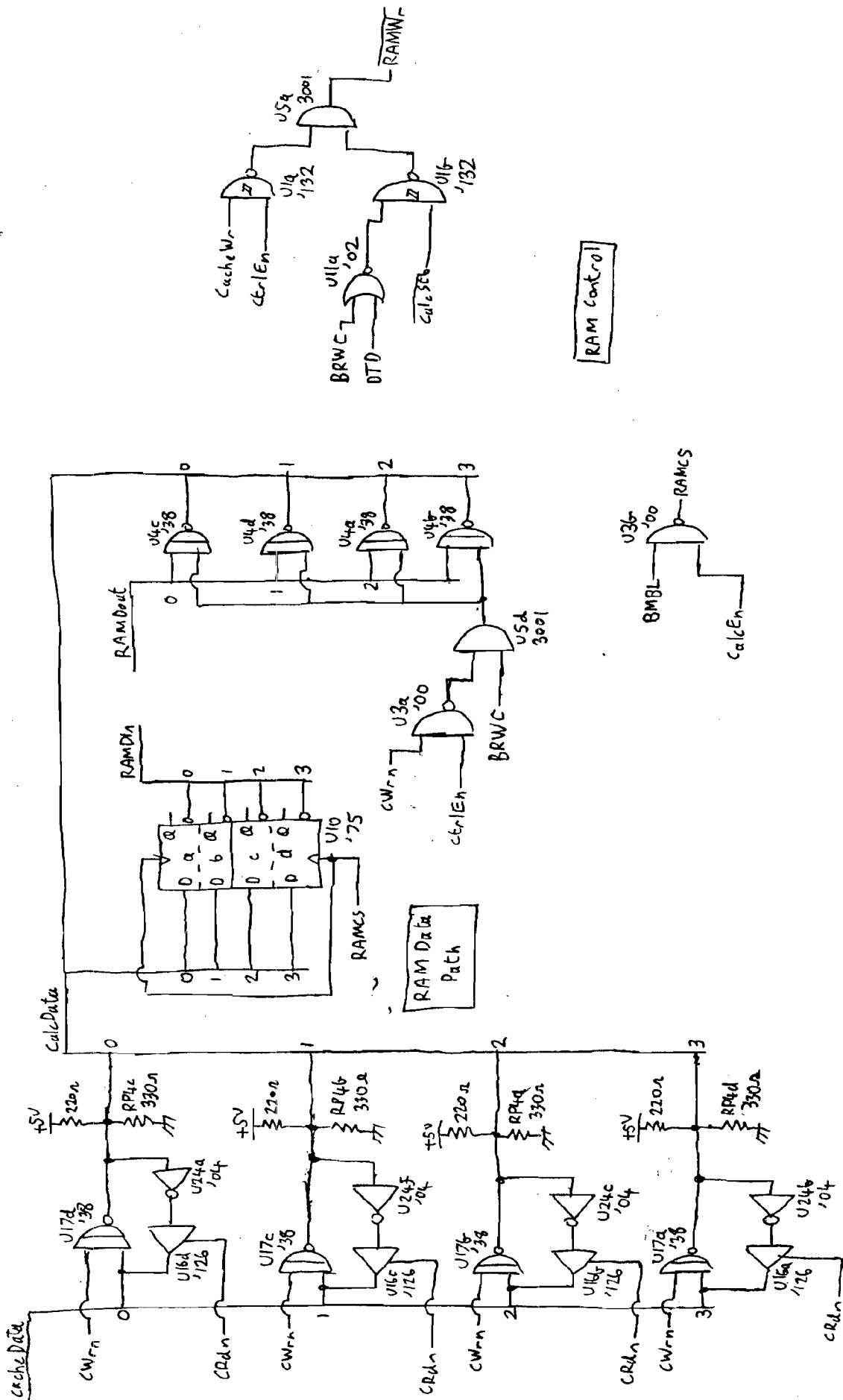




RAM Address Multiplexer

Address Termination

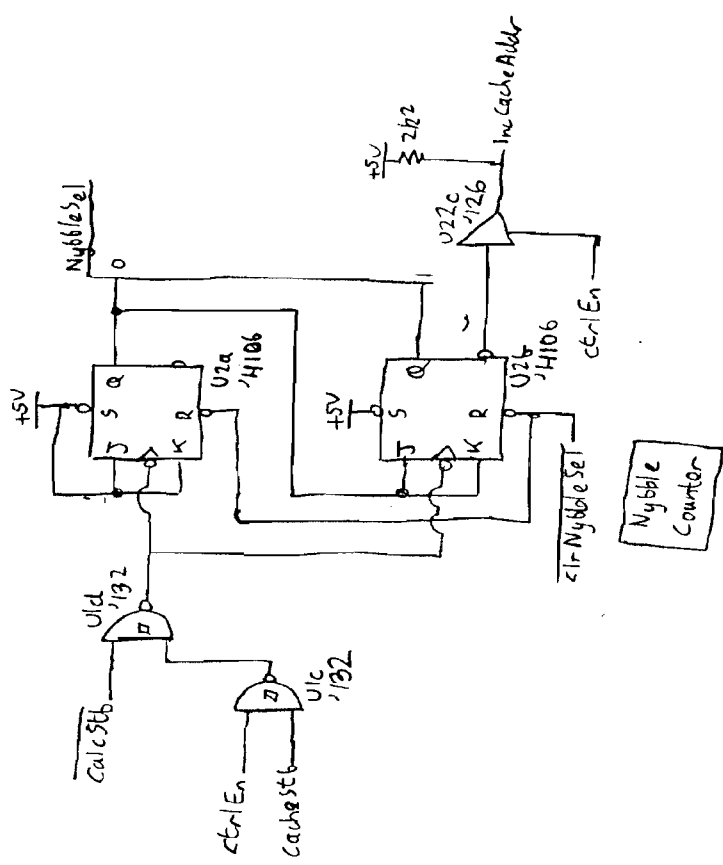
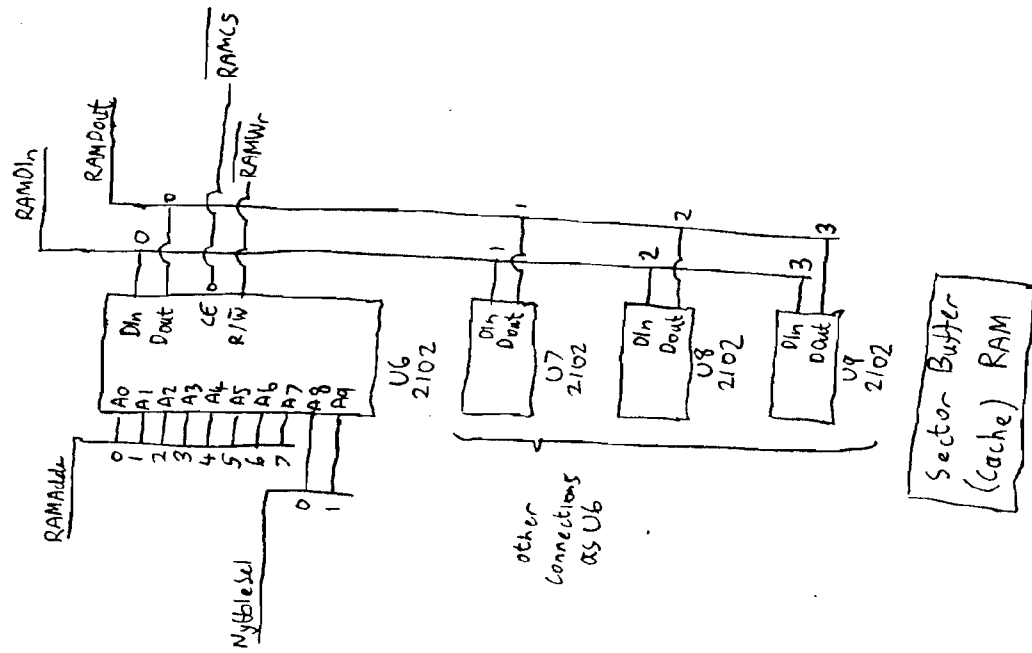


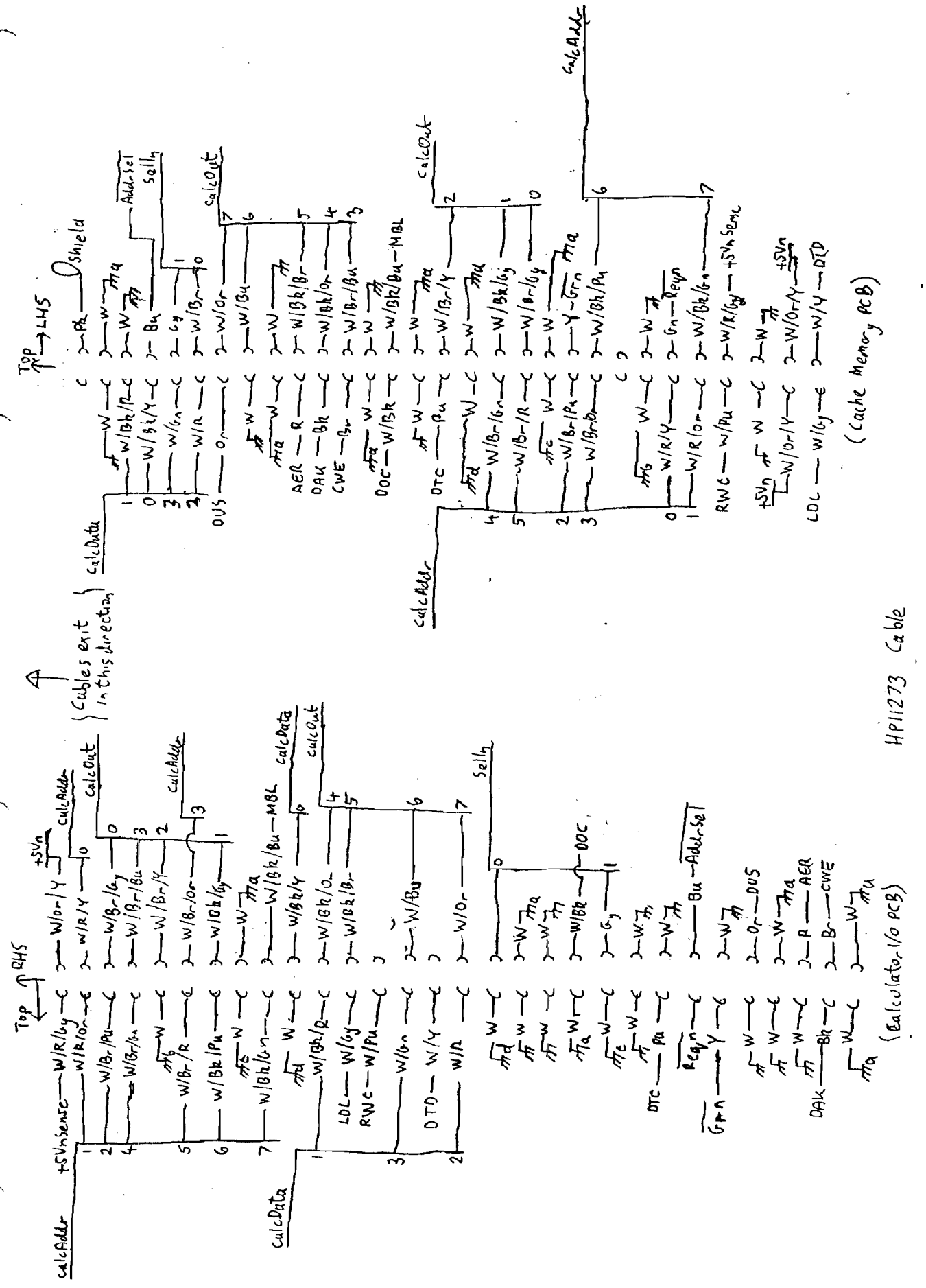


RAM Control

11273-66509

HP11273 Cache Memory PCB Sheet (4)

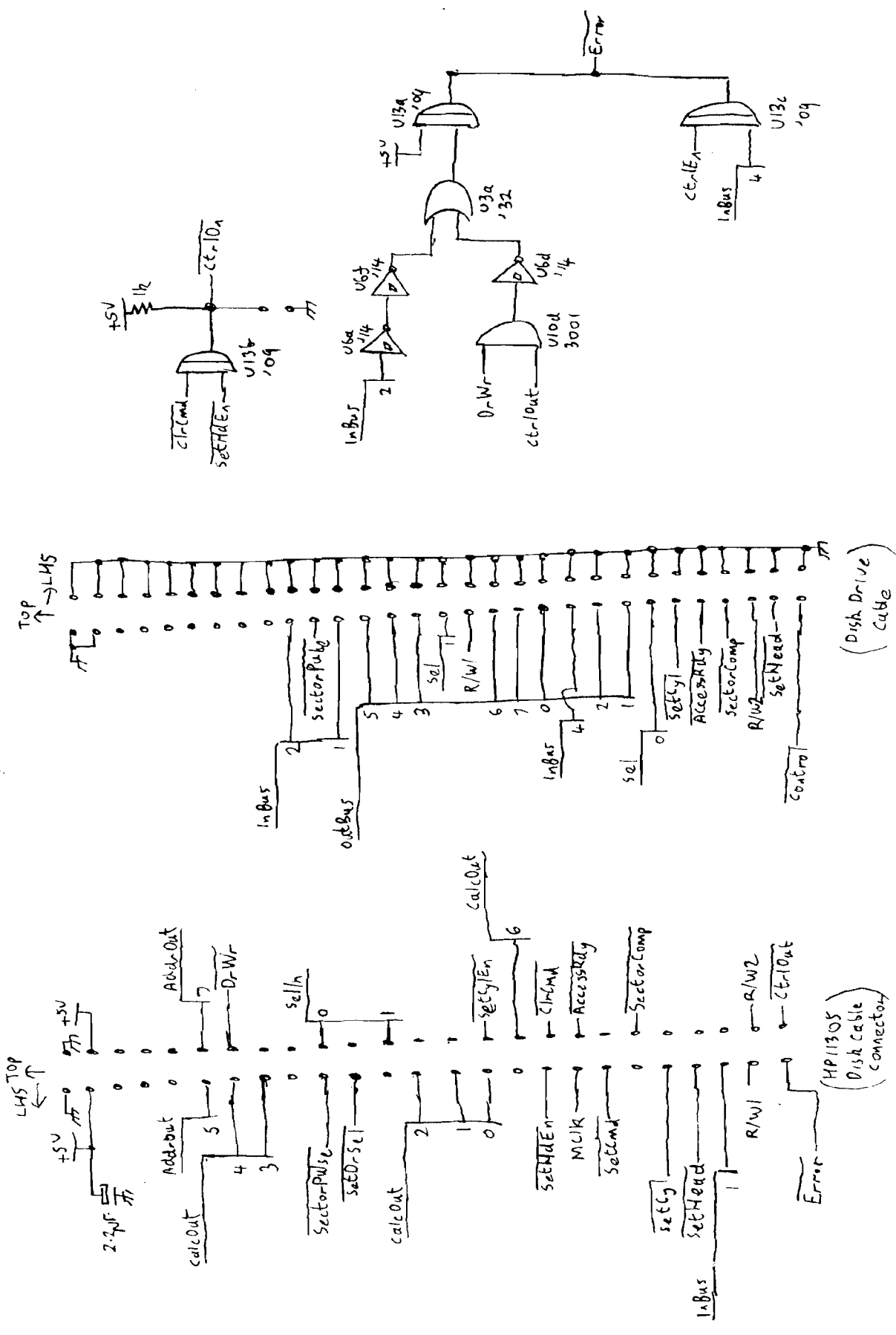




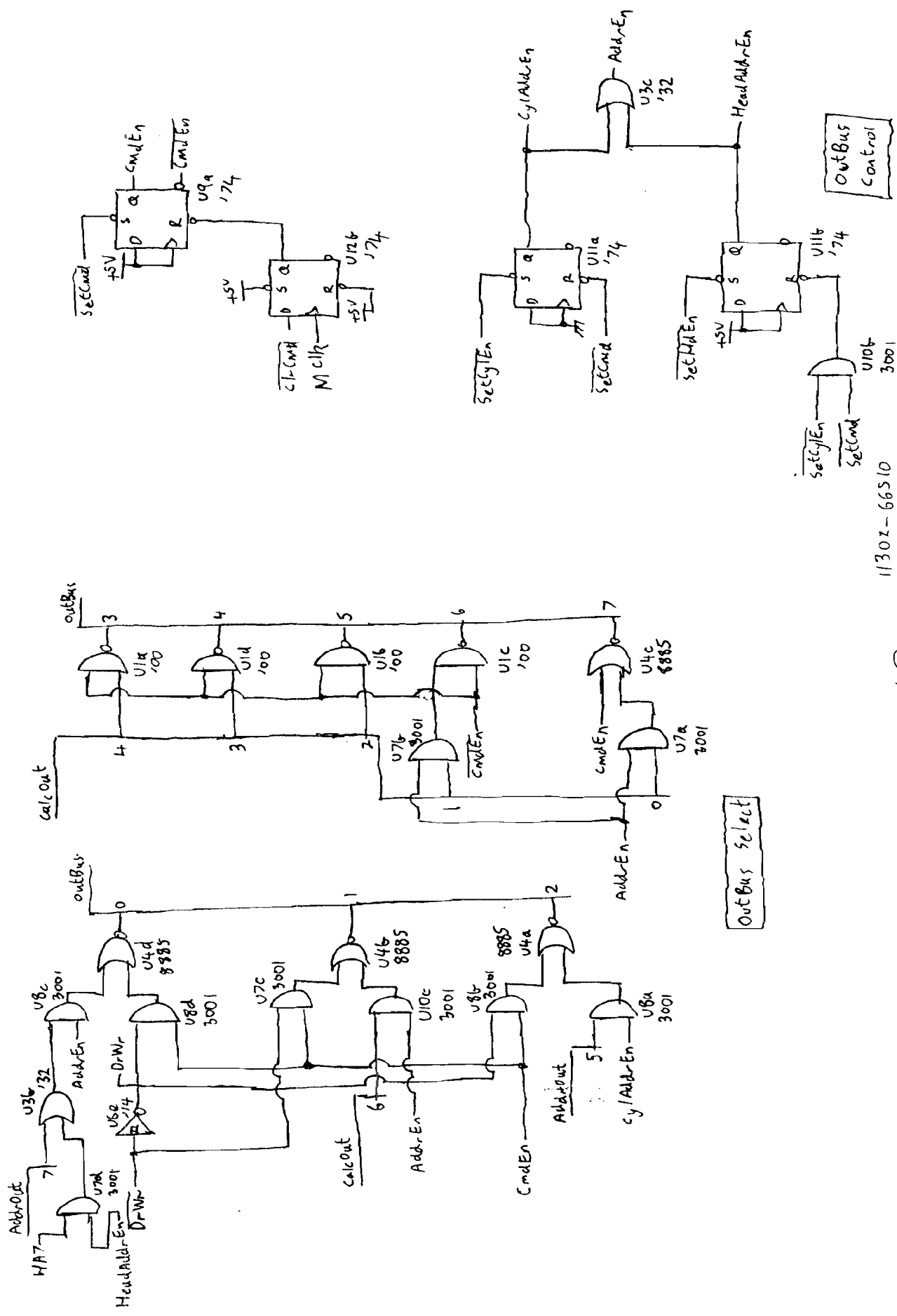
HP11273 Cable

(Cache Memory PCB)

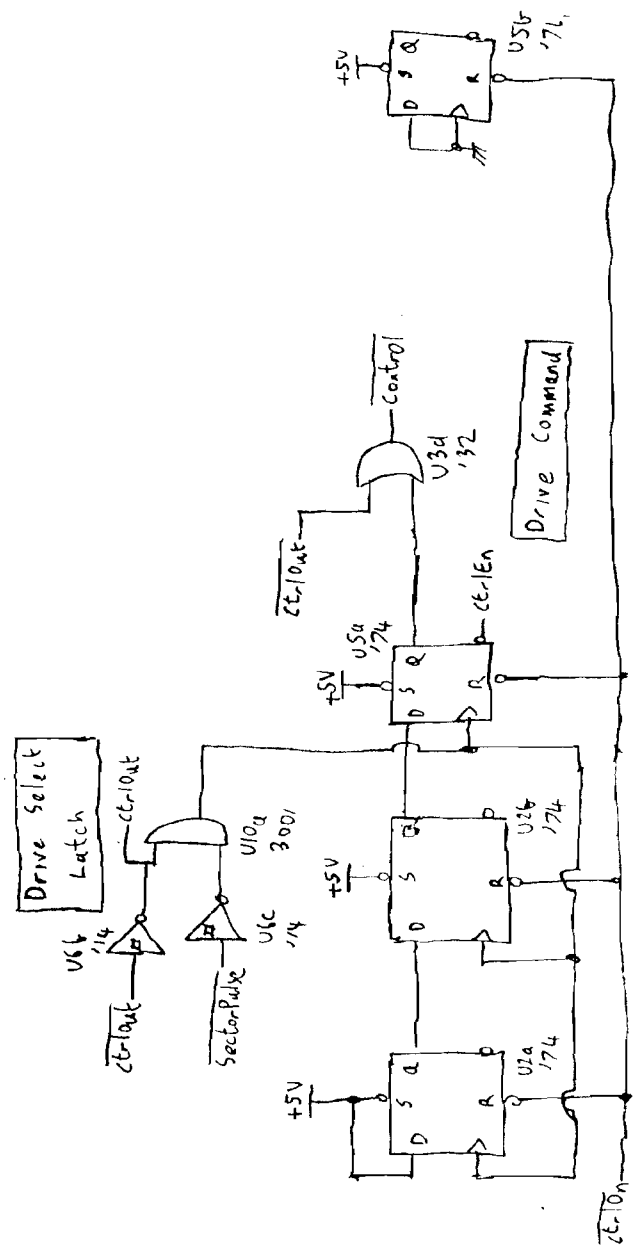
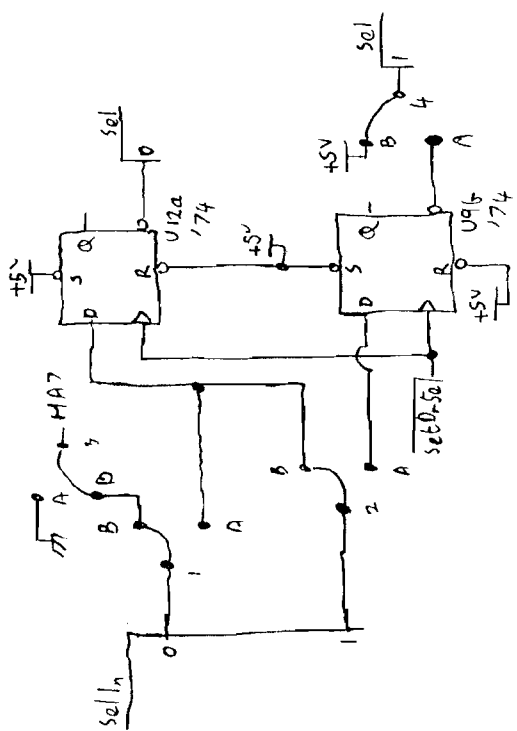
(Calculator I/O PCB)



11302-66510  
11302-66511



11302-66510  
11302-66511



11302-66510  
11302-66511



