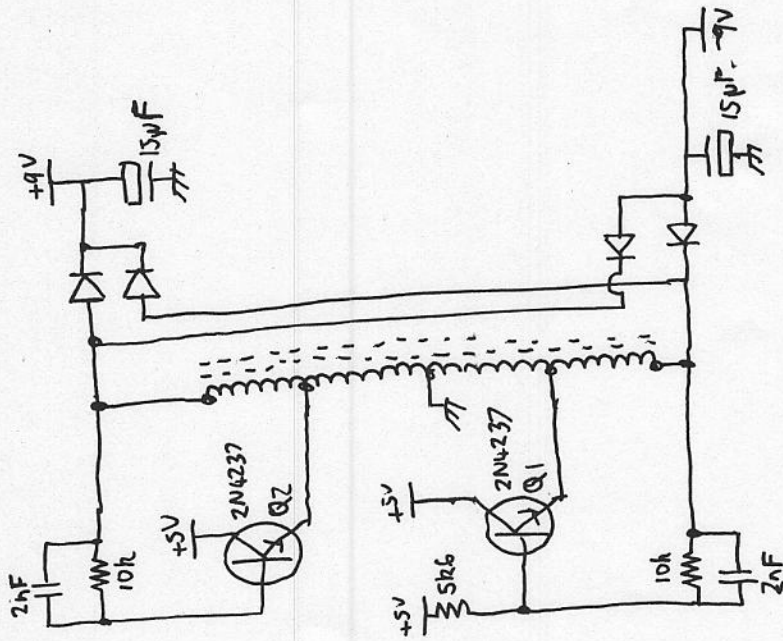
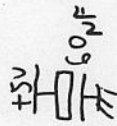
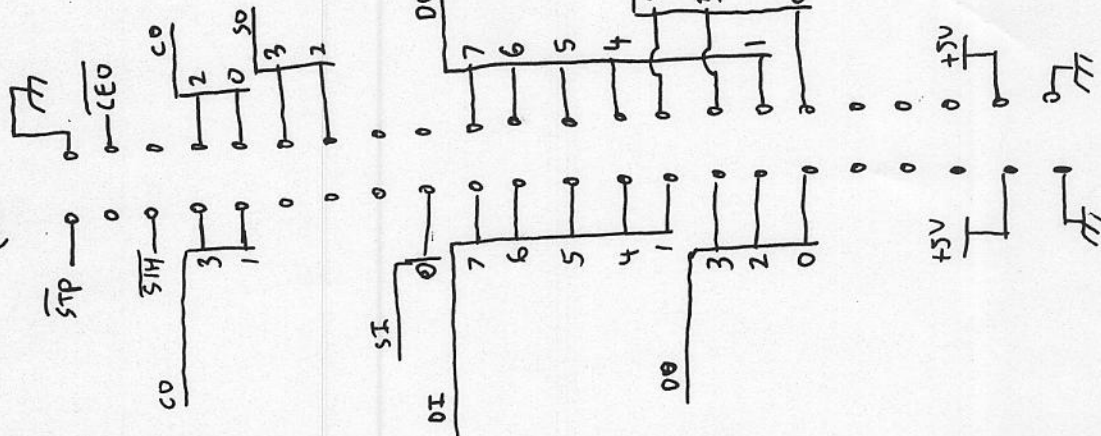
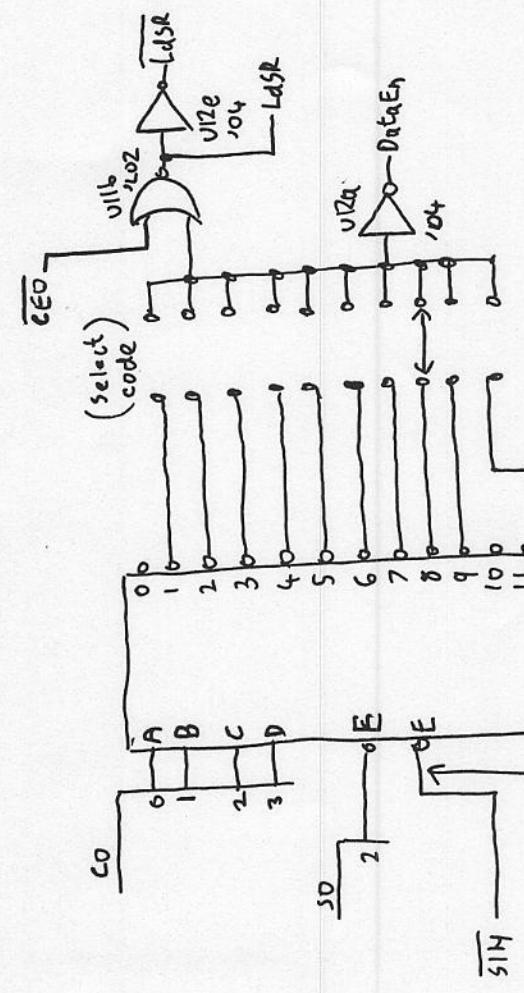
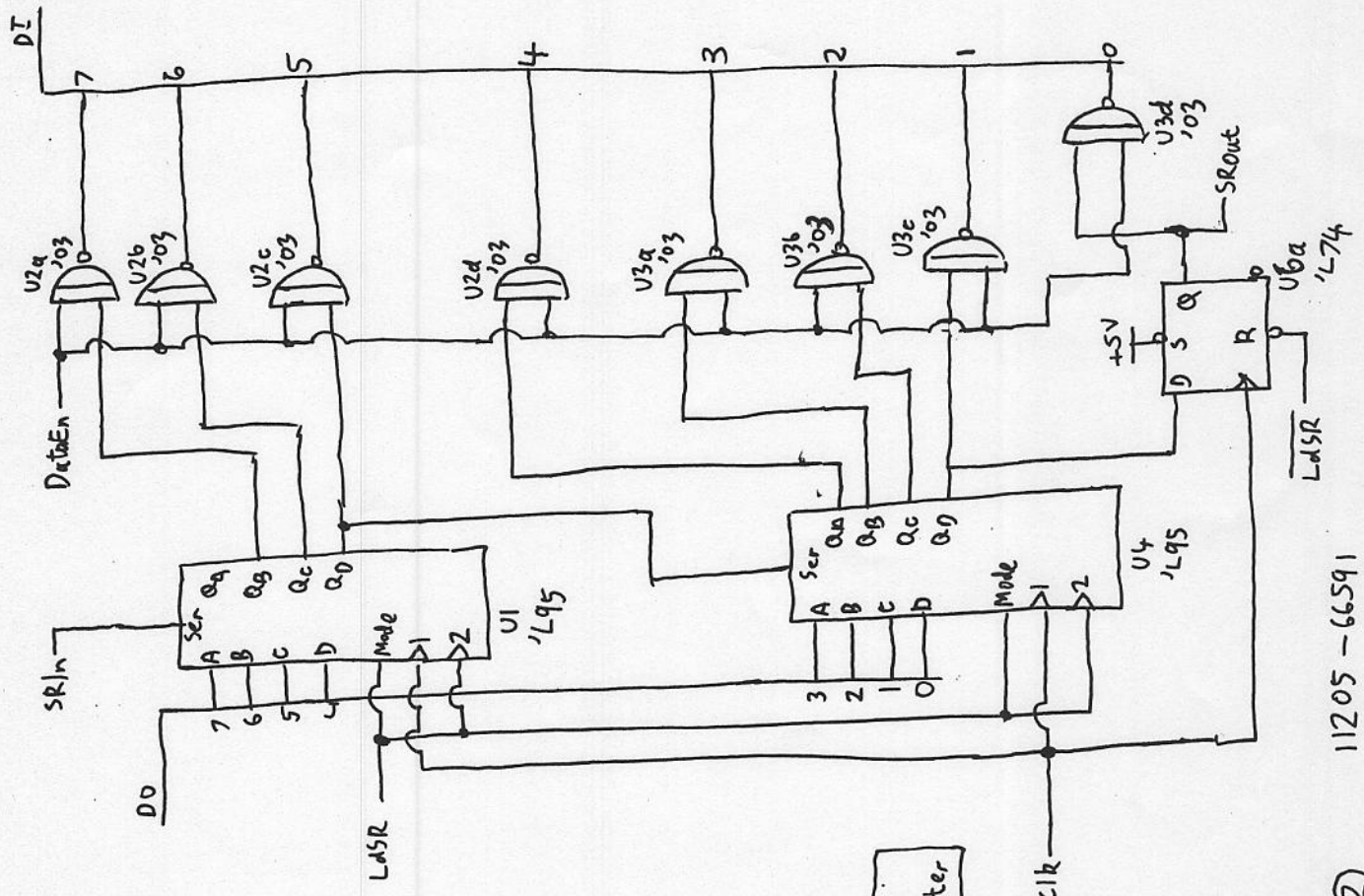


LHS

Top



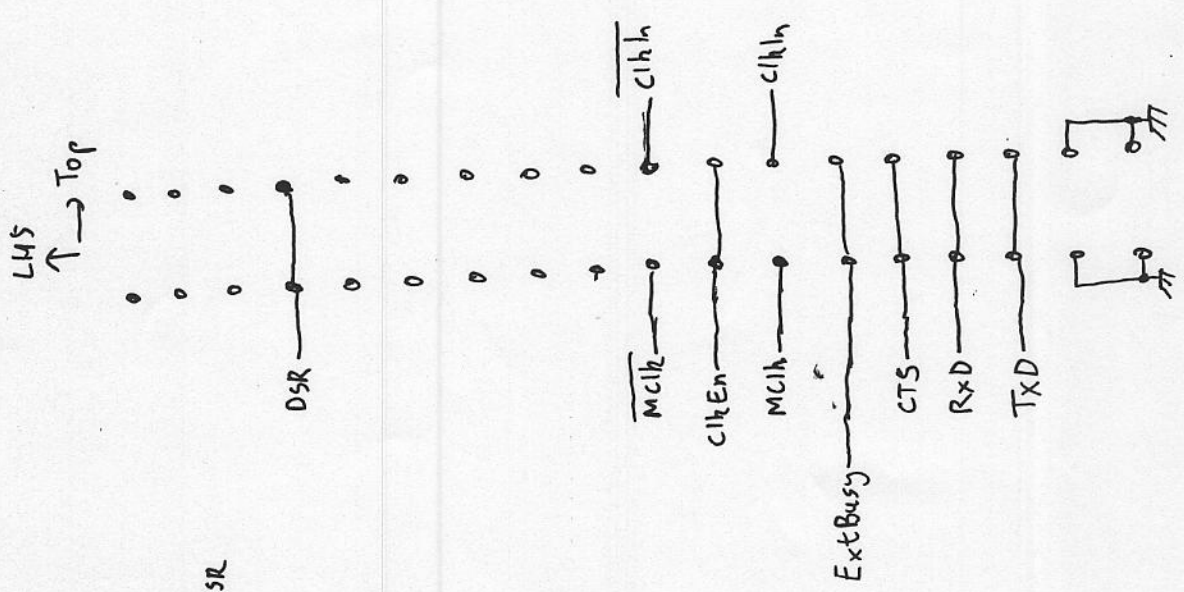
PSU



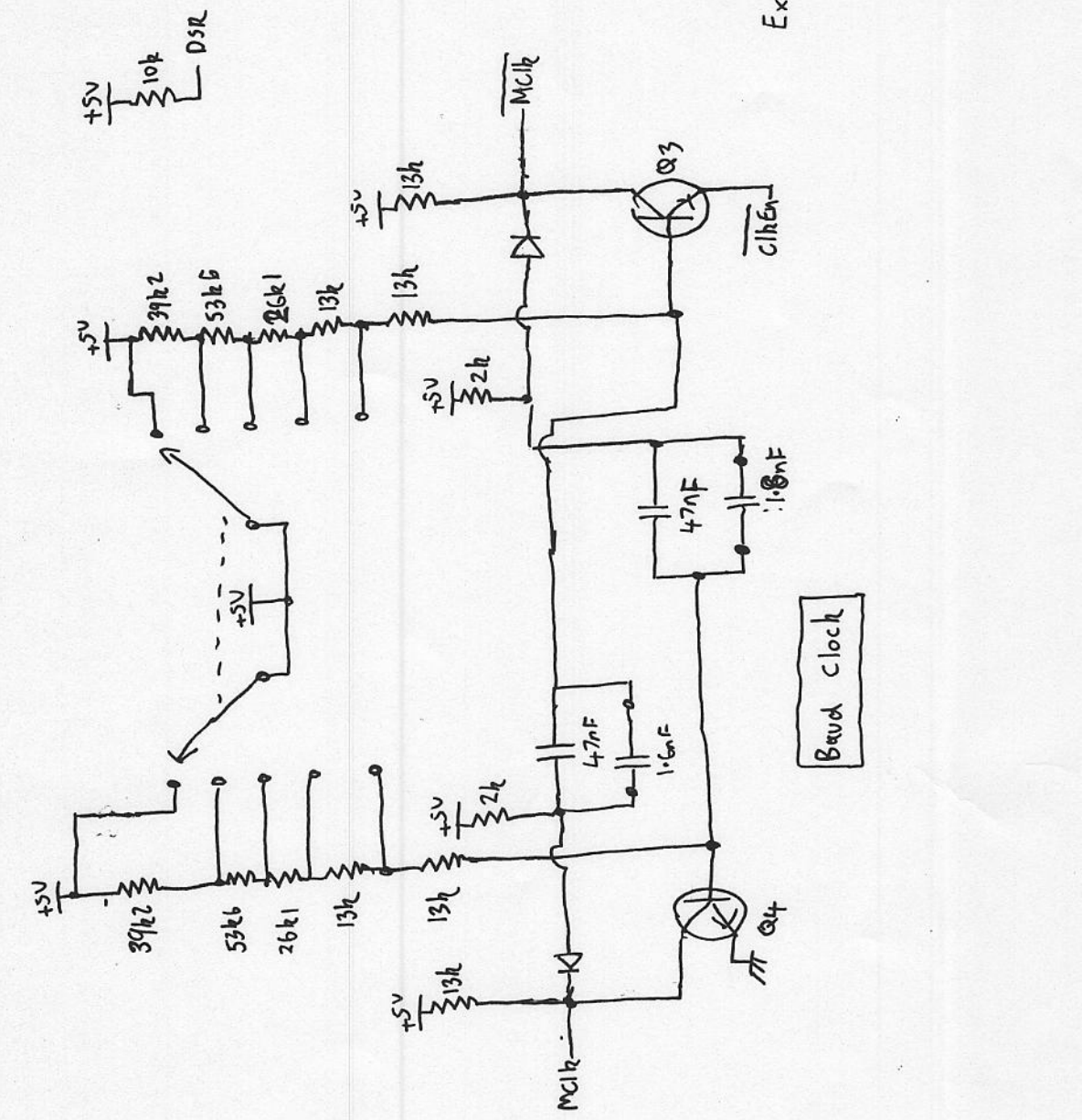
Shift Register

This pin on U10 originally grounded. Connected to  $\overline{S1H}$  by ARD for compatibility with HP9830

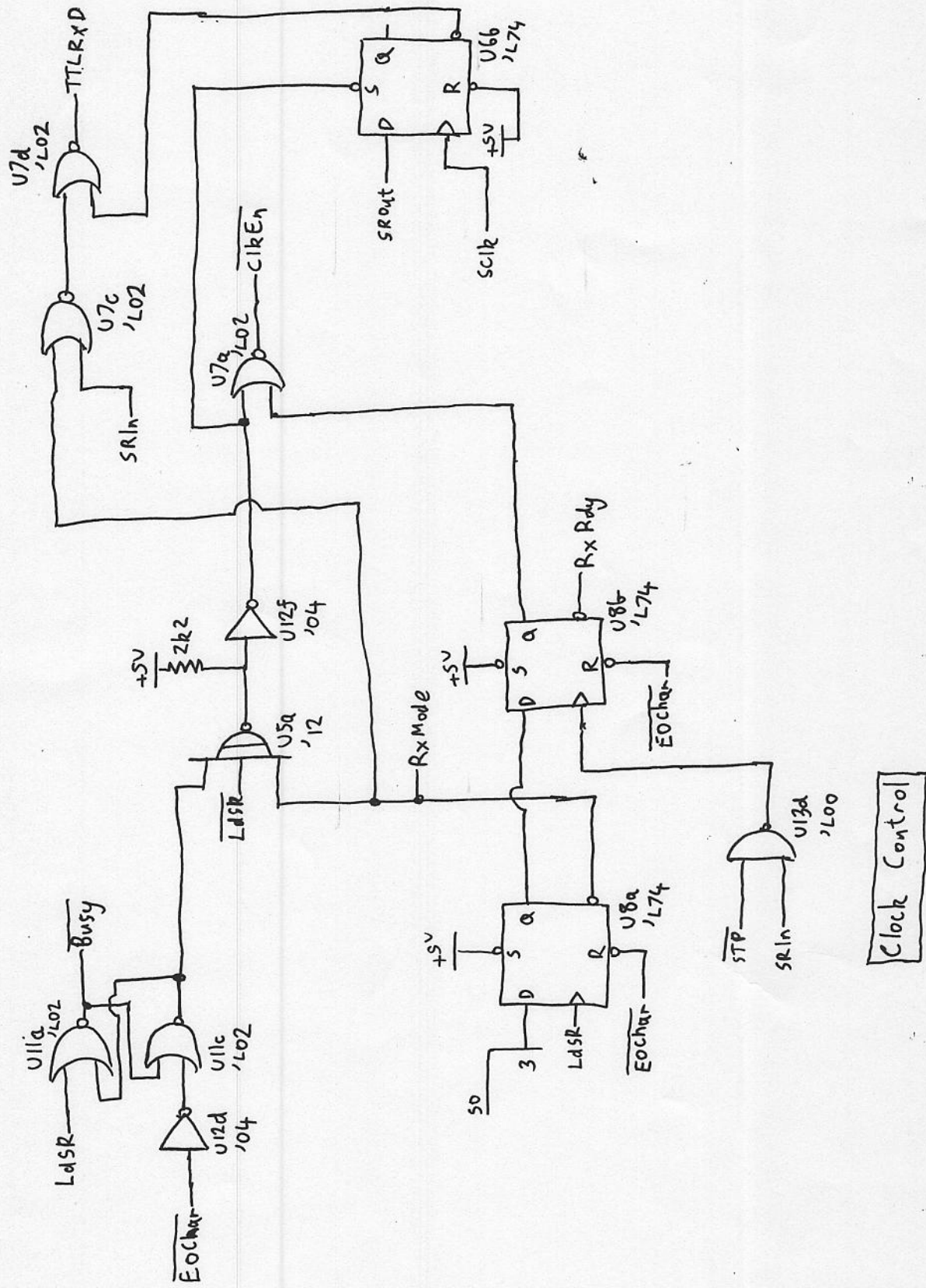
Card Select

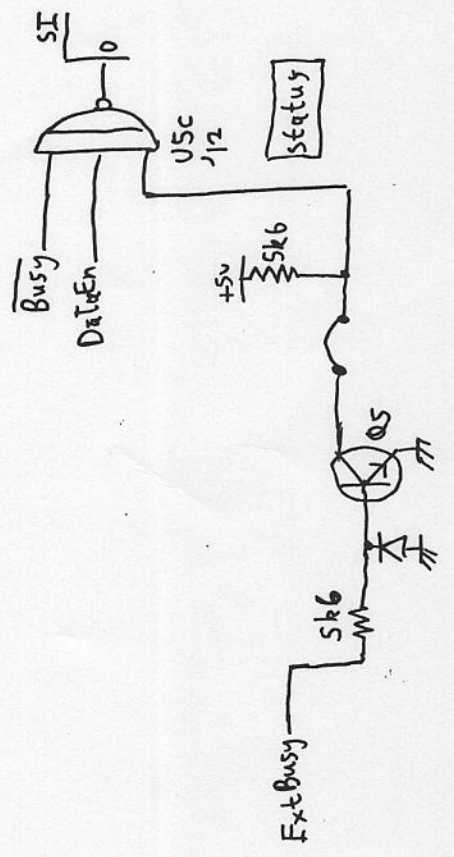
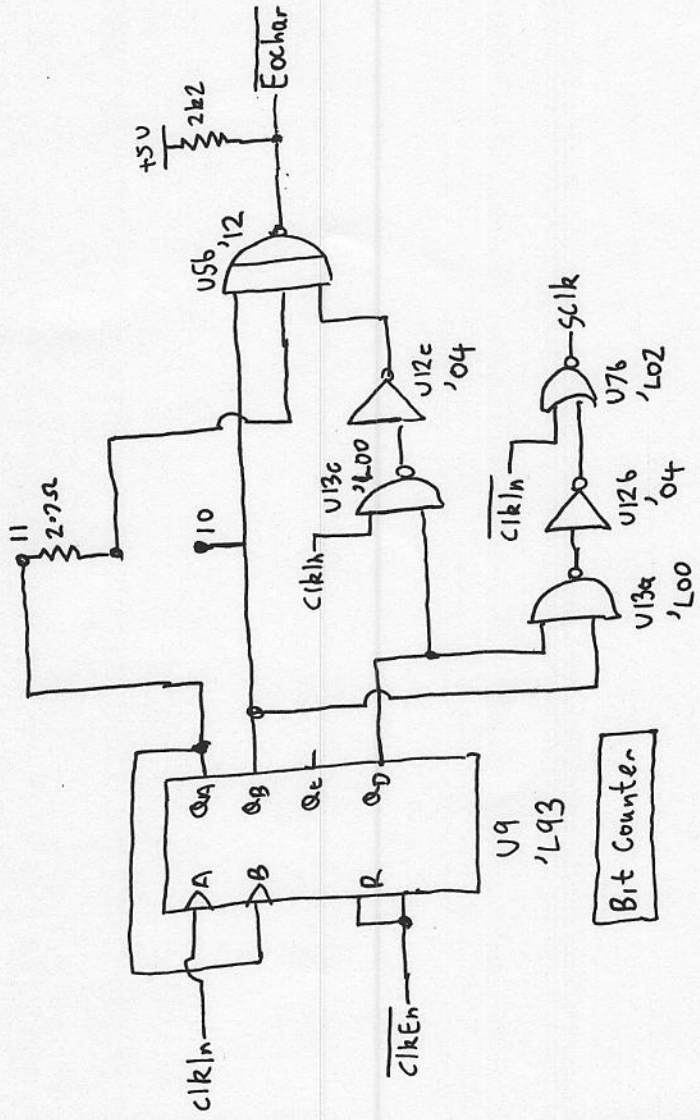
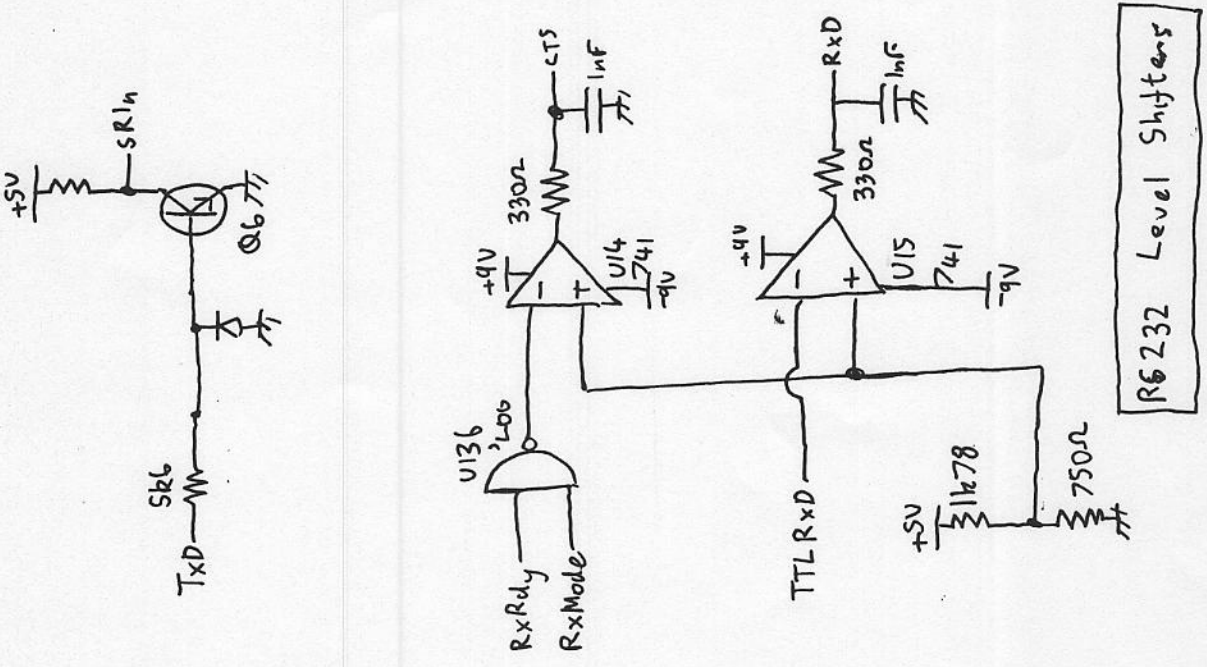


(Cable Connector)

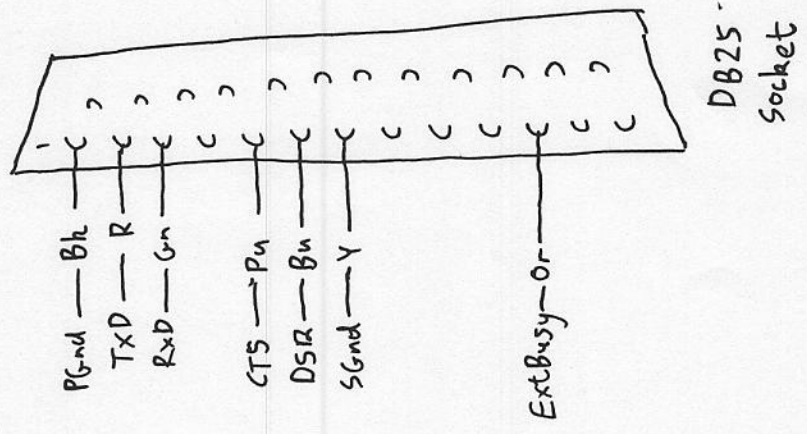
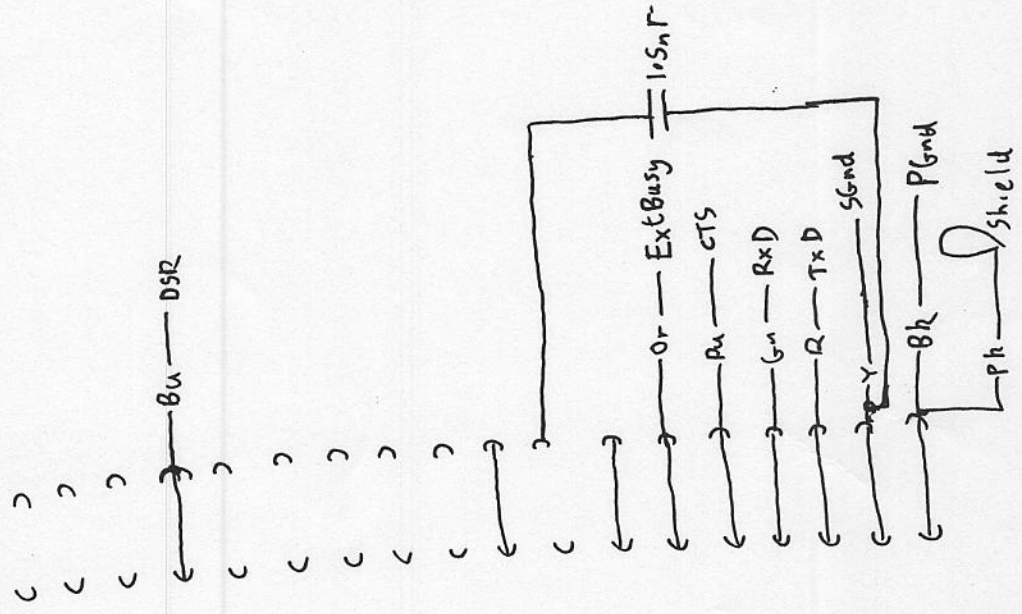


(Cable Connector)





L45  
 ↑  
 Top



HP11205 RS232 Interface Cable