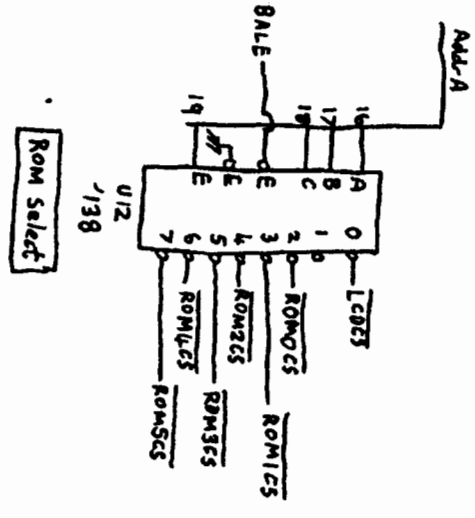
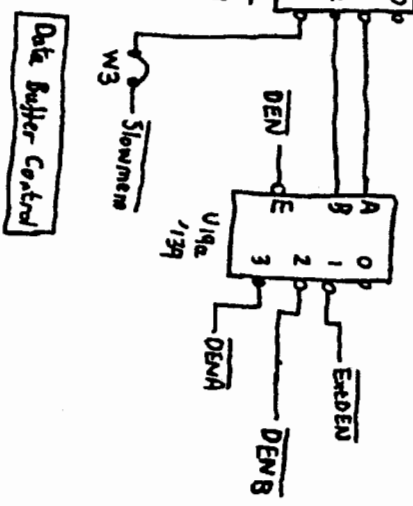
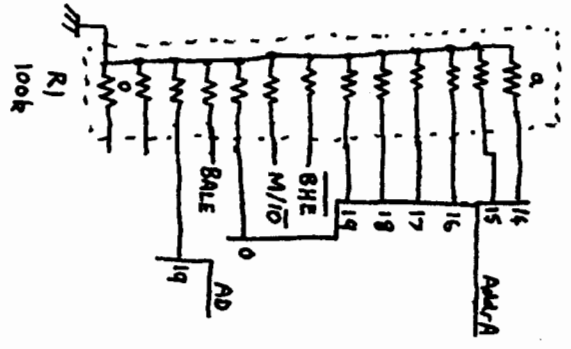
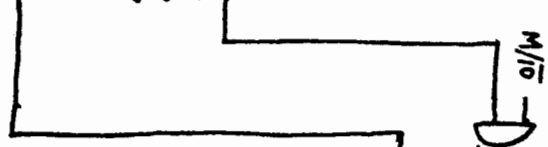
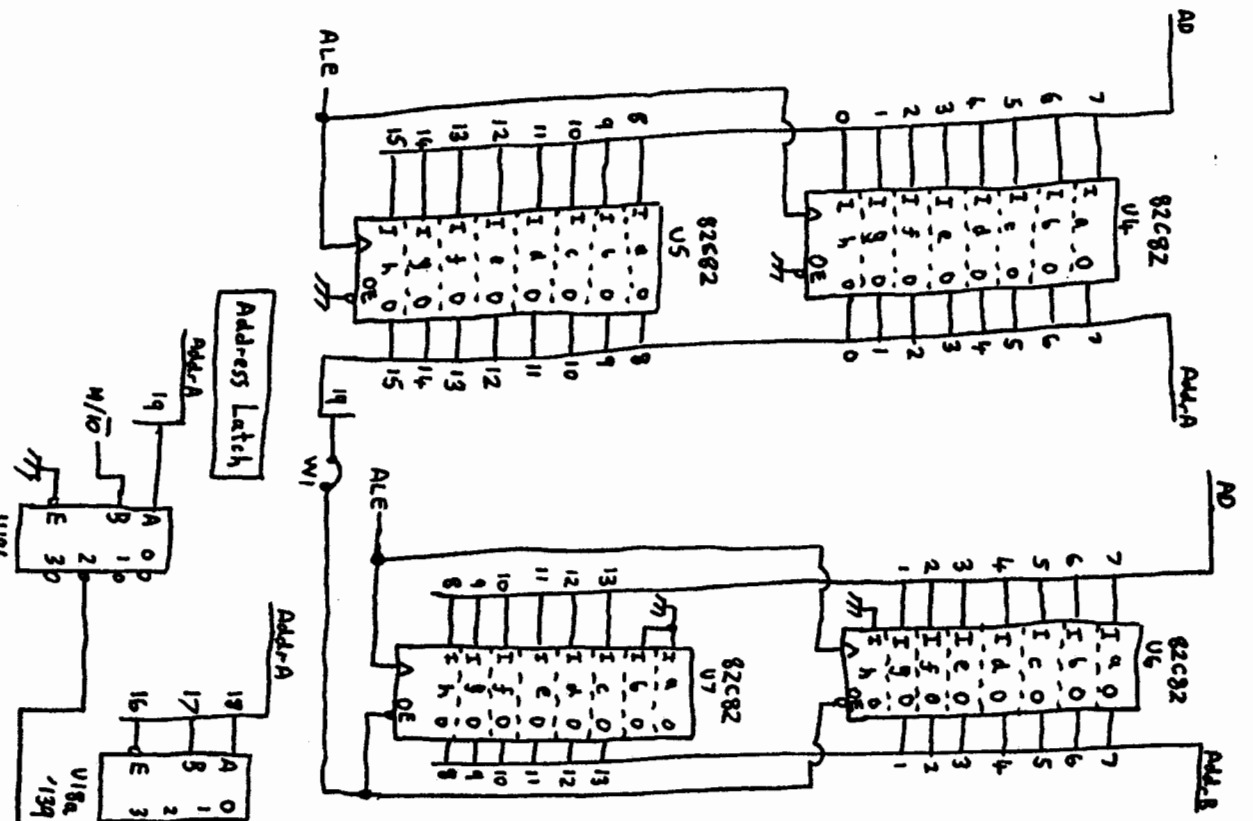
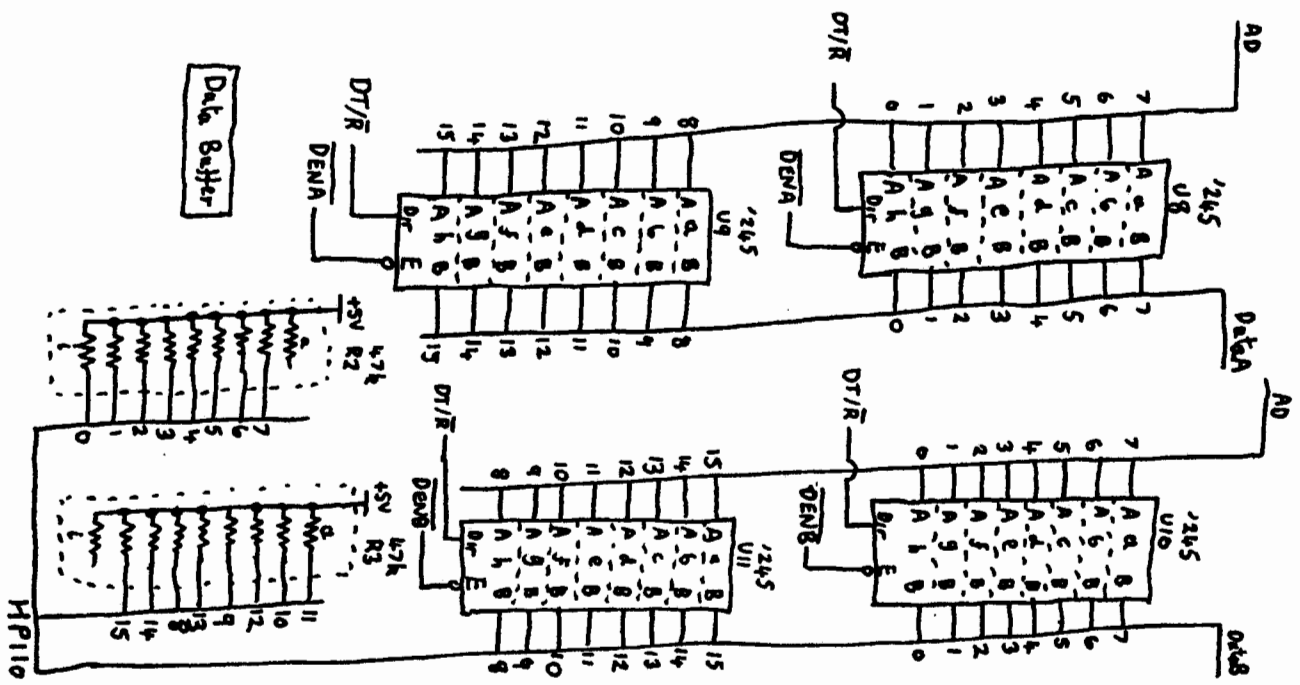


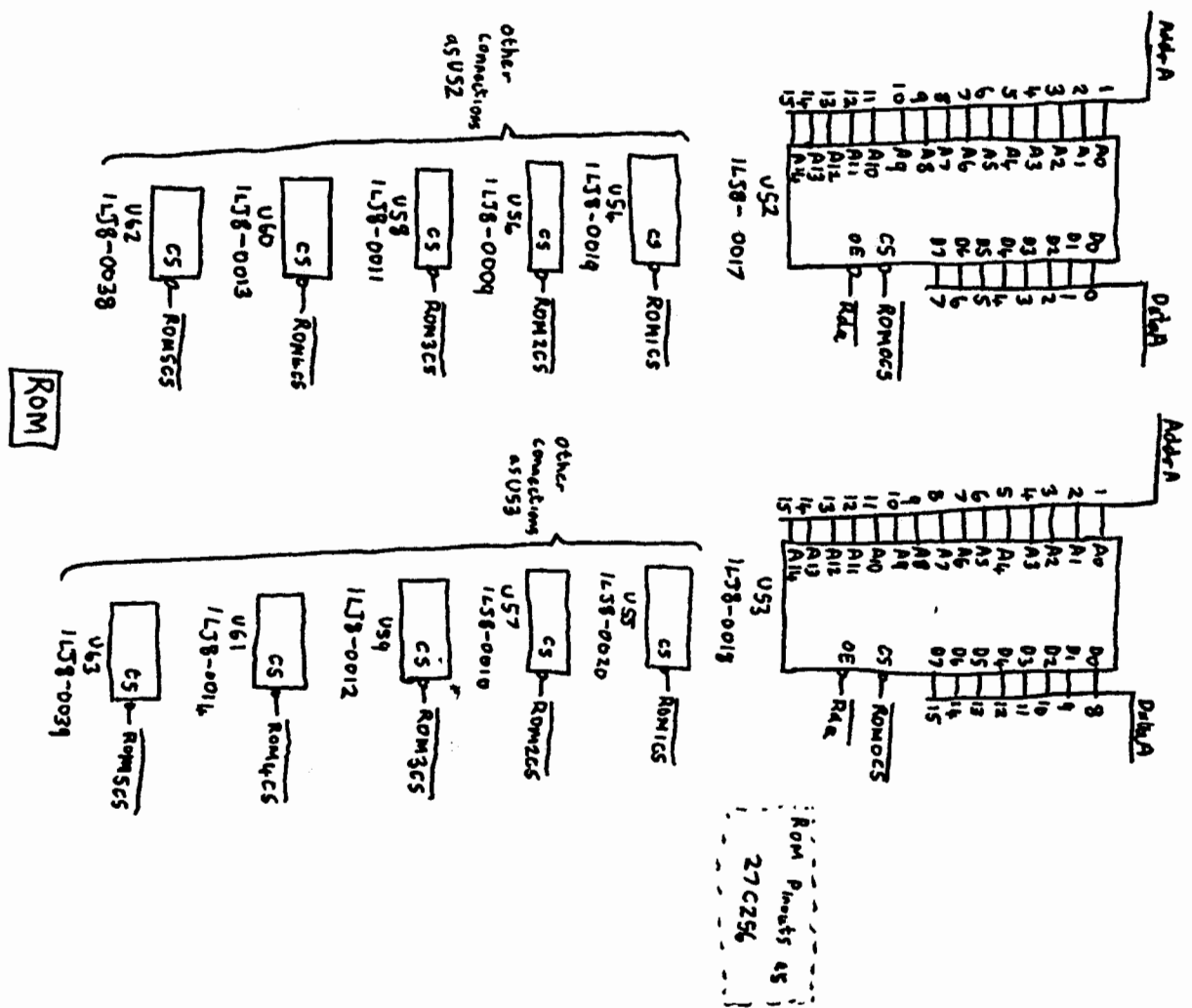
HP110 CPU/Memory PCB Sheet 2 00010-60001



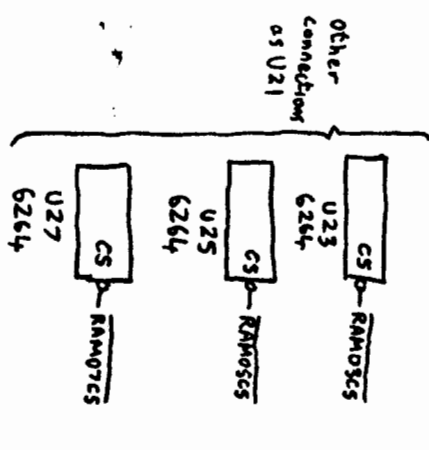
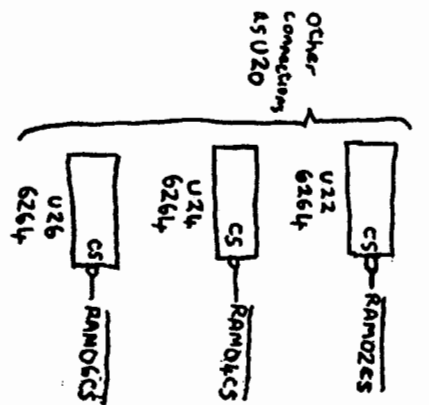
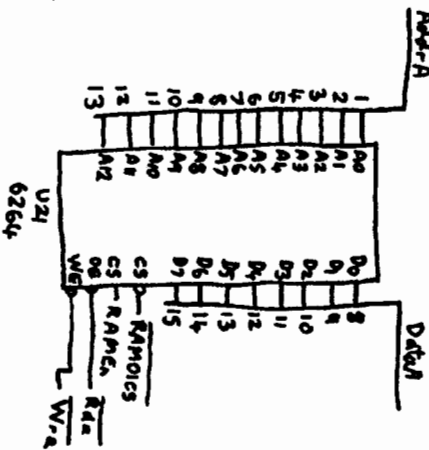
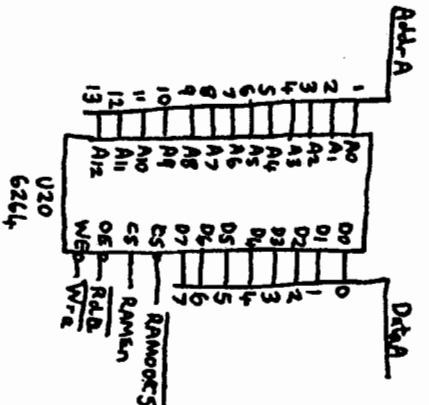
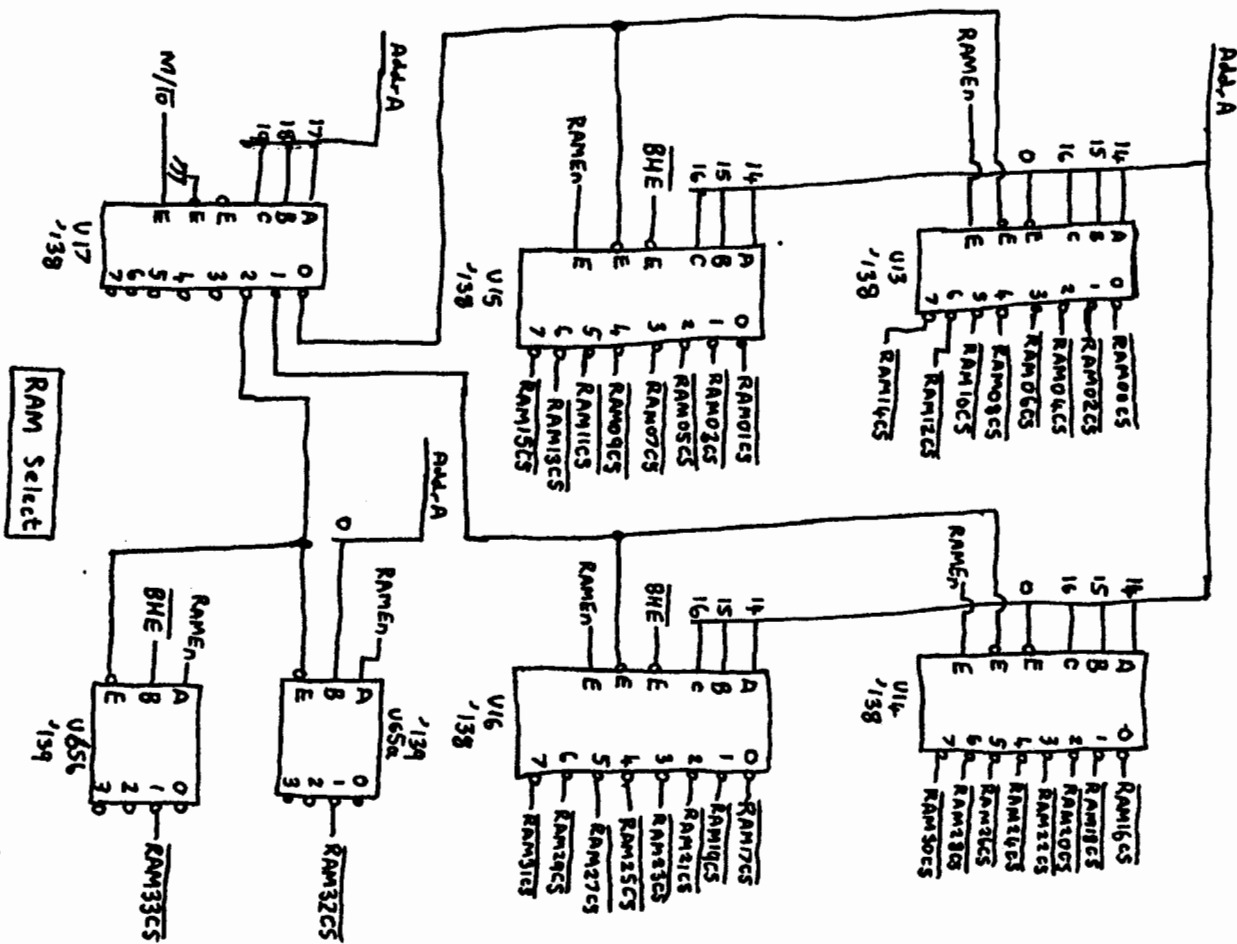


CPU/Memory PCB Sheet ③

00090-60001

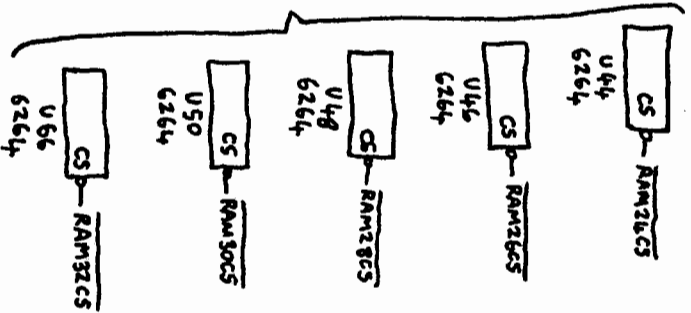
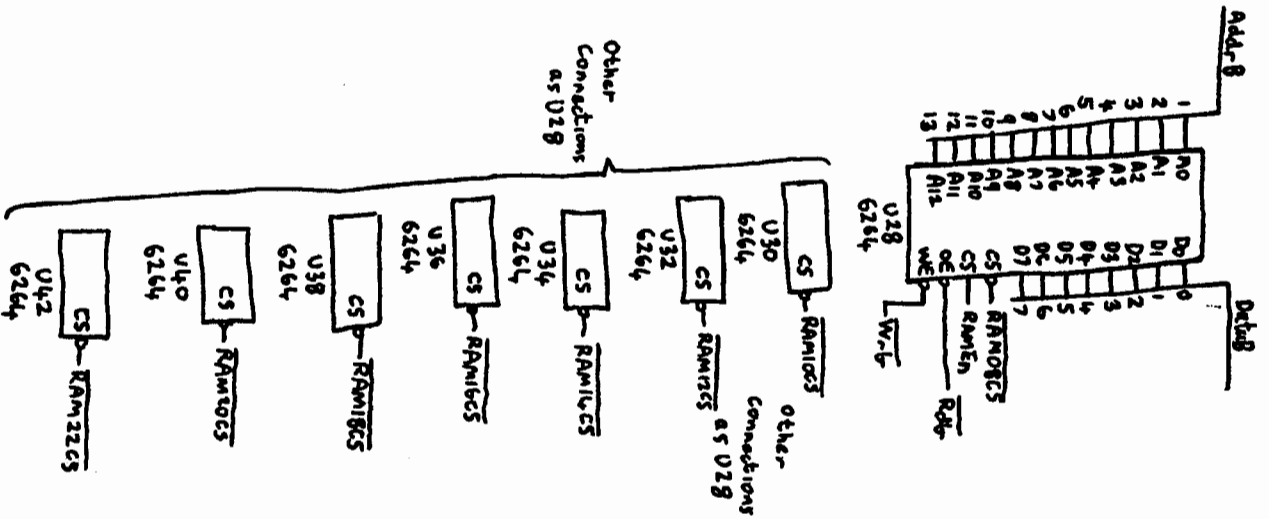


ROM Pins are 45
27CZ56

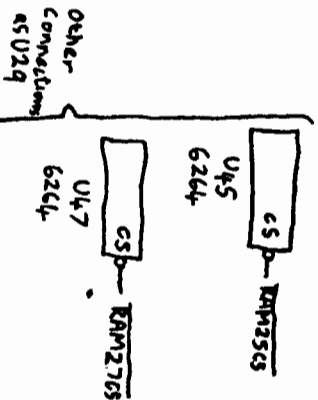
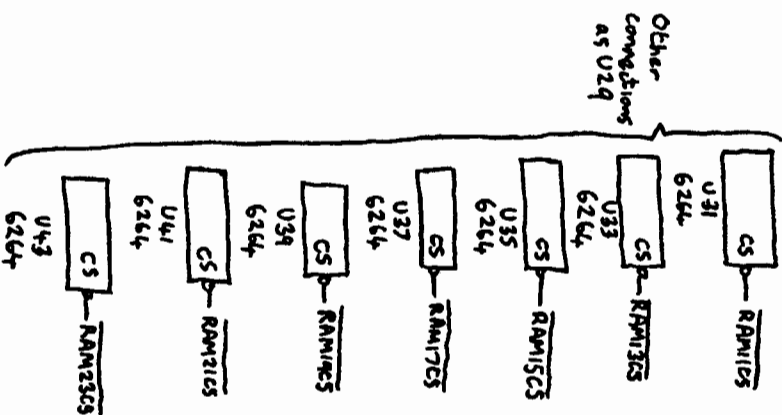
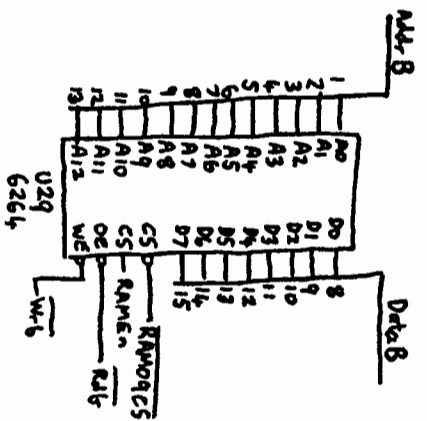


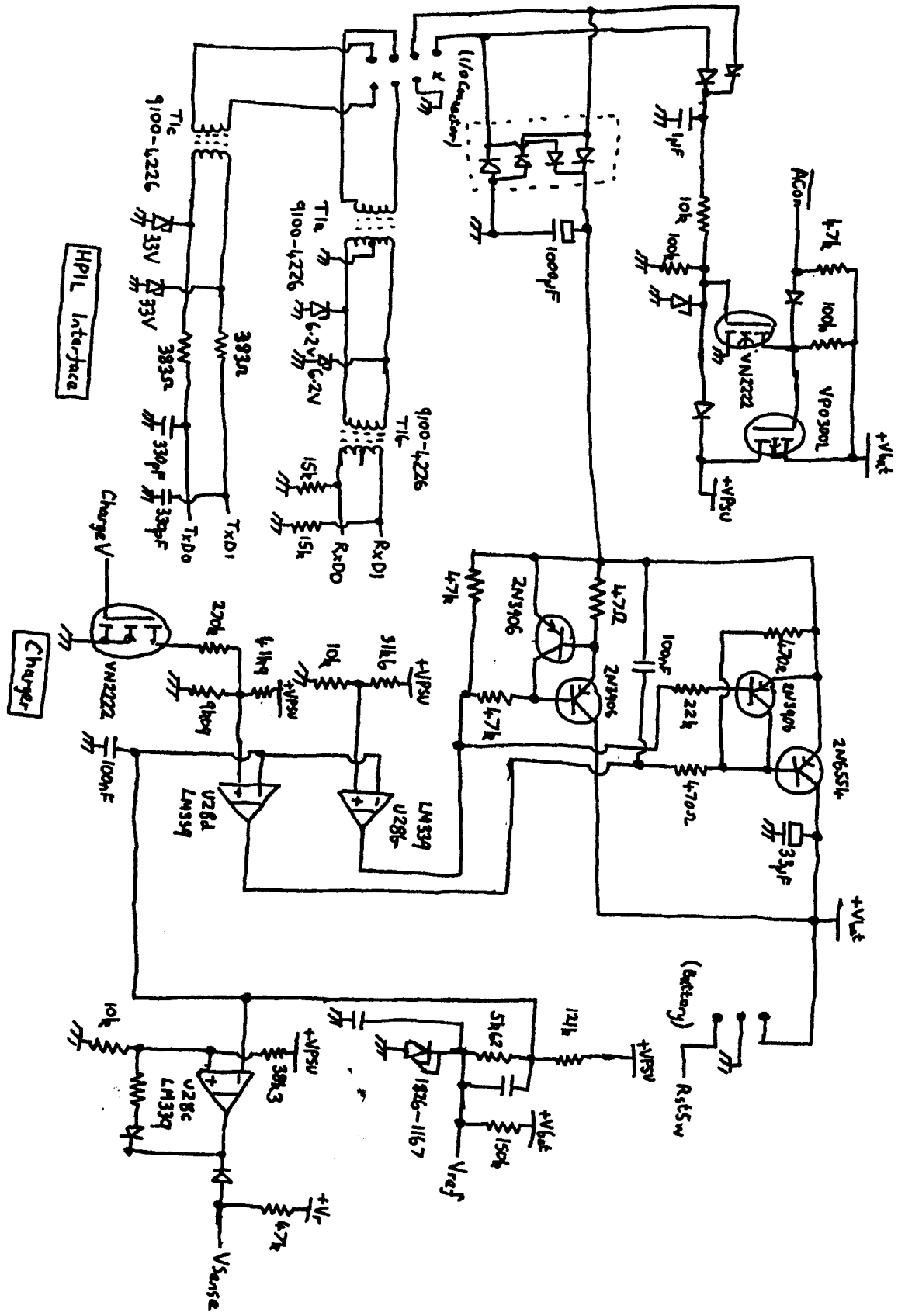
Low RAM

HP110 CPU/Memory PCB sheet ④ 00090-60001

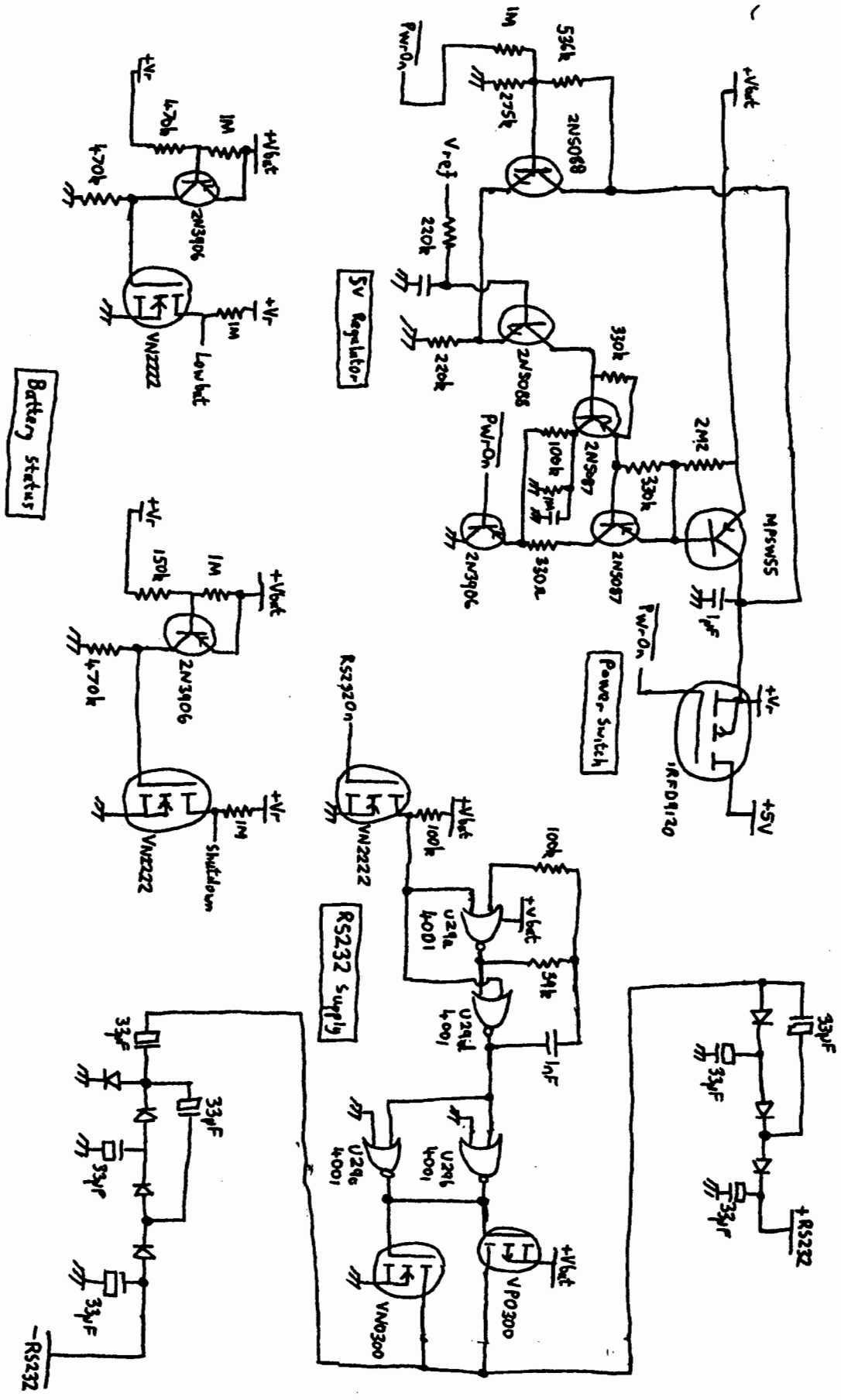


RAM





HP110 I/O PCB Sht 1 00090-60047

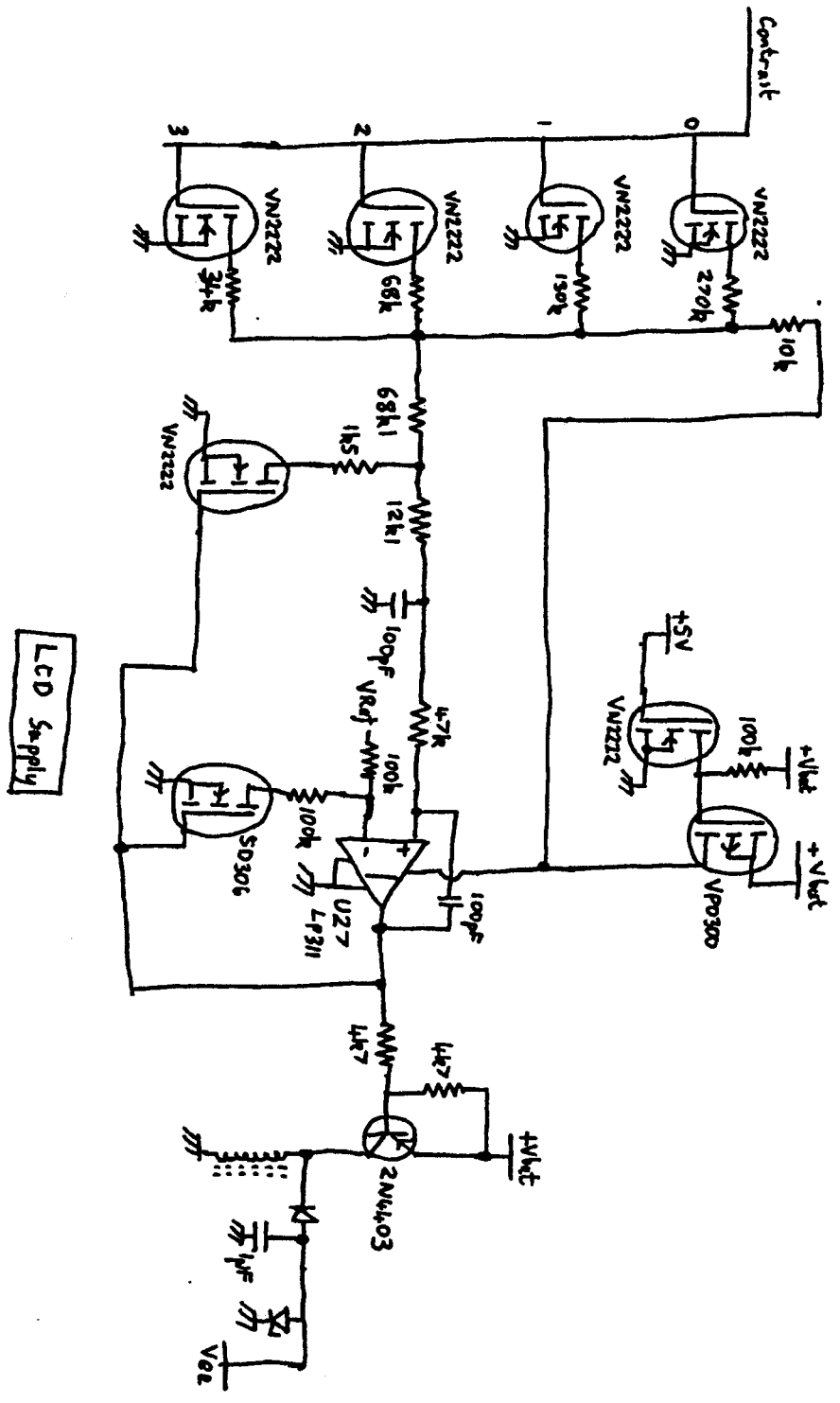


Battery status

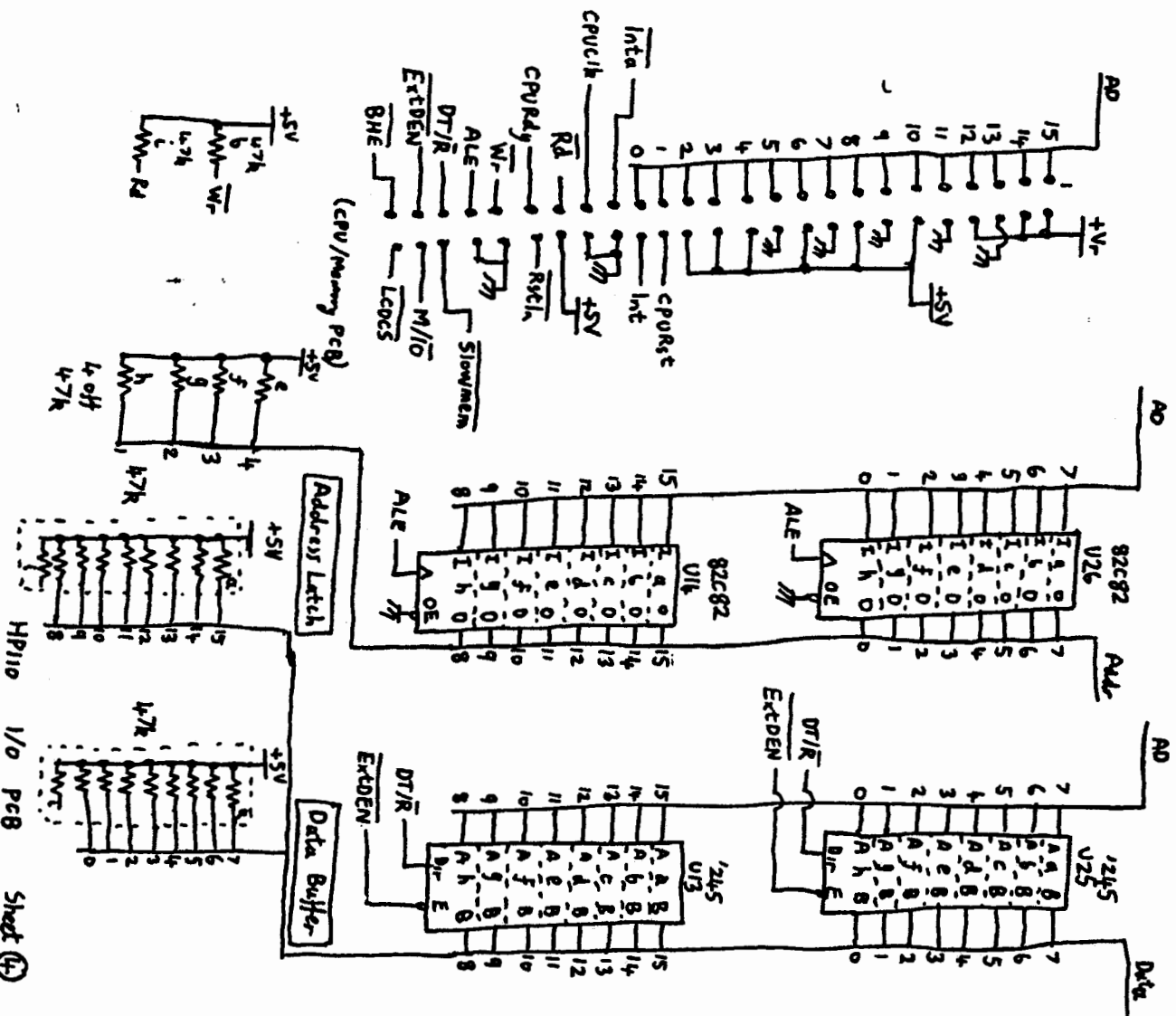
Power-Switch

3V regulator

RS232 supply

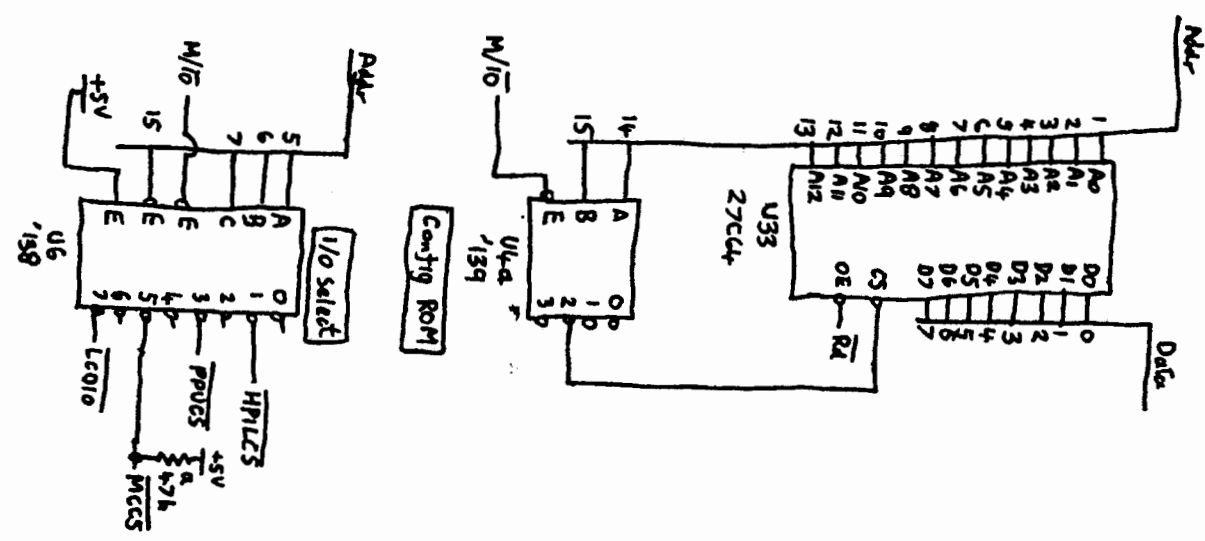


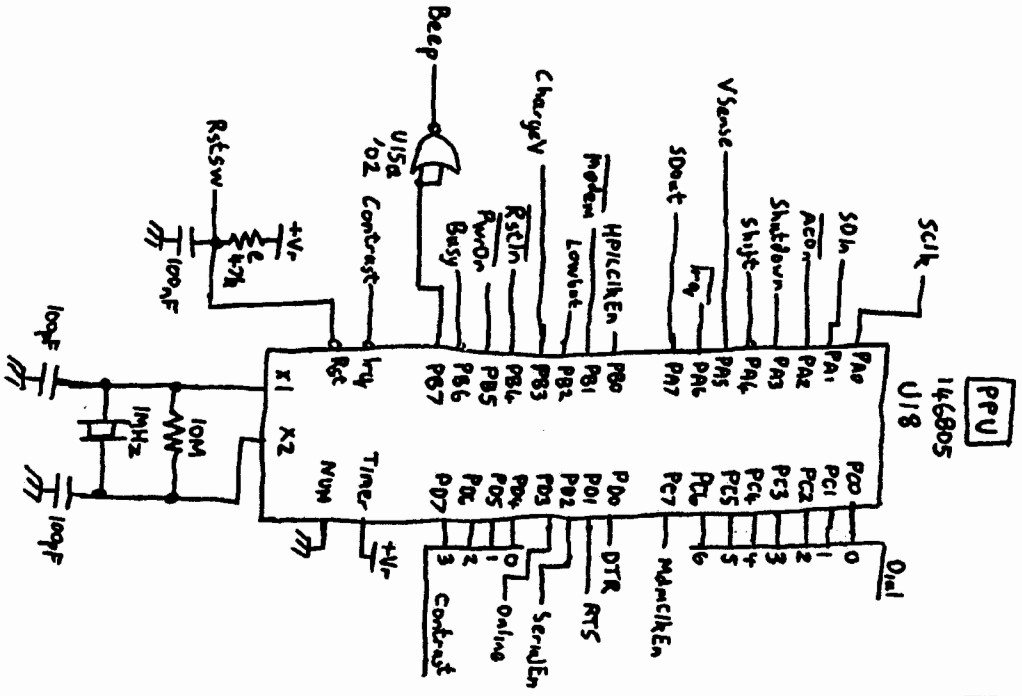
HP110 1/6 PCB Sheet ③ 00010-60047



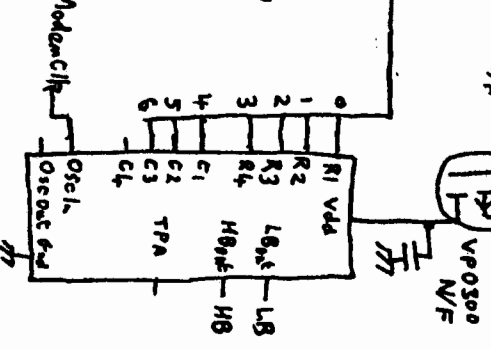
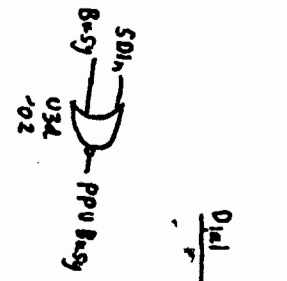
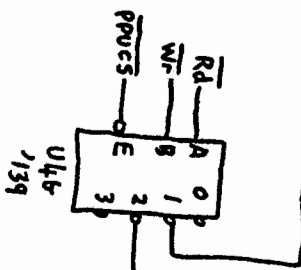
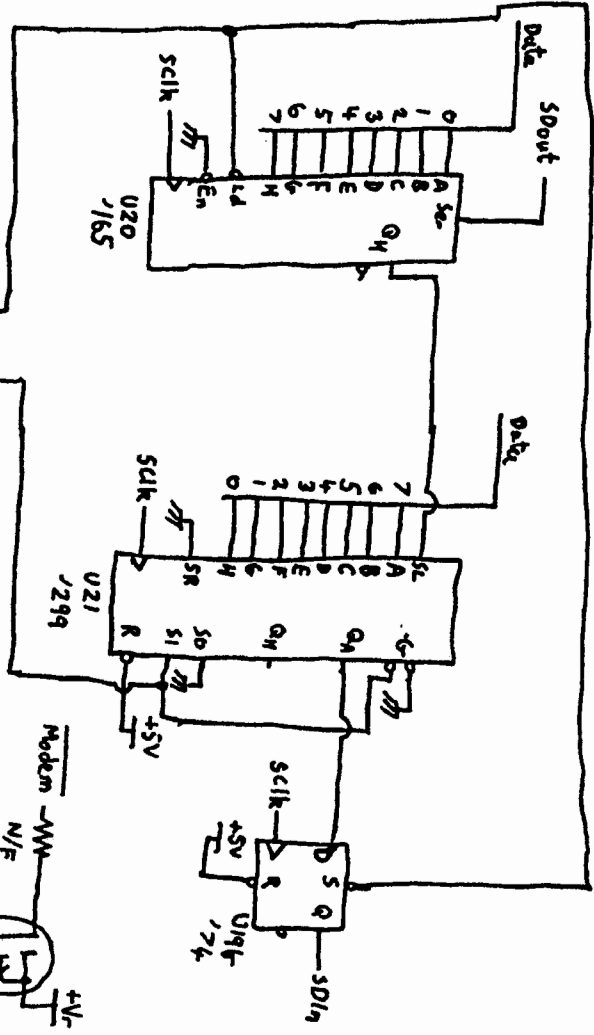
HP110 I/O PCB Sheet ④

00090-60047



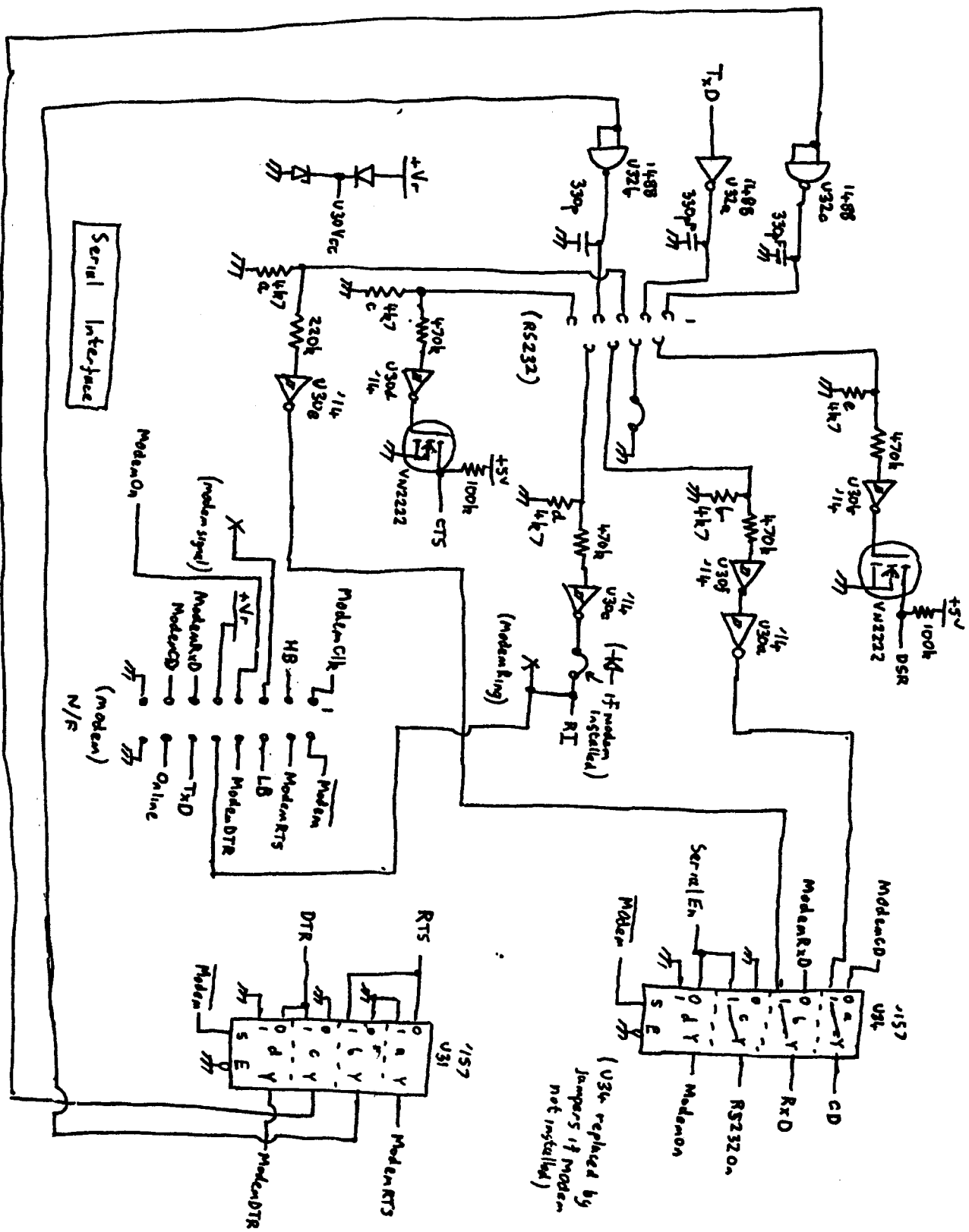


PPV Interface



HP110 I/O PCB Sheet 6 00090-60077

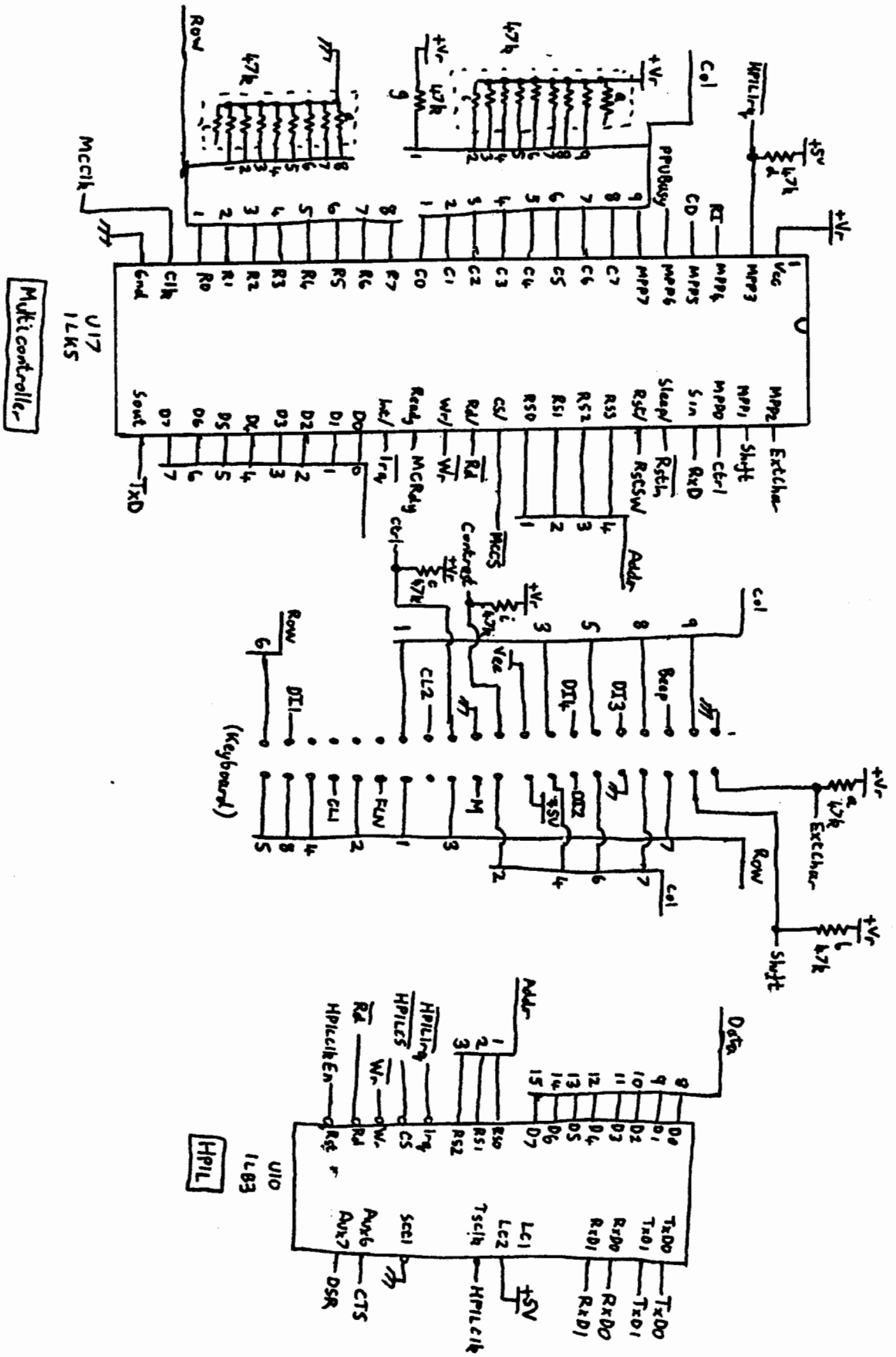
Dialer

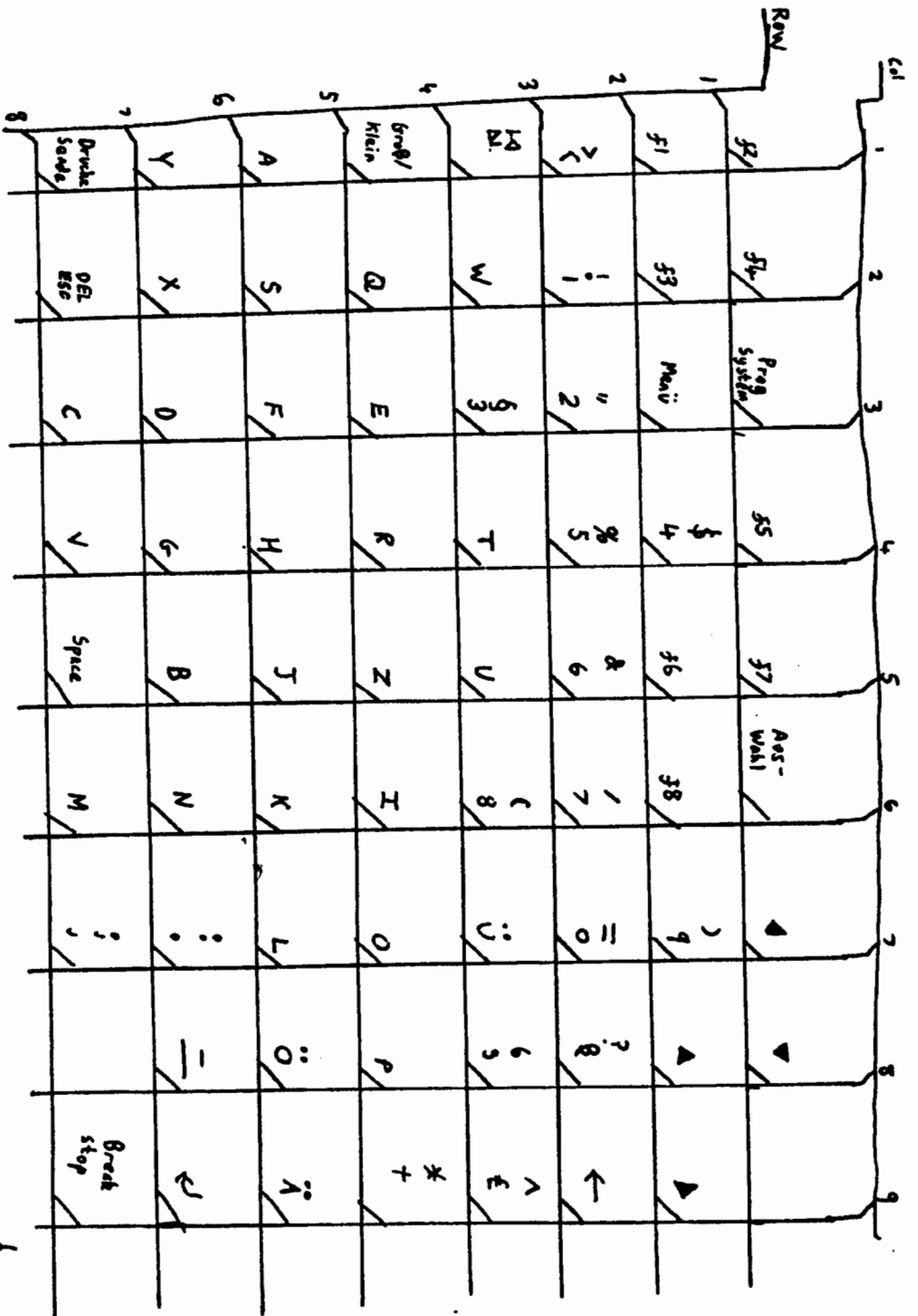
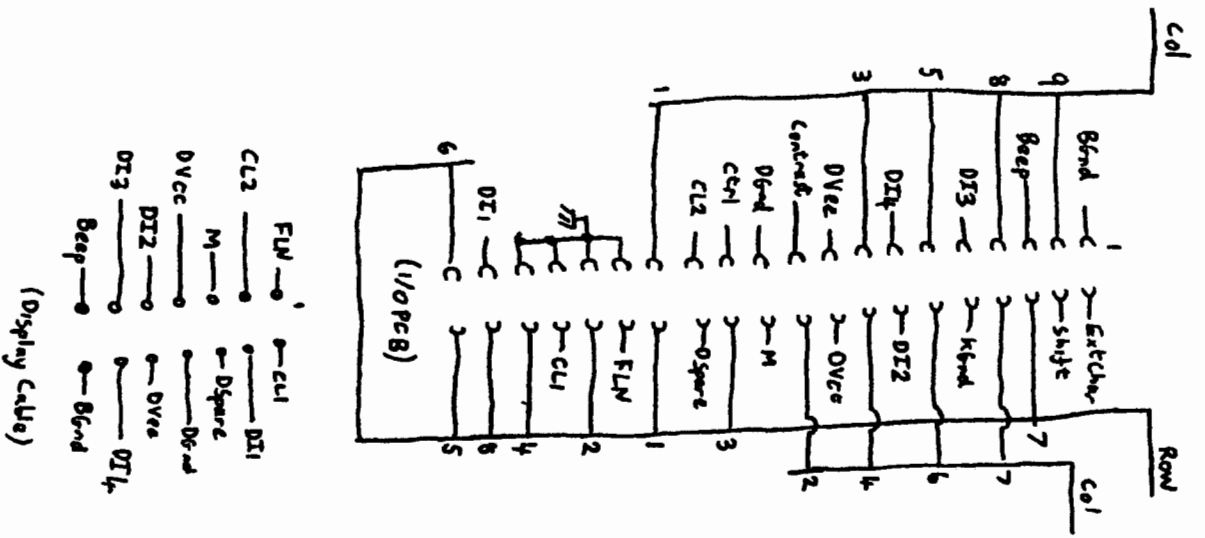


HP110 I/O PCB sheet 2

00090-60047

(U34 replaced by jumpers if Modem not installed)



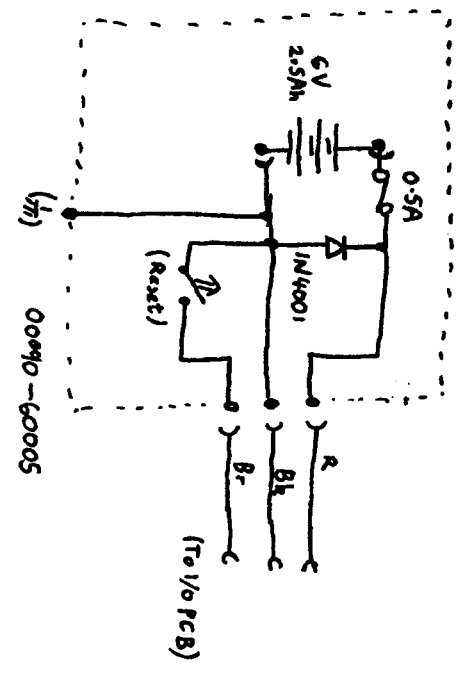
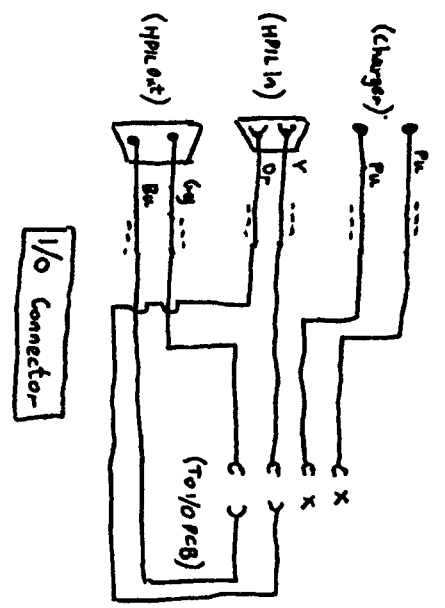
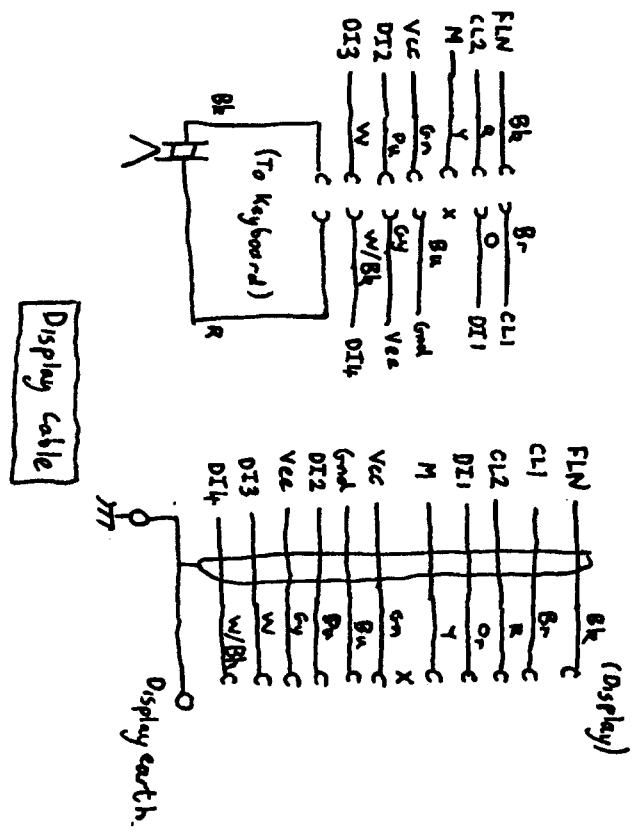


HP110 Keyboard (German)

00090-60063

f1	f2	f3	f4	Mani System	f5	f6	f7	f8	Auswahl	▲	▼	▶	
>	!	"	3	4	5	6	7	8	9	=	?	;	
<	1	2	3	4	5	6	7	8	9	=	?	;	
14	Q	W	E	R	T	Z	U	I	O	P	U	↵	
Groß/ Klein	KTRL	A	S	D	F	G	H	J	K	L	Ö	Ä	
DEL ESC	≡	Y	X	C	V	B	N	M	;	:	—	≡	
	Doppel Stufe	Sonder Zeichn.	Space Bar									Sonder Zeichn.	Recht Stufe

HP 110 Keycaps (German Keyboard)



HP110 wiring