

MODULE NO.	ADDRESSES		JUMPER PREFIX				UPPER/ LOWER 8K JUMPER
	DECIMAL	OCTAL	NOTE 1 9	10	11	12	NOTE 2 13
0	0-00255	00000-00377	0				
1	00256-00511	00400-00777	1	0	0	0	0
2	00512-00767	01000-01377					
3	00768-01023	01400-01777					
4	01024-01279	02000-02377	0				
5	01280-01535	02400-02777	1	1	0	0	0
6	01536-01761	03000-03377					
7	01762-02047	03400-03777					
8	02048-02303	04000-04377	0				
9	02304-02559	04400-04777	1	0	1	0	0
10	02560-02815	05000-05377					
11	02816-03071	05400-05777					
12	03072-03327	06000-06377	0				
13	03328-03583	06400-06777	1	1	1	0	0
14	03584-03849	07000-07377					
15	03850-04095	07400-07777					
16	04096-04351	10000-10377	0				
17	04352-04607	10400-10777	1	0	0	1	0
18	04608-04863	11000-11377					
19	04864-05119	11400-11777					
20	05120-05375	12000-12377	0				
21	05376-05631	12400-12777	1	1	0	1	0
22	05632-05887	13000-13377					
23	05888-06143	13400-13777					
24	06144-06399	14000-14377	0				
25	06400-06655	14400-14777	1	0	1	1	0
26	06656-06911	15000-15377					
27	06912-07167	15400-15777					
28	07168-07423	16000-16377	0				
29	07424-07679	16400-16777	1	1	1	1	0
30	07680-07935	17000-17377					
31	07936-08191	17400-17777					
32	08192-08447	20000-20377	0				
33	08448-08703	20400-20777	1	0	0	0	1
34	08704-08959	21000-21377					
35	08960-09215	21400-21777					
36	09216-09571	22000-22377	0				
37	09572-09727	22400-22777	1	1	0	0	1
38	09728-09983	23000-23377					
39	09984-10239	23400-23777					
40	10240-10495	24000-24377	0				
41	10496-10751	24400-24777	1	0	1	0	1
42	10752-10917	25000-25377					
43	10918-11263	25400-25777					
44	11264-11519	26000-26377	0				
45	11520-11775	26400-26777	1	1	1	0	1
46	11776-12031	27000-27377					
47	12032-12287	27400-27777					
48	12288-12543	30000-30377	0				
49	12544-12799	30400-30777	1	0	0	1	1
50	12800-13055	31000-31377					
51	13056-13311	31400-31777					
52	13312-13557	32000-32377	0				
53	13558-13823	32400-32777	1	1	0	1	1
54	13824-14079	33000-33377					
55	14080-14335	33400-33777					
56	14336-14591	34000-34377	0				
57	14592-14847	34400-34777	1	0	1	1	1
58	14848-15103	35000-35377					
59	15104-15359	35400-35777					
60	15360-15615	36000-36377	0				
61	15616-15871	36400-36777	1	1	1	1	1
62	15872-16127	37000-37377					
63	16128-16383	37400-37777					

1. Jumper 9 applies to block A only.
 2. Jumper 13 selects upper or lower 8K of control store.
 3. See figure 1-2 for jumper locations.

Figure 1-1. FAB Assembly Jumper Configurations

RECOMMENDED PROMs

One of the following recommended PROMs must be used to ensure reliable operation.

<u>4K PROMs</u>		<u>1K PROMs</u>	
HP Part No. 1816-1142		HP Part No. 1816-0782	
Signetics	N82S141F	Signetics	N82S129F
Harris	HMI-7641-5	Harris	HMI-7611-5
		Monolithic Memories	6301

1K ROM IC's in sockets A1 through A6. If part of the microprogram operates in the MSM (27400_s, to 27777_s), install the corresponding six 1K ROM IC's in sockets A7 through A12. (Refer to table 1-1 and figure 1-2.) Ensure that the IC's are oriented correctly as shown in figure 1-2 by matching pin 1 of each IC with the white dot of each IC socket.

- 4. Determine the jumper requirements to match the module(s) selected. For modules 46 and 47, install jumpers 9A, 10A, 11A, 12A, and 13 as 1, 1, 1, 0, and 1, respectively. (See figure 1-1.)

1-3. INSTALLATION/REMOVAL

Figure 1-2 shows the locations of the addressable block jumpers and ROM IC sockets. The shaded areas show the location of each ROM IC socket. Jumpers are designated 9A through 12A, 10B through 12B, 10C through 12C, 10D through 12D, and 13. The numerical jumper notations represent the ROM address register bits 9 through 13. The alphabetical jumper notations represent the associated block of addressable control store. In other words, jumper notations A, B, C, and D correspond to blocks A, B, C, and D, respectively.

INSTALLATION PROCEDURE

CAUTION

ROM IC's may be permanently damaged if oriented incorrectly when installed and power is applied.

- a. Consult with the system programmer and determine the starting address and length of control store required for the microprogram.
- b. For block A configuration, use table 1-1 and figure 1-1 for ROM location and jumper configuration requirements, respectively. Use the following example as a guide:
 - 1. Assuming the microprogram operates between 27000_s and 27777_s, figure 1-1 shows that modules 46 and 47 are required.
 - 2. Determine if the microprogram operates in the least significant module (LSM) or the most significant module (MSM). Module 46 is the LSM and module 47 is the MSM.
 - 3. If part of the microprogram operates in the LSM (27000_s to 27377_s) install the corresponding six

Table 1-1. ROM Locations for Block A

4-BIT SET	ROM PACKAGE LOCATION	
	LEAST SIGNIFICANT MODULE (LSM)	MOST SIGNIFICANT MODULE (MSM)
23-20 MSB	A6 (XU608)	A12 (XU808)
19-16	A5 (XU607)	A11 (XU807)
15-12	A4 (XU606)	A10 (XU806)
11-8	A3 (XU604)	A9 (XU804)
7-4	A2 (XU603)	A8 (XU803)
3-0 LSB	A1 (XU602)	A7 (XU802)

Notes:

1. Locations A1-A6 are selected first (the lower 1/4K configuration).
2. Locations A7-A12 are selected last (the upper 1/4K configuration).
3. See figure 1-2 for ROM locations.

Table 1-2. ROM Locations for Blocks B, C, and D

8-BIT SET	ROM PACKAGE LOCATION	
	LEAST SIGNIFICANT MODULE PAIR (LSMP)	MOST SIGNIFICANT MODULE PAIR (MSMP)
23-16 MSB	B3 (XU404)	B6 (XU409)
	C3 (XU204)	C6 (XU209)
	D3 (XU104)	D6 (XU109)
15-8	B2 (XU402)	B5 (XU408)
	C2 (XU202)	C5 (XU208)
	D2 (XU102)	D5 (XU108)
7-0 LSB	B1 (XU401)	B4 (XU406)
	C1 (XU201)	C4 (XU206)
	D1 (XU101)	D4 (XU106)

Notes:

1. Locations suffixed 1, 2, and 3 are selected first (the lower 1/2K configuration).
2. Locations suffixed 4, 5, and 6 are selected last (the upper 1/2K configuration).
3. See figure 1-2 for ROM locations.

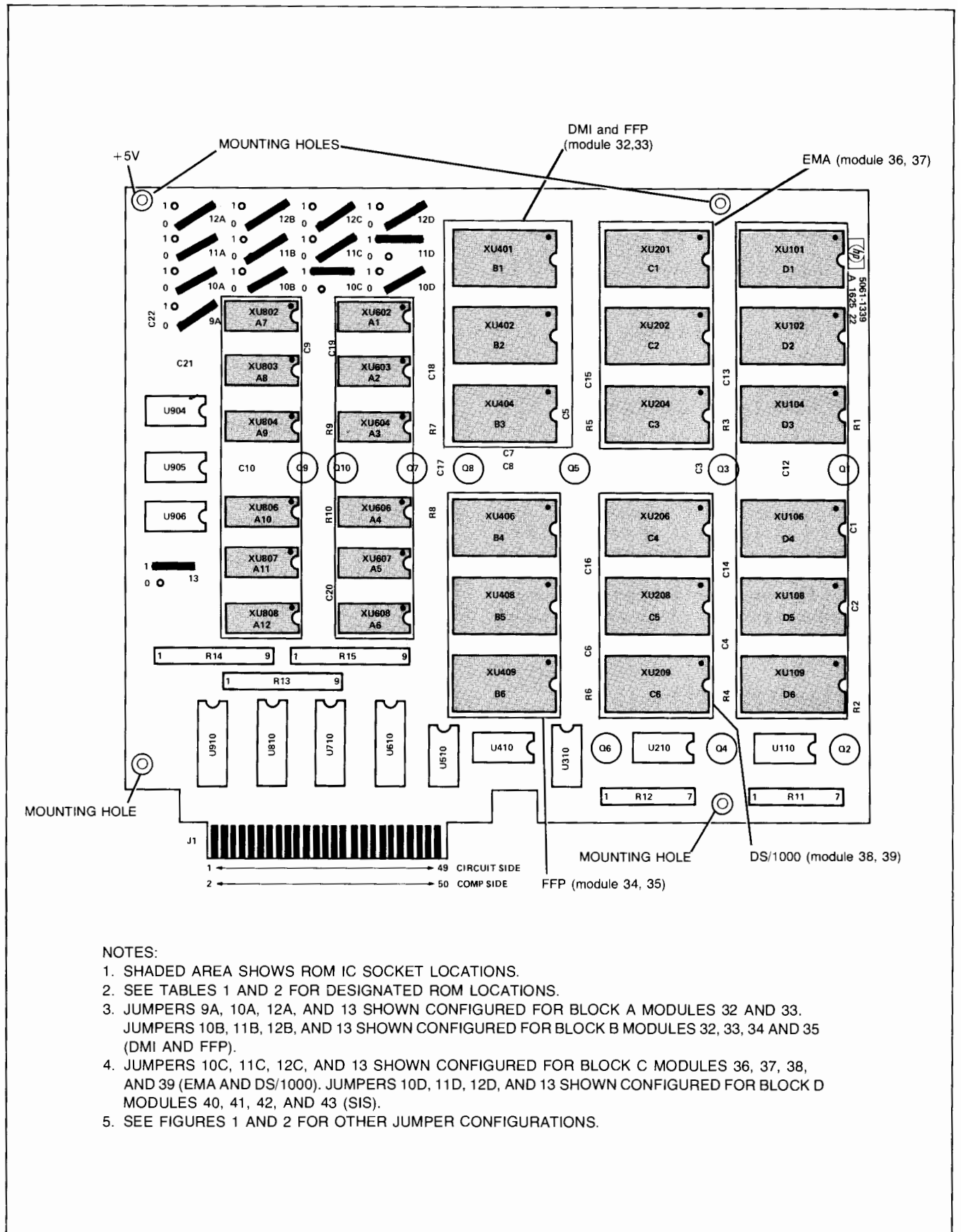


Figure 1-2. Firmware Accessory Board

- c. For block B, C, or D configuration, use table 1-2 and figure 1-1 for ROM location and jumper configuration requirements, respectively. Use the following example as a guide:
1. Assuming the microprogram operates between 34000₈ and 35777₈, figure 1 shows that modules 56, 57, 58, and 59 are required.
 2. Determine if the microprogram operates in the least significant module pair (LSMP) or the most significant module pair (MSMP). Modules 56 and 57 are the LSMP and modules 58 and 59 are the MSMP.
 3. If part of the microprogram operates in the LSMP (34000₈ to 34777₈), install the corresponding three 4K ROM IC's in sockets B1 through B3. (Refer to table 1-2 and figure 1-2.) If part of the microprogram operates in the MSMP (35000₈ to 35777₈), install the corresponding three 4K ROM IC's in sockets B4 through B6. Although blocks B, C, or D may be used, it is recommended that block B be used first, block C second, and block D last. Ensure that the IC's are oriented correctly as shown in figure 1-2 by matching pin 1 of each IC with the white dot of each IC socket.
 4. Determine the jumper requirements to match the modules selected. For modules 56 through 59, install jumpers 10B, 11B, 12B, and 13 as 0, 1, 1, and 1, respectively. (See figures 1-1 and 1-2.)
- i. Replace bottom cover.
 - j. Connect I/O extender cable assembly (if present) to CPU PCA connector J3.
 - k. Connect power cord to the computer and set ~LINE and BATTERY switches to ON.
 - l. Check that the +5V CPU voltage, when measured at the crossover board test point is 5.15 Volts. Adjust if necessary. The adjustment procedure is located in the appropriate Installation and Service Manual.

Installation is now complete and ready for the user's control store microprogramming application.

REMOVAL PROCEDURE

- a. Set ~LINE and BATTERY switches to OFF and disconnect the power cord.
- b. Disconnect I/O extender cable assembly (if present) from CPU PCA edge connector.
- c. Loosen screw located in rear fold of bottom cover; slide cover toward rear and remove.
- d. Remove FAB ribbon connector assembly between FAB assembly connector J1 and CPU PCA connector J2.
- e. Remove the four screws and lockwashers (see figure 1-3) which fasten the FAB to the CPU standoffs.

Removal is now complete, refer to the previous section for configuration and installation procedures.

WARNING

Hazardous voltages are present inside the computer mainframe! Before installing the FAB, set the ~LINE and BATTERY switches to OFF and DISCONNECT THE POWER CORD!

- d. Set ~LINE and BATTERY switches to OFF and disconnect the power cord.
- e. Disconnect I/O extender cable assembly (if present) from CPU PCA edge connector.
- f. Loosen screw located in rear fold of bottom cover; slide cover toward rear and remove.
- g. Position FAB assembly over the CPU PCA standoffs and fasten it securely with the four screws and lockwashers. (See figure 1-3.) Note that the FAB assembly obtains its dc power from the CPU PCA standoffs.
- h. Connect FAB connector assembly between FAB assembly connector J1 and CPU PCA connector J2.

1-4. SERVICE INFORMATION

Because of its design, the FAB assembly is field replaceable as an assembly. However, a system failure can be isolated to the FAB-ROM combination by running the appropriate self test and/or diagnostic corresponding to the firmware that is installed on the FAB.

- a. If Scientific Instruction Set (SIS), Extended Memory Area (EMA), Dynamic Mapping Instructions (DMS), Fast Fortran Processor (FFP), or Distributed System Firmware (DS/1000) is installed on the FAB, run the associated selftest and/or diagnostic. Self tests are described in the appropriate section of this manual. For diagnostic operation, the appropriate diagnostic manual must be consulted.
- b. If a particular test fails, verify that the address jumpers on the FAB are configured correctly. Ensure that the ribbon cable is correctly seated.

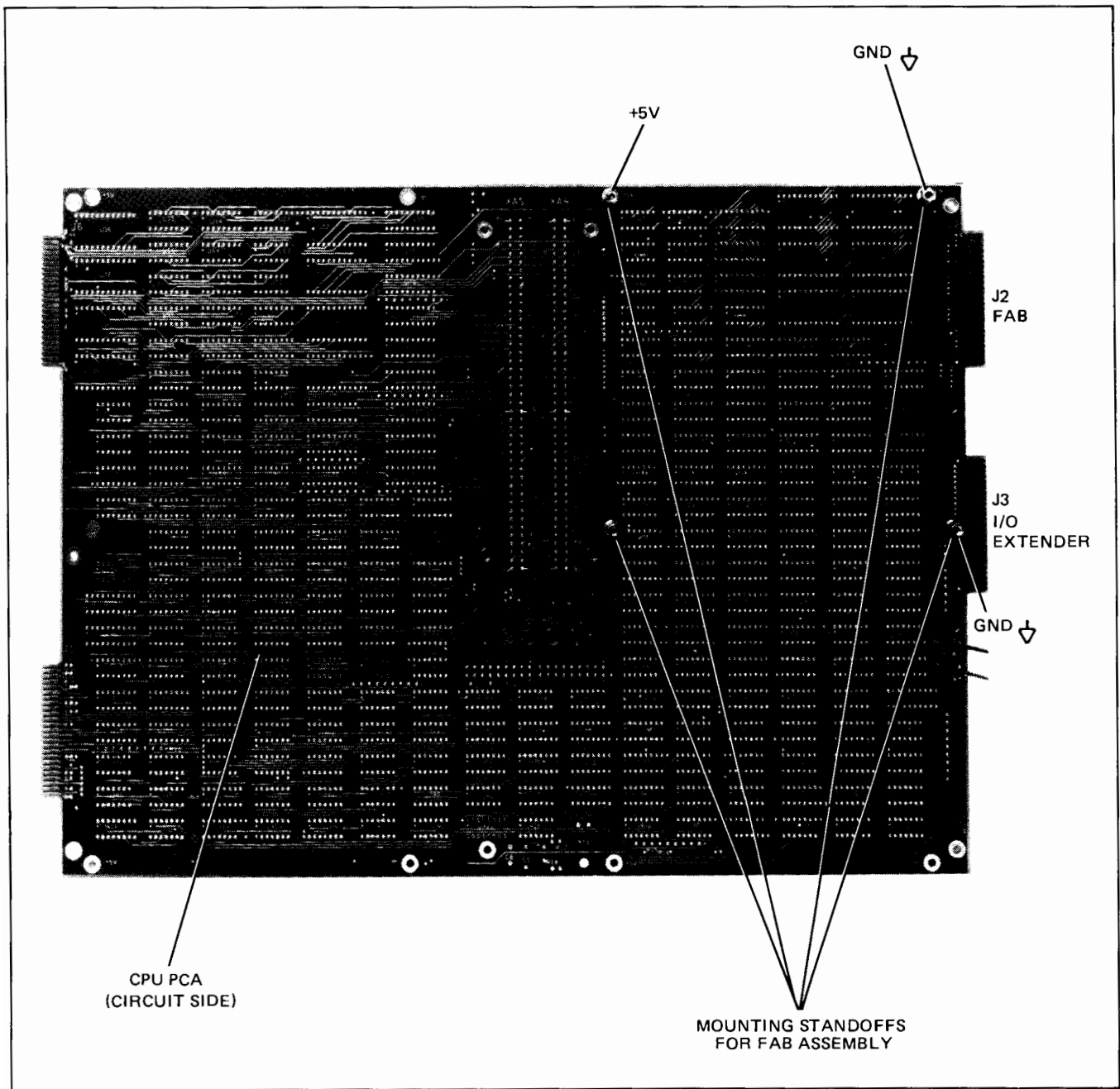


Figure 1-3. Firmware Accessory Board Mounting Details

- c. Verify that the +5V CPU voltage is set at the recommended setting of 5.15 volts when measured at the crossover PCA test point. Refer to the appropriate installation and service manual for the power supply voltage adjustment.
- d. If the test still fails, insert a known good set of ROMs in the failing locations and re-run the diagnostic and/or self test.
- e. If the test now passes, defective ROMs are indicated. Change one ROM at a time to isolate the defective ROM(s).

If after installing a new FAB, the test still fails, install a new ribbon cable assembly and run the tests again.

If the test still fails, a defective FAB or ribbon cable assembly is indicated. Install a new FAB and run the tests.

- f. If a failure still exists, contact your nearest Hewlett-Packard Sales and Service Office. A list of HP Sales and Service Offices is provided in the appropriate HP 1000 Series Computer Installation and Service Manual.

HP 12791A FIRMWARE EXPANSION MODULE

SECTION

II

2-1. INTRODUCTION

This section provides installation and service information for the HP 12791A Firmware Expansion Module (FEM) which is standard on the HP 1000 E/F-Series Computers and is an accessory for the HP 1000 M-Series Computer. Installation and reference information for the various HP firmware options which can be installed on the FEM can be found in the appropriate section of this manual. Additional information is provided in this manuals listed in the preface.

NOTE

Terminology may differ somewhat between the M-Series and E/F-Series computers. The E/F-Series terminology will be used, but the M-Series user should note that the following are synonymous.

<u>E/F-Series</u>	<u>M-Series</u>
Control Memory	Control Store
Control Memory Address Register (CMAR)	ROM Address Register (RAR)
Microinstruction Register (MIR)	ROM Instruction Register (RIR)

2-2. DESCRIPTION

The 16,384 words of addressable Control Memory in the HP 1000 E/F-Series computers are divided into sixty-four 256 word modules (0 through 63). The 4,196 words of addressable Control Memory in the HP 1000 M-Series computer are divided into sixteen 256 word modules (0 through 15). See the appropriate figure, 11-1, 11-2, or 11-3 in section XI for the allocation of Control Memory. The modules which hold the computer base instruction set are not available to the user microprogrammer (modules 0,1,14,15 in M-Series and modules 0,1,2,3 in E/F-Series computers). Any other Control Memory modules not filled by microprogrammed Hewlett-Packard options are available to the user microprogrammer. It is recommended that the user microprogrammer only use modules which are not HP reserved, or specified for HP microprogrammed options. If the user microprogrammer uses modules which are specified for HP firmware options or HP reserved, he will not be able to use present or future HP microprogrammed options which reside in those Control Memory modules.

The HP 12791A Firmware Expansion Module (FEM) contains 24 integrated-circuit (IC) sockets which are divided into eight sets of three sockets each (see figure 2-1). Each

set of three 24 pin sockets can accommodate 4k (512×8) or 8k (1024×8) read-only-memory (ROM) ICs. Since each set is individually addressable, up to eight discrete sections (or blocks) of Control Memory can be installed on the FEM. Each set of sockets has a corresponding 10 rocker switch DIP pack which is configured to enable or disable the set, specify the size of ROMs used, and specify the Control Memory modules which will be addressed by these sockets (see table 2-1 for switch configuration settings).

BLOCK ADDRESSING

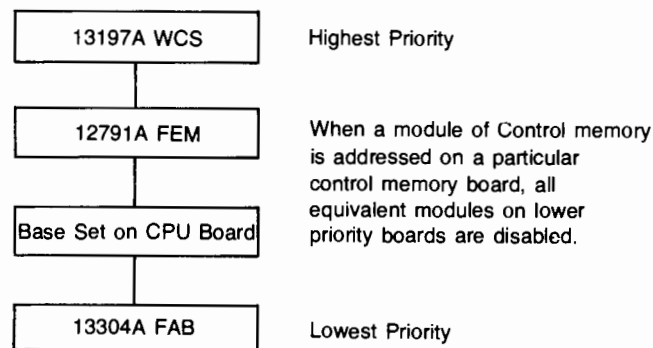
The eight sets of three 24-pin sockets are identified as SETA, SETB, SETC, SETD, SETE, SETF, SETG, and SETH. Within each set, the sockets are designated as sockets 1, 2, or 3 (e.g. A1, A2, and A3). Socket A1 contains the least significant bits (bits 0-7) of the microinstruction, socket A2 contains bits 8-15, and socket A3 contains the most significant bits (bits 16-23). The corresponding 10 rocker switch DIP packs are identified as SWA, SWB, SWC, SWD, SWE, SWF, SWG, and SWH.

If 4k ROMs (512 word by 8 bit) are used in a set, the set contains 512 words (two contiguous modules) of Control Memory. The two contiguous modules begin on an even module number (e.g., 36 and 37, or 52 and 53). If 8k ROMs (1024 word by 8 bit) are used in a set, the set contains 1024 words (four contiguous modules) of Control Memory. The four contiguous modules begin on a module number which is an even multiple of 4 (e.g., 24 through 27, or 48 through 51). Both 4k and 8k ROMs can be used on the FEM at the same time, since each set of 3 sockets can be individually configured for ROM size. Switch settings and part locations are shown in table 2-1 and figure 2-1 respectively.

PRIORITY

Control Memory modules installed on the FEM assembly have lower priority than the 13197A Writable Control Store (WCS) but higher priority than the base instruction set located on the CPU PCA or the FAB board.

In an E/F-Series Computer the priority is as follows:



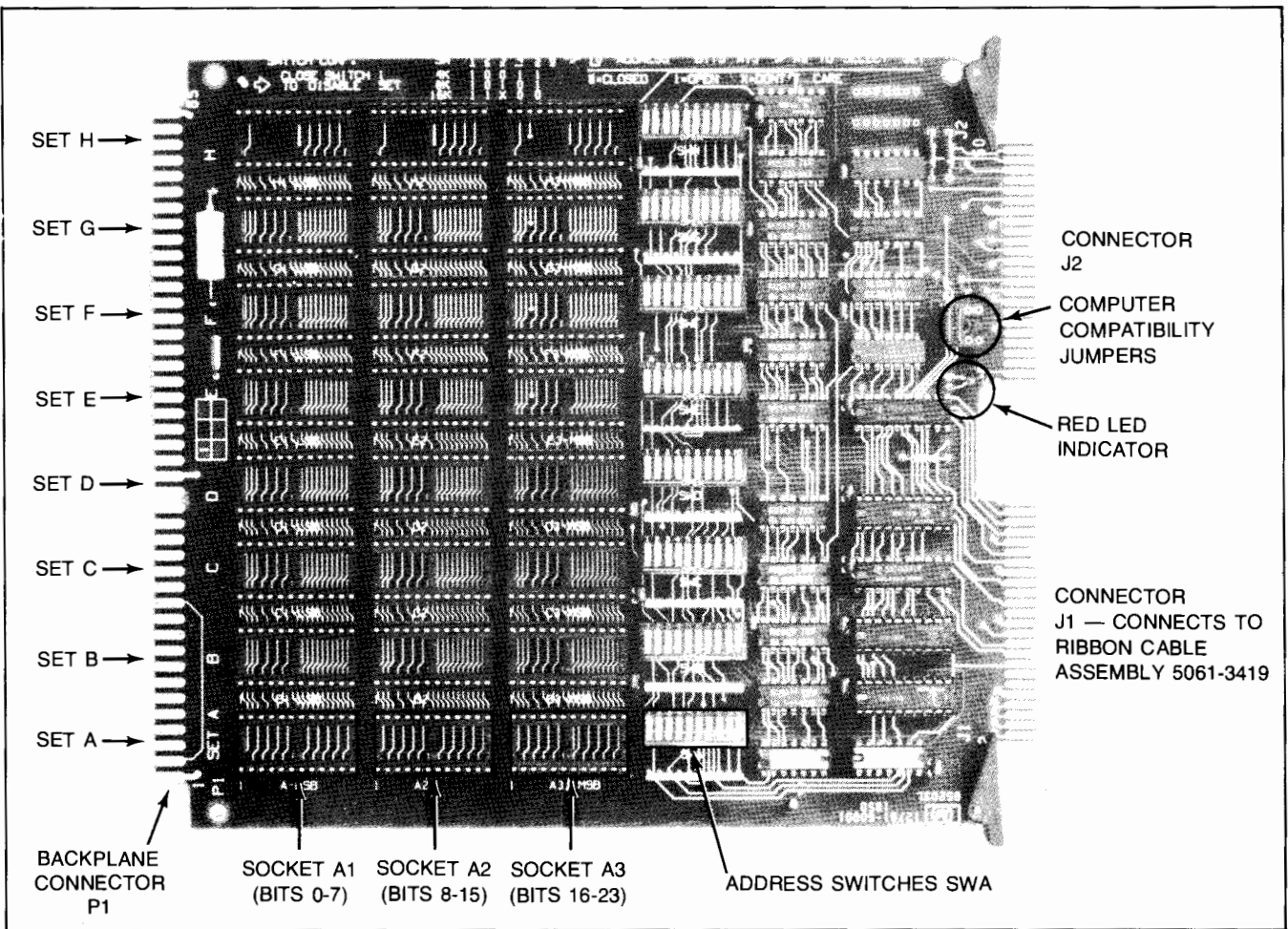
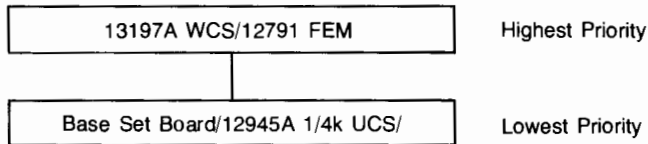


Figure 2-1. Firmware Expansion Module

In a M-Series Computer the priority is as follows:



RECOMMENDED PROMs

The following are the recommended PROMs for use with the FEM.

<u>4k PROMs</u>		<u>8k PROMs</u>	
HP Part No.	1816-1163	HP Part No.	1816-1160
Signetics	N82S141F	Signetics	N82S181F
Harris	7641	Harris	7681
Monolithic Memories	6341	Monolithic Memories	6381

PRODUCT CONTENTS

The HP 12791A Firmware Expansion Module Product consists of the following:

<u>Description</u>	<u>HP Part No.</u>	<u>Quantity</u>
Firmware Expansion Module Assembly	12791-60001	1
Ribbon Cable Assembly	5061-3419	1
HP 1000 M/E/F-Series Firmware Installation and Reference Manual	12791-90001	1

2-3. INSTALLATION/REMOVAL

POWER REQUIREMENTS

The +5V power required by the Firmware Expansion Module is obtained from the processor I/O backplane. An unloaded FEM (no ROMs installed) sinks 1.20 amperes of +5V I/O current. Each set of three ROMs installed on the

WARNING

Hazardous voltages are present inside the processor mainframe! Before installing the FEM, set the AC LINE AND BATTERY switches to OFF and DISCONNECT THE POWER CORD!



FEM sinks an additional .525 amperes of current, regardless if the ROMs are 4k or 8k ROMs. Therefore, a fully loaded FEM will sink 5.4 amperes. Calculate the total current required by the FEM and all other printed-circuit assemblies (PCA's) resident in the processor I/O cage. If the total current requirement is greater than the +5V I/O supply capability, then one or more interface PCA's must be removed and installed in a HP 12979A/B I/O Extender.

NOTE

The processor I/O current availability is given in the appropriate HP 1000 Operating and Reference Manual.

INSTALLATION PROCEDURE

Figure 2-1 identifies each set of sockets and the associated address switches. Control Memory allocation is contained in tables 11-1, 11-2, and 11-3 in section XI. Refer to the appropriate table to determine the starting address of the Control Memory modules which are to be installed on the FEM. Table 2-1 contains the switch settings which determine the Control Memory modules that will be addressed by the set of sockets.

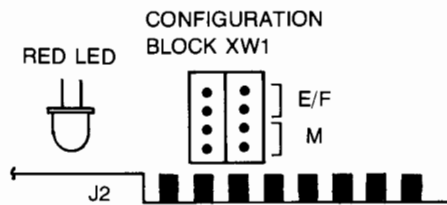
To install the FEM, proceed as follows:

CAUTION

ROM IC's may be permanently damaged if oriented incorrectly when installed and power is applied.

- If the firmware is HP supplied optional firmware, see the appropriate table in section XI to determine the module number and starting address of the firmware. If user written firmware is to be installed, the microcode should occupy Control Memory modules which are specified for user microprogramming.
- On the FEM, load the three ROM IC's corresponding to the Control Memory modules to be installed into one of the eight sets of sockets. Ensure that the ROM IC's are oriented with the notched ends facing the same direction as the other IC's on the board (towards backplane connector P1). The ROM containing the least significant bits (bits 0-7) of the microinstruction is to be installed in socket 1, the ROM containing bits 8-15 is to be installed in socket 2, and the ROM containing the most significant bits (bits 16-23) is to be installed in socket 3.
- Set the associated address switches for the appropriate modules of Control Memory as specified in table 2-1.
- Repeat steps a, b, and c for each section of Control Memory which is to be installed.
- All unused socket sets must be disabled by setting switch S1 of the unused sets to the closed position.

- Set the computer compatibility jumpers on the FEM as shown below. The jumpers should be in the appropriate sockets to correspond to the type of computer with which the FEM is to be used.



- Set the AC LINE and BATTERY switches to OFF and disconnect the power cord.
- Disconnect battery cable (if present) from BAT. INPUT connector and remove I/O PCA cage cover.
- Disconnect I/O extender cable assembly (if present) from the CPU PCA edge connector J3.
- Loosen screw located in rear fold of bottom cover; slide cover toward rear and remove.
- Remove existing connector assembly from CPU PCA and FAB (E/F-Series), or CPU PCA and ROM PCA (M-Series), if installed. See figure 2-2.
- Pass the ribbon cable assembly (part no. 5061-3419) through the opening in chassis below I/O PCA cage cover.

NOTE

The ribbon cable assembly (part no. 5061-3419) supplied with the FEM must be used for reliable operation. Use of any other ribbon cable assembly may result in intermittent or unpredictable errors.

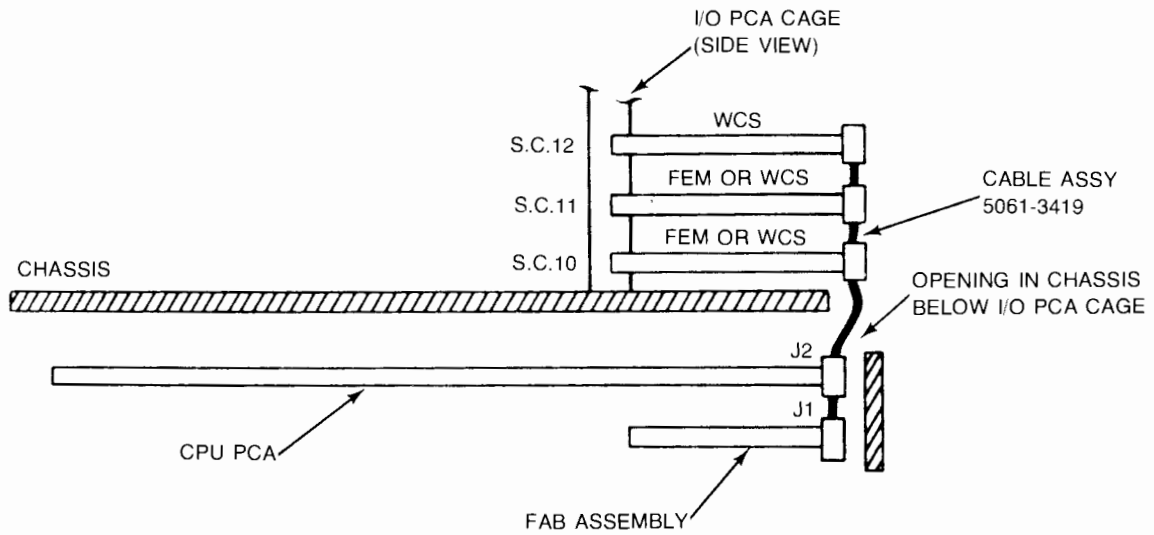
- Connect the ribbon cable assembly (part no. 5061-3419) to FAB and CPU PCA in a E/F-Series computer, (ROM PCA and CPU PCA in a M-Series computer).
- Replace bottom cover. Reconnect I/O extender cable assembly (if present) to CPU edge connector J3.
- Install the FEM in I/O PCA cage slot 10 or 11 depending on whether or not a 13197A Writable Control Store Board (WCS) is present. If no WCS is present, install the FEM in slot 10. If one WCS is present install the FEM in slot 11.

Table 2-1. FEM Address Switch Settings

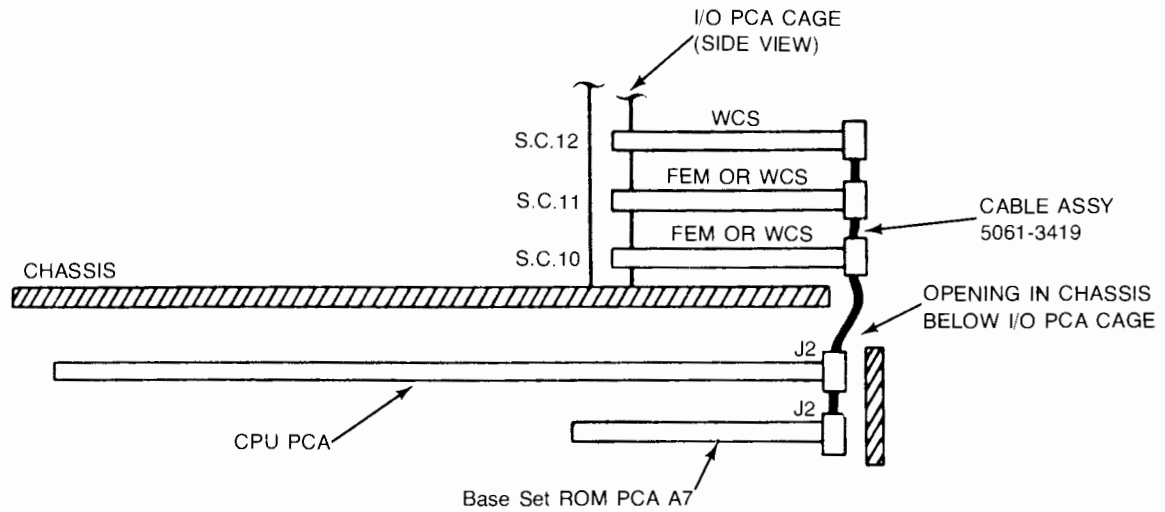
MODULE NO.	ADDRESSES		4K ROMS										8K ROMS									
	DECIMAL	OCTAL	SWITCHES										SWITCHES									
			S1	S2	S3	S4	S5	S6	S7	S8	S9	S10	S1	S2	S3	S4	S5	S6	S7	S8	S9	S10
0	0-00255	00000-00377	1	0	0	1	1	0	0	0	0	0	0	0	0	0	0	0	0	0	0	0
1	00256-00511	00400-00777																				
2	00512-00767	01000-01377	1	0	0	1	1	0	0	0	0	0	0	1	1	0	1	0	0	0	0	X
3	00768-01023	01400-01777																				
4	01024-01279	02000-02377	1	0	0	1	1	0	0	0	0	1	0	1	1	0	1	0	0	0	1	X
5	01280-01535	02400-02777																				
6	01536-01761	03000-03377	1	0	0	1	1	0	0	0	0	1	1	1	0	1	0	0	0	1	1	X
7	01762-02047	03400-03777																				
8	02048-02303	04000-04377	1	0	0	1	1	0	0	1	0	0	1	0	1	0	0	0	0	0	0	0
9	02304-02559	04400-04777																				
10	02560-02815	05000-05377	1	0	0	1	1	0	0	1	0	1	0	1	1	0	1	0	0	1	0	X
11	02816-03071	05400-05777																				
12	03072-03327	06000-06377	1	0	0	1	1	0	0	1	1	0	1	1	0	1	0	0	0	1	1	X
13	03328-03583	06400-06777																				
14	03584-03849	07000-07377	1	0	0	1	1	0	0	1	1	1	1	1	0	1	0	0	1	1	1	X
15	03850-04095	07400-07777																				
16	04096-04351	10000-10377	1	0	0	1	1	0	1	0	0	0	0	0	1	0	1	0	0	0	0	0
17	04352-04607	10400-10777																				
18	04608-04863	11000-11377	1	0	0	1	1	0	1	0	0	0	1	1	0	1	0	0	0	0	0	X
19	04864-05119	11400-11777																				
20	05120-05375	12000-12377	1	0	0	1	1	0	1	0	1	0	1	0	1	0	1	0	0	1	0	0
21	05376-05631	12400-12777																				
22	05632-05887	13000-13377	1	0	0	1	1	0	1	0	1	0	1	1	1	0	1	0	1	0	1	X
23	05888-06143	13400-13777																				
24	06144-06399	14000-14377	1	0	0	1	1	0	1	1	0	0	0	0	1	0	1	1	0	0	0	0
25	06400-06655	14400-14777																				
26	06656-06911	15000-15377	1	0	0	1	1	0	1	1	0	1	0	1	1	0	1	1	0	0	0	X
27	06912-07167	15400-15777																				
28	07168-07423	16000-16377	1	0	0	1	1	0	1	1	1	1	1	0	1	0	1	1	1	1	1	X
29	07424-07679	16400-16777																				
30	07680-07935	17000-17377	1	0	0	1	1	0	1	1	1	1	1	1	0	1	0	1	1	1	1	X
31	07936-08191	17400-17777																				
32	08192-08447	20000-20377	1	0	0	1	1	1	0	0	0	0	0	0	1	0	1	0	0	0	0	0
33	08448-08703	20400-20777																				
34	08704-08959	21000-21377	1	0	0	1	1	1	0	0	0	0	1	1	0	1	1	0	0	0	0	X
35	08960-09215	21400-21777																				
36	09216-09571	22000-22377	1	0	0	1	1	1	0	0	1	0	0	1	0	1	0	0	0	0	0	0
37	09572-09727	22400-22777																				
38	09728-09983	23000-23377	1	0	0	1	1	1	0	0	1	1	1	1	0	1	1	0	0	1	1	X
39	09984-10239	23400-23777																				
40	10240-10495	24000-24377	1	0	0	1	1	1	0	1	0	0	0	0	1	0	1	0	0	0	0	0
41	10496-10751	24400-24777																				
42	10752-10917	25000-25377	1	0	0	1	1	1	0	1	0	1	0	1	1	0	1	0	1	0	0	X
43	10918-11263	25400-25777																				
44	11264-11519	26000-26377	1	0	0	1	1	1	0	1	1	1	0	0	1	0	1	0	0	0	0	0
45	11520-11775	26400-26777																				
46	11776-12031	27000-27377	1	0	0	1	1	1	0	1	1	1	1	1	0	1	1	0	1	1	1	X
47	12032-12287	27400-27777																				
48	12288-12543	30000-30377	1	0	0	1	1	1	1	0	0	0	0	0	1	0	1	0	0	0	0	0
49	12544-12799	30400-30777																				
50	12800-13055	31000-31377	1	0	0	1	1	1	1	0	0	0	1	1	0	1	1	1	0	0	0	X
51	13056-13311	31400-31777																				
52	13312-13557	32000-32377	1	0	0	1	1	1	1	0	1	0	0	1	0	1	1	1	0	1	0	0
53	13558-13823	32400-32777																				
54	13824-14079	33000-33377	1	0	0	1	1	1	1	0	1	1	1	1	0	1	1	0	1	1	1	X
55	14080-14335	33400-33777																				
56	14336-14591	34000-34377	1	0	0	1	1	1	1	1	0	0	0	1	0	1	1	1	0	0	0	0
57	14592-14847	34400-34777																				
58	14848-15103	35000-35377	1	0	0	1	1	1	1	1	1	0	1	1	0	1	1	1	1	0	0	X
59	15104-15359	35400-35777																				
60	15360-15615	36000-36377	1	0	0	1	1	1	1	1	1	1	0	1	0	1	1	1	1	1	1	0
61	15616-15871	36400-36777																				
62	15872-16127	37000-37377	1	0	0	1	1	1	1	1	1	1	1	1	0	1	1	1	1	1	1	X
63	16128-16383	37400-37777																				

1. 0 = CLOSED 1 = OPEN X = DON'T CARE
 "CLOSED" AND "OPEN" REFER TO THE SETTINGS ON THE DIP ROCKER SWITCHES.
 WHEN THE SWITCH IS DEPRESSED THE CORRESPONDING SETTING IS ENABLED.

2. ALL UNUSED SETS MUST BE DISABLED BY SETTING S1 CLOSED.



a. Installation Details (HP 1000 E/F-Series Computer)



NOTES:

- FEM → 12791A FIRMWARE EXPANSION MODULE
- FAB → 13304A FIRMWARE ACCESSORY BOARD
- WCS → 13197A WRITABLE CONTROL STORE

b. Installation Details (HP 1000 M-Series Computer)

Figure 2-2. Installation Details

- p. Connect the cable assembly to FEM board connector J1 and to WCS PCA(s) if present. Any unused connectors should be left on if they do not interfere with the I/O PCA cage cover or I/O cable hoods directly above the FEM. If it is necessary, unused connectors can be carefully removed with a sharp knife or scissors. After removal, inspect the ribbon cable to verify that there are no shorts between any ribbon cable conductors.
- q. Replace I/O PCA cage cover and reconnect battery cable (if present) to BAT. INPUT connector.
- r. Plug processor power cord into power mains receptacle and set AC LINE to ON, and BATTERY switch to INT., if the power fail option is installed. If the battery is discharged upon turning on the AC LINE, it will take a few minutes for the battery to charge up to a minimum level before the processor will begin operation.

The installation is now complete and ready for use of HP optional firmware, or the user's own microprogramming application.

REMOVAL PROCEDURE

- a. Set AC LINE and BATTERY switches to OFF and disconnect the power cord.
- b. Disconnect battery cable (if present) from BAT. INPUT connector and remove I/O PCA cage cover.
- c. Remove ribbon cable connector from FEM board connector J1, and remove FEM from I/O slot.

The removal is now complete, and additional HP optional or user written firmware can be installed as described in the installation procedure.

VERIFICATION

If HP supplied optional firmware is installed on the FEM, correct operation can be verified by running the appropriate self test and/or diagnostic on the installed firmware.

2-4. SERVICE INFORMATION

A system failure can be isolated to the FEM-ROM combination by running the appropriate self test and/or diagnostic corresponding to the firmware that is installed on the FEM.

The red LED indicator on the FEM is lit whenever a set of ROMs on the board is being addressed (i.e. the address sent to the board corresponds to the switch settings on one of the enabled sets).

If the base set is installed on the FEM, the LED will appear to be continuously lit when the computer is in the halt mode.

- a. If Scientific Instruction Set (SIS), Extended Memory Area (EMA), Vector Instruction Set (VIS), or Distributed System Firmware (DS/1000) is installed on the FEM, run the associated self test and/or diagnostic. Self tests are described in the appropriate section of this manual. For diagnostic operation, the appropriate diagnostic manual must be consulted.
- b. If a particular test fails, verify that the address switches on the FEM are configured correctly. All unused sets of sockets must be disabled by setting switch 1 to the closed position. Ensure that the ribbon cable and FEM are correctly seated.
- c. Verify that the +5V CPU voltage is set at the recommended setting of 5.15 volts when measured at the crossover PCA test point. Refer to the appropriate installation and service manual for the power supply voltage adjustment.
- d. If the test still fails, insert a known good set of ROMs in the failing locations and re-run the diagnostic and/or self test.
- e. If the test now passes, defective ROMs are indicated. Change one ROM at a time to isolate the defective ROM(s).

If the test still fails, defective FEM or ribbon cable assembly is indicated. Install a new FEM and run the tests.

If after installing a new FEM, the test still fails, install a new ribbon cable assembly and run the tests again.

- f. If a failure still exists, contact your nearest Hewlett-Packard Sales and Service Office. A list of HP Sales and Service Offices is provided in the appropriate HP 1000 Series Computer Installation and Service Manual.

HP 13197A WRITABLE CONTROL STORE

SECTION

III

3-1. INTRODUCTION

This section describes the HP 13197A Writable Control Store (WCS) Kit used with the HP 1000 M-Series (2105/2108/2112), E-Series (2109/2113), and F-Series (2111/2117) computers. This section covers general information, installation, programming, and general theory of operation. It is written for the individual who already has experience as an Assembly language programmer. Additional information is provided in the following manuals.

- a. Manuals listed in the Preface of this manual.
- b. *RTE Driver DVR36 for HP 12978/13197A Writable Control Store Board Programming and Reference Manual*, part no. 13197-90001.

The HP 13197A Writable Control Store Kit is fully compatible with the HP 1000 M/E/F-Series computers. The Writable Control Store (WCS) holds 1024 words (four control memory modules) and is commonly called a 1K WCS. Computer commands specify which four control memory modules are contained on each HP 13197A WCS printed circuit assembly (PCA).

NOTE

Where installation or operational data for the kit is affected by differences in the HP 1000 M-Series and E/F-Series computers, these differences are noted in text. Also, terminology may differ somewhat between the M-Series and E/F-Series computers. The E/F-Series terminology will be used, but the M-Series user should note the following:

<u>E/F-Series</u>	<u>M-Series</u>
Control Memory	Control Store
Control Memory Address Register (CMAR)	ROM Address Register (RAR)
Microinstruction Register (MIR)	ROM Instruction Register (RIR)

KIT CONTENTS

The HP 13197A WCS Kit consists of the following:

- a. Writable Control Store PCA, part no. 13197-60001.
- b. Ribbon Cable Assembly, part no. 5061-3419.
- c. *HP 1000 M/E/F-Series Firmware Installation and Reference Manual*, part no. 12791-90001.

The printed circuit assembly and ribbon cable assembly contained in the kit are shown in figure 3-1.

SPECIFICATIONS

Table 3-1 lists the characteristics and specifications of the HP 13197A Writable Control Store PCA.

3-2. INSTALLATION/REMOVAL

POWER CONSIDERATIONS

The +5V power required by the WCS is obtained from the computer I/O backplane. Each WCS PCA installed requires 2.2 amperes of current. Calculate the total current required by the WCS PCA and all other printed-circuit assemblies resident in the I/O PCA cage. If the total current requirement is greater than the +5V supply capability, then one or more interface PCA's must be removed and installed in a compatible I/O extender.

NOTE

The I/O current availability is given in the appropriate *HP 1000 Series Computer Operating and Reference Manual*.

INSTALLATION PROCEDURE

The Base Set ROM PCA occupies position A7 in the HP 1000 M-Series computer as standard equipment. In the HP 1000 E/F-Series computer, position A7 is occupied by the Firmware Accessory Board (FAB). For installation of WCS in the E/F-Series, see figure 2-2a. For installation in the M-Series, see figure 2-2b.

Install the Writable Control Store kit as follows:

- a. Ensure that the computer operates properly prior to installing the writable control store kit.
- b. If WCS is to be installed in an M-Series computer, remove computer compatibility jumper W1 (see figure 3-2). If WCS is to be installed in an E/F-Series computer, jumper W1 remains installed.

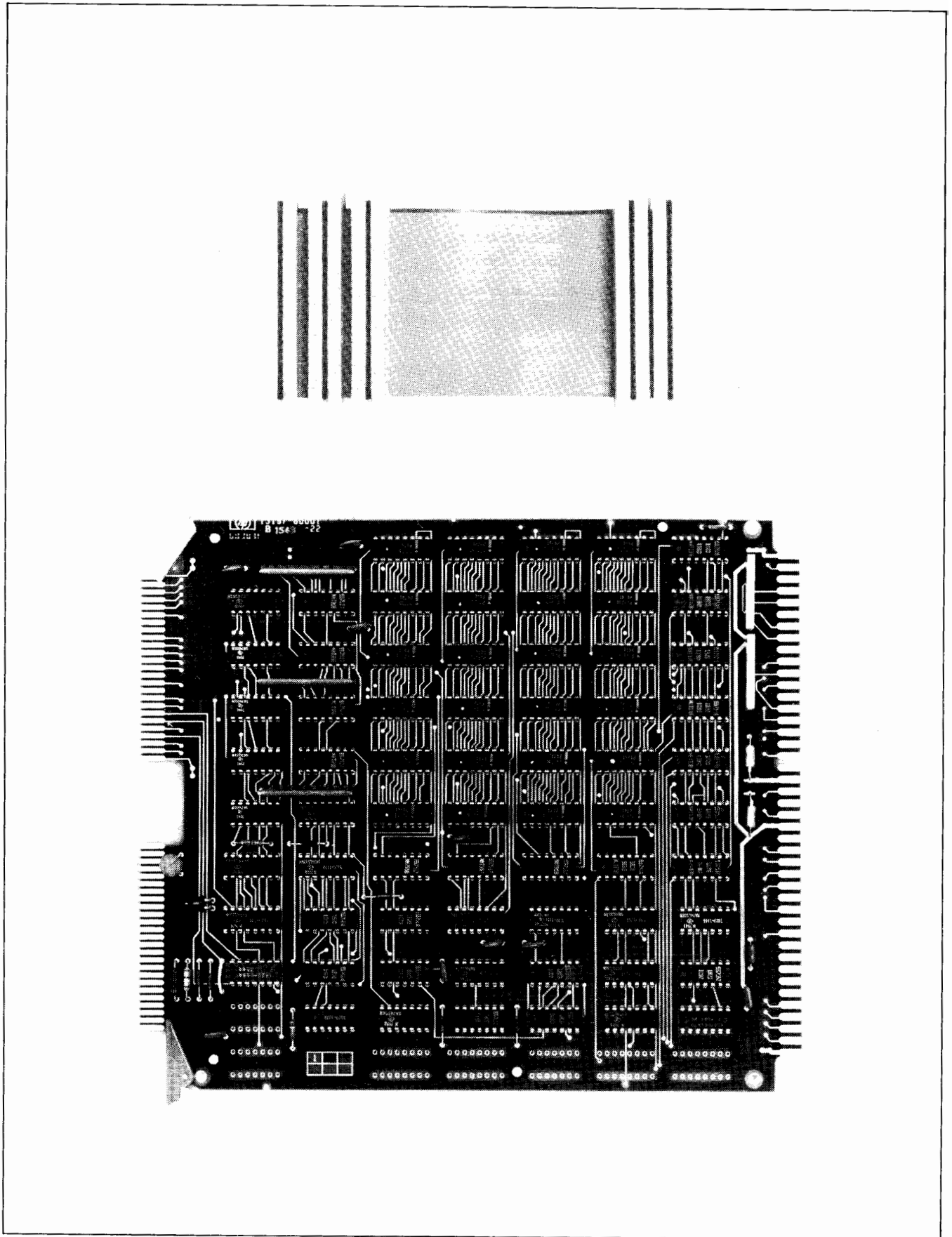


Figure 3-1. HP 13197A Writable Control Store Kit

WARNING

Hazardous voltages are present inside the processor mainframe! Before installing the writable control store board, set the ~LINE and BATTERY switches to off and DISCONNECT THE POWER CORD!!

- c. Set ~LINE and BATTERY switches to OFF and disconnect the power cord.
- d. Disconnect I/O extender cable assembly (if present) from CPU PCA edge connector J3.
- e. Loosen screw located in rear fold of bottom cover; slide cover toward rear and remove.
- f. Remove existing connector assembly from CPU PCA and FAB in an E/F-Series, (CPU PCA and ROM PCA in a M-Series Computer), if installed (See figure 2-2).
- g. Disconnect battery cable (if present) from BAT. INPUT connector and remove I/O PCA cage cover.
- h. Pass the flat cable assembly (part no. 5061-3419) through opening in chassis below I/O PCA cage.
- i. Connect cable assembly to FAB and CPU PCA in a E/F-Series computer, (ROM PCA and CPU PCA in a M-Series Computer).
- j. Replace processor bottom cover. Reconnect I/O extender cable assembly (if present) to CPU PCA edge connector J3.

- k. Place the first writable control store PCA in slot number 10 (select code 10) of the I/O section of the computer. Any additional writable control store PCA's should be placed first in slot 11 then in slot 12.
- l. Install the connectors of the flat cable assembly to WCS board connector J1 as shown in figure 2-2.

NOTE

If an I/O PCA that requires a cable (hood) connector on the back is installed immediately above the WCS, double the flat cable assembly back or cut it to make room for the I/O cable connector. The cable may be carefully cut with scissors or a sharp knife. If cut, inspect the cable conductors for possible shorts.

- m. Replace I/O PCA cage cover and reconnect battery cable (if present) to BAT.INPUT connector.
- n. Plug processor power cord into power mains receptacle and set ~LINE to ON, and BATTERY switch in INT. if the power fail option is installed.

REMOVAL PROCEDURE

- a. Set ~LINE and BATTERY switches to OFF and disconnect the power cord.
- b. Remove the connectors of the flat cable assembly from WCS board edge connector J1 and any other Control Memory boards installed in the I/O card cage.

Table 3-1. HP 13197A Writable Control Store PCA Specifications

<p>CAPACITY</p> <p>Words Available: 1024 per WCS PCA Maximum WCS PCS's: two per HP 2105; three per 2108/2109/2111/2112/2113/2117 Word Size: 24 bits</p> <p>MEMORY SPEED</p> <p>Access: 132 nsec maximum Full Microinstruction Cycle: M-Series: 325 nsec. E/F-Series: 175 or 280 nsec.</p> <p>INSTALLATION</p> <p>Each WCS PCA requires the use of one Input/Output slot (slot 10, 11, or 12).</p> <p>DATA STORAGE OR READBACK</p> <p>Input/Output Group instructions or a Dual Channel Port Controller are used to load into or read from the WCS.</p>	<p>WCS CURRENT REQUIREMENTS</p> <p>+5 volt supply: 2.2A rms -2 volt supply: 7 mA rms</p> <p>DIMENSIONS</p> <p>Width: 7-3/4 inches (196.8 mm) Height: 8-11/16 inches (220.7 mm)</p> <p>WEIGHT</p> <p>Net Weight: 18 oz (511.2 gm) (card and cable only) Shipping Weight: 4 lb (2.27 kg)</p> <p>INPUT LEVELS</p> <p>"1" state: 1.9 volts minimum "0" state: 1.1 volts maximum</p> <p>OUTPUT LEVELS</p> <p>"1" state: 2.4 volts minimum "0" state: 0.8 volt maximum</p>
---	--

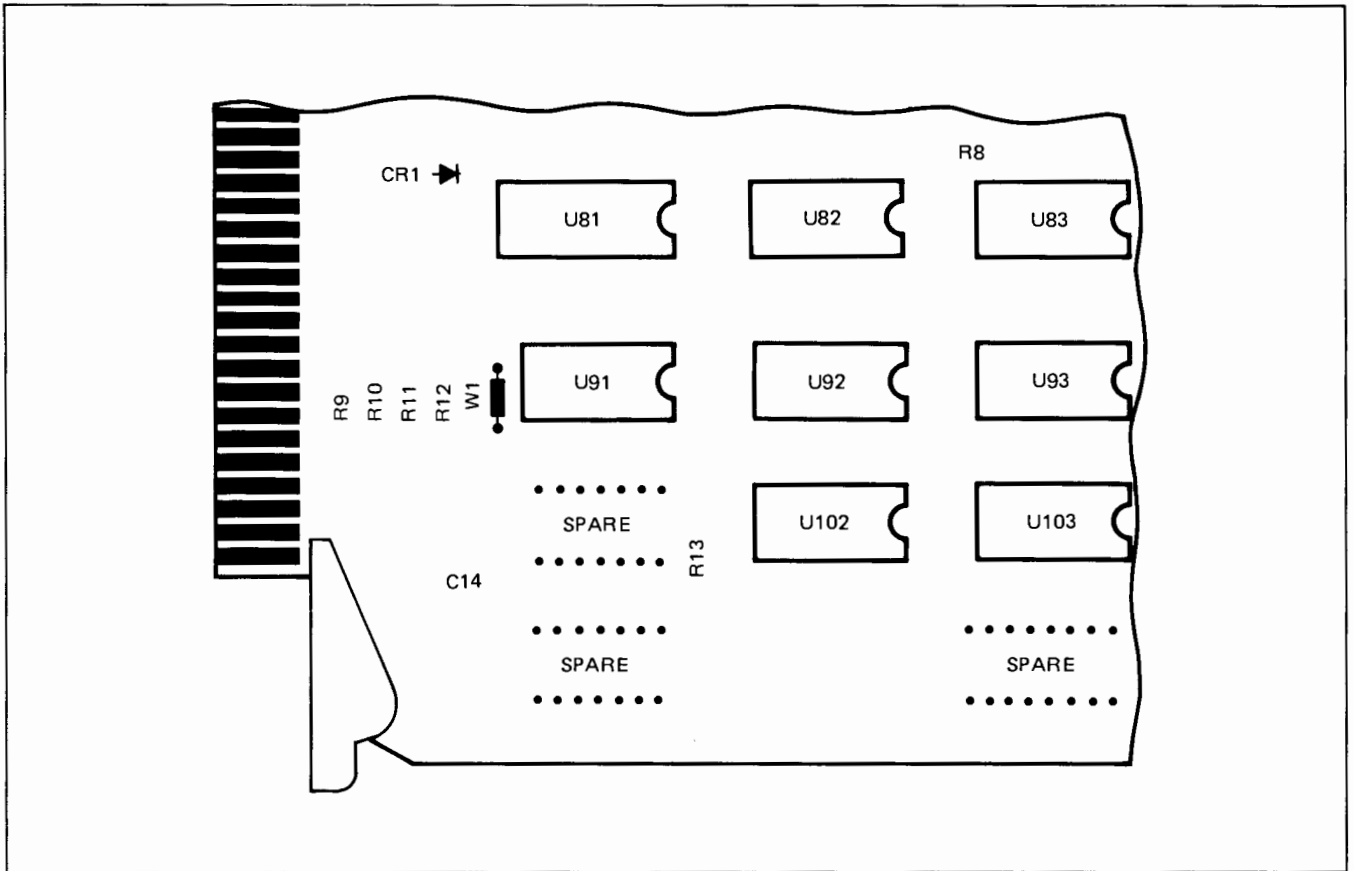


Figure 3-2. Computer Compatibility Jumper W1 Location

- c. Remove the WCS board from the I/O card cage.

VERIFICATION. Perform the diagnostic test as outlined in the *WCS Diagnostic Reference Manual*, part no. 13197-90002. If the diagnostic program is completed without error, the PCA is installed and operating properly. If the diagnostic program indicates errors, halt the computer, turn off power, and recheck all of the above installation procedures. Correct where necessary, then recheck and repeat the diagnostic test.

3-3. PROGRAMMING

Standard I/O instructions control the HP 13197A WCS operation. The WCS operates in the following states:

1. Control memory operation enabled.
2. Control memory operation disabled.
3. WCS commands accepted (command state).
4. WCS data (i.e., microinstructions) can be read or written (data state).

The first two states (1 and 2) are called minor states. The second two states (3 and 4) are called major states. One

minor state and one major state operate concurrently whenever power is applied to the WCS. Upon initial application of power, control memory operation is disabled (state 2), and WCS commands are accepted (state 3).

Data can be transferred via the Dual Channel Port Controller (DCPC) while in the data state.

ENABLING CONTROL MEMORY OPERATION

To allow microinstructions stored in the WCS to execute, control memory operation must be enabled. Control memory operation is enabled by the execution of a Set Flag instruction to the WCS select code (SC):

STF SC

When this instruction is executed, the WCS is enabled sometime during T5 of the I/O cycle.

DISABLING CONTROL MEMORY OPERATION

To prevent microinstructions stored in the WCS from executing, control memory operation must be disabled.

This is accomplished by execution of a Clear Flag instruction to the WCS select code (SC):

CLF SC

WCS does not become disabled until sometime during T5 of the I/O cycle.

The operation of the WCS is temporarily disabled when any I/O instruction is executed in the WCS select code. Thus, if the microprocessor is executing microcode contained in the WCS, no I/O instructions (except CLF, as above) may be executed to or from the WCS. This means that no microinstructions stored in a WCS can execute I/O instructions to itself.

NOTE

Since WCS does not return the FLG signal to the I/O backplane, the enable/disable status of the board cannot be determined by executing an SFS instruction.

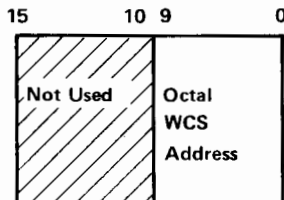
SENDING COMMANDS

When the WCS is in the command state, two commands are accepted, each of which is in the form of a 16-bit word. The first word is interpreted as a WCS address specification. The second word is interpreted as a specification for the four control memory module numbers. WCS interprets words received in the command state as alternately address or module numbers until the data state is initiated. Thus, the third word is interpreted as a WCS address, the fourth as module numbers, etc.

The command state is initiated by execution of a Clear Control Instruction to the WCS select code (SC):

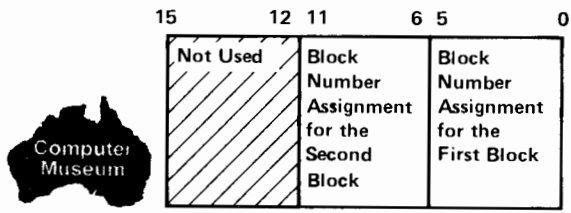
CLC SC

The WCS address word commands the WCS to set the WCS Address Register to the specified address. The WCS Address Register value determines which WCS location is read from or written into when the WCS is in the data state. The format of the WCS address word is the following:



This address is octal and is relative to the first location in the WCS. The first location is at address 0 (zero). The last location is at address 1777.

The four control memory module numbers are assigned by blocks. The 1024 words contained in the WCS are divided into two blocks of 512 words each. Each block is in turn divided into two 256-word modules. WCS addresses 0-511 (0-777 octal) are contained in the first block; addresses 512-1023 (1000-1777 octal) are contained in the second block. The modules assignment word specifies which two control memory modules are stored in each block. The module assignment word has the following format:



Bits 5-0 determine the control memory module numbers assigned to the two modules in the first block. Bits 11-6 determine the module numbers assigned to the two modules in the second block. The number of the first module is given by multiplying the block number by 2. Thus, the module number of a block is always even. For example, if bits 5-0 specify 5 for the block number assignment, the first block serves as control memory for modules 10 and 11.

The two blocks may be assigned block numbers that are not adjoining. For example, the first block can be assigned as block 5 (control memory modules 10 and 11) and the second block can be assigned as block 2 (control memory modules 4 and 5).

Control memory modules available to the user for HP 1000 M/E/F-Series computers are shown in tables 11-1, 11-2 and 11-3, respectively.

READING AND WRITING WCS DATA

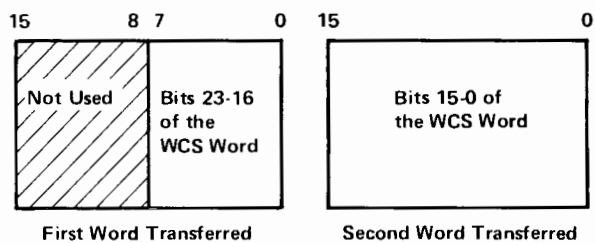
When the WCS is in the data state, data (microinstructions) can be read from and written into the WCS Random Access Memory (RAM) by standard I/O instructions. The address of the location transferred is contained in the WCS Address Register. The WCS Address Register is automatically incremented by one after each pair of input or output instructions.

The data state is initiated by execution of a Set Control instruction to the WCS select code (SC):

STC SC

Two 16-bit words are required to transfer each 24-bit WCS word. Bits 7-0 of the first word transferred hold bits 23-16

of the WCS word. Bits 15-8 of the first word are not used. The second word holds bits 15-0 of the WCS word. The format of the word pair is the following:



Thus, the WCS data requires a main memory buffer of up to 512 words per control memory module (2048 words to transfer the entire WCS contents).

PROGRAMMING EXAMPLES

The following Assembly language programs illustrate how to use the WCS facility.

LOADING WCS FROM MEMORY. The following program disables control memory operation and then loads the WCS with microinstructions stored in main memory.

Note: "SC" indicates the WCS select code.

- CLC SC Puts the WCS in the command state (readies the WCS to accept command).
- LDA ADDR Places the address of the first WCS location to be loaded in the A-register.
- OTA SC Sends the beginning WCS address to the WCS.
- STC SC Puts the WCS in the data state (readies WCS to accept data).
- LOOP1 DLD BUFFP,I Places first word pair to be sent to WCS in the A- and B-registers.
- ISZ BUFFP Increments main memory buffer pointer to next word pair.
- ISZ BUFFP
- OTA SC Outputs first word to WCS.
- OTB SC Outputs second word to WCS.

- ISZ COUNT Increments negative WCS word count; if 0, skip because load is complete.
- JMP LOOP1 Repeats loop to load two more words.

READING WCS INTO MEMORY. The following program reads microinstructions stored in WCS and stores them in main memory.

- CLC SC Puts WCS in command state.
- LDA ADDR Places address of first WCS location to be read in the A-register.
- OTA SC Sends the beginning address to the WCS.
- STC SC Puts the WCS in the data state.
- LOOP2 LIA SC Reads bits 23-16 of WCS location into bits 7-0 of the A-register.
- LIB SC Reads bits 15-0 of WCS location into bits 15-0 of the B-register.
- DST BUFFP,I Stores two words (holding contents of single WCS location) into main memory buffer.
- ISZ BUFFP Increments main memory buffer pointer to next word pair.
- ISZ BUFFP
- ISZ COUNT Increments negative WCS word count; if 0, skip because read is complete.
- JMP LOOP2 Repeats loop to read the next WCS location.

SETTING BLOCK NUMBERS AND CONTROL MEMORY OPERATION. The following program assigns block numbers and, hence, control memory module numbers to the WCS. Then the program enables the WCS for operation as control memory.

- CLC SC Puts WCS in the command state.
- LDA BLKN Places block numbers in the A-register.

OTB SC	Outputs to the WCS a relative address; the block numbers must be output in the second word.
OTA SC	Sends the block numbers from the A-register to the WCS.
STF SC	Initiates control memory operation of WCS at T5 of this I/O instruction; address 0-511 become modules 10 and 11 and addresses 512-1023 become modules 4 and 5.
⋮	
BLKN OCT 00205	This constant specifies that the first block is block number 5 and the second block is block number 2.

CLC 2	Prepares DCPC channel 1 to receive the second DCPC control word.
LDA CW2	Gets the second DCPC control word from main memory and loads it into the A-register.
OTA 2	Sends the second DCPC control word to DCPC channel 1.
STC 2	Prepares the DCPC channel to receive the third DCPC word.
LDA CW3	Gets the third DCPC control word.
OTA 2	Sends the third DCPC control word to DCPC channel 1.
STC 6,C	Turns on the selected DCPC channel.
STC 10	Starts the DCPC transfer.
SFS 6	Tests for completion of the transfer.
JMP *-1	Loops until transfer complete.
⋮	

READING WCS INTO MEMORY USING DCPC. To read the WCS using the Dual Channel Port Controller (DCPC), replace LOOP2 in the Reading WCS into Memory Section with the DCPC initialization sequence. Issue the Set Control (STC) to the WCS select code *after* starting DCPC. DCPC will use every I/O cycle until the entire block of data is read from the WCS into main memory.

The STC and CLC options of DCPC (contained in Control Word 1) should not be utilized for transfers to/from WCS, as each STC or CLC reinitializes the WORD flip-flop.

Note that DCPC issues a CLF after each word transferred, disabling operation of the board as control memory.

The following program is an example of using DCPC channel 1 to read a block of 1000₈ words from the WCS on select code 10 into main memory starting at address 10,000₈.

CLC 10	Puts WCS in the command state.
LDA ADDR	Places address of first location to be read in the A-register.
OTA 10	Sends the beginning address to the WCS.
(LOOP2) LDA CW1	Gets the first DCPC control word from main memory and loads it into the A-register.
OTA 6	Sends the first DCPC control word to DCPC channel 1.

CW1	OCT 10	
CW2	OCT 110000	Specifies DCPC input and the starting address (10,000 ₈) of the block to be output.
CW3	OCT 177000	Specifies two's complement of the number (1000 ₈) of computer words to be transferred.

USING WCS AS MODULE 0

When attempting to use the WCS as module 0, special care must be taken when enabling and disabling the WCS operation because of the use of the IOG signal to select the address presented to the RAM's. When an I/O instruction is being executed referencing the WCS select code, the on-board address counter is selected to supply the RAM address; if not, then the Control Memory Address Register (CMAR) is selected to supply the RAM address. The two instructions STF and CLF, respectively, enable and disable WCS operation and cause the IOG signal to be as-

serted. Thus, when executing a STF with WCS containing module 0 code, the IOG signal disappears at the same time that WCS becomes enabled. When trying to disable operation of WCS as module 0, there is a more troublesome problem. Here, as soon as IOG comes up when executing the CLF instruction to the board, the on-board address counter is selected to specify the RAM address. To avoid problems encountered by executing the microinstruction at the address contained in the on-board counter, the counter should be set to the address of some harmless microinstruction (such as a jump to FETCH) contained in WCS. When WCS is finally disabled, the base-set ROM's will again function, starting from the address specified in the CMAR.

3-4. GENERAL THEORY OF OPERATION

Writable Control Store (WCS) consists of a bipolar semiconductor Random Access Memory (RAM) containing 24 integrated-circuit (IC) packages mounted on a printed-circuit assembly (PCA). Also included is the flat jumper cable assembly necessary for complete mechanization within the computer. The WCS PCA should be installed only in slots 10 (standard), 11, and 12 of the computer I/O slots. Each IC package is configured in 1024 bits and organized as one bit per word. Thus, one module of WCS is capable of storing 1024 words of 24 bits each. For the purpose of execution of WCS instructions, WCS can be configured to be addressed as any four of the computer's control memory modules. Two WCS PCA's can be installed on an HP 2105 Computer. Three WCS PCA's can be installed on an HP 2108, 2109, 2111, 2112, 2113, or 2117 Computer.

WCS MODULE IDENTIFICATION

For proper addressing of WCS, an integrated-circuit comparator and two block number registers are used on the WCS PCA to identify the PCA as particular modules of control memory. For example, if the WCS board is configured for block 2, the PCA will be enabled when the Control Memory Address Register (CMAR) contains the pattern "000010" in its six most-significant bits (14-9), and will be disabled otherwise. When enabled, the word in WCS addressed by CMAR bits 8-0 will be sent to the Microinstruction Register (MIR) as signals ROM0 through ROM23. The computer will then execute this word (microinstruction as though it came from standard control memory).

WCS CONNECTION

WCS is connected to the computer CPU through the I/O structure (for loading and checking), and also through a 50-conductor ribbon cable connector. It is this connector that enables WCS to be used as an extension of the computer's basic control memory. The cable connects one, two or three WCS PCA's to the CPU PCA and the FAB in the HP 1000 E/F-Series. (In an M-Series, WCS connects to CPU and ROM PCA.) The CMAR on the CPU sends a 14-bit address (12-bit address in an M-Series) to the WCS PCA(s) through this cable and the addressed WCS then sends its data (microinstruction) from that address back through this cable to the MIR.

WCS ADDRESSING

The WCS Address Register determines which address is loaded or read while the WCS is in the data state. Thus, before loading or reading the WCS Random Access Memory, the WCS Address Register must be set. This is accomplished by sending the WCS address to the WCS while it is in the command state. Refer to section 3-3 for the explanation of how to set the WCS Address Register.

WCS OPERATION AS CONTROL MEMORY

Once loaded and enabled, WCS becomes an extension of control memory. Microprograms stored in the WCS are executed exactly as those stored in ROM. Since the WCS can be loaded via standard I/O instructions, it may be used to debug and store additions to the computer instruction set while the computer is in an operating condition. This feature permits dynamic expansion of the computer instruction set.

WCS TIMING DIAGRAM

Figure 3-3 illustrates the HP 13197A WCS timing.

NOTE

Pressing the PRESET switch on the operator panel, or executing the CLC 0 instruction, issues the CRS signal to all I/O boards installed in HP 1000 Series computers. The CRS signal disables all WCS boards from operation as control memory.

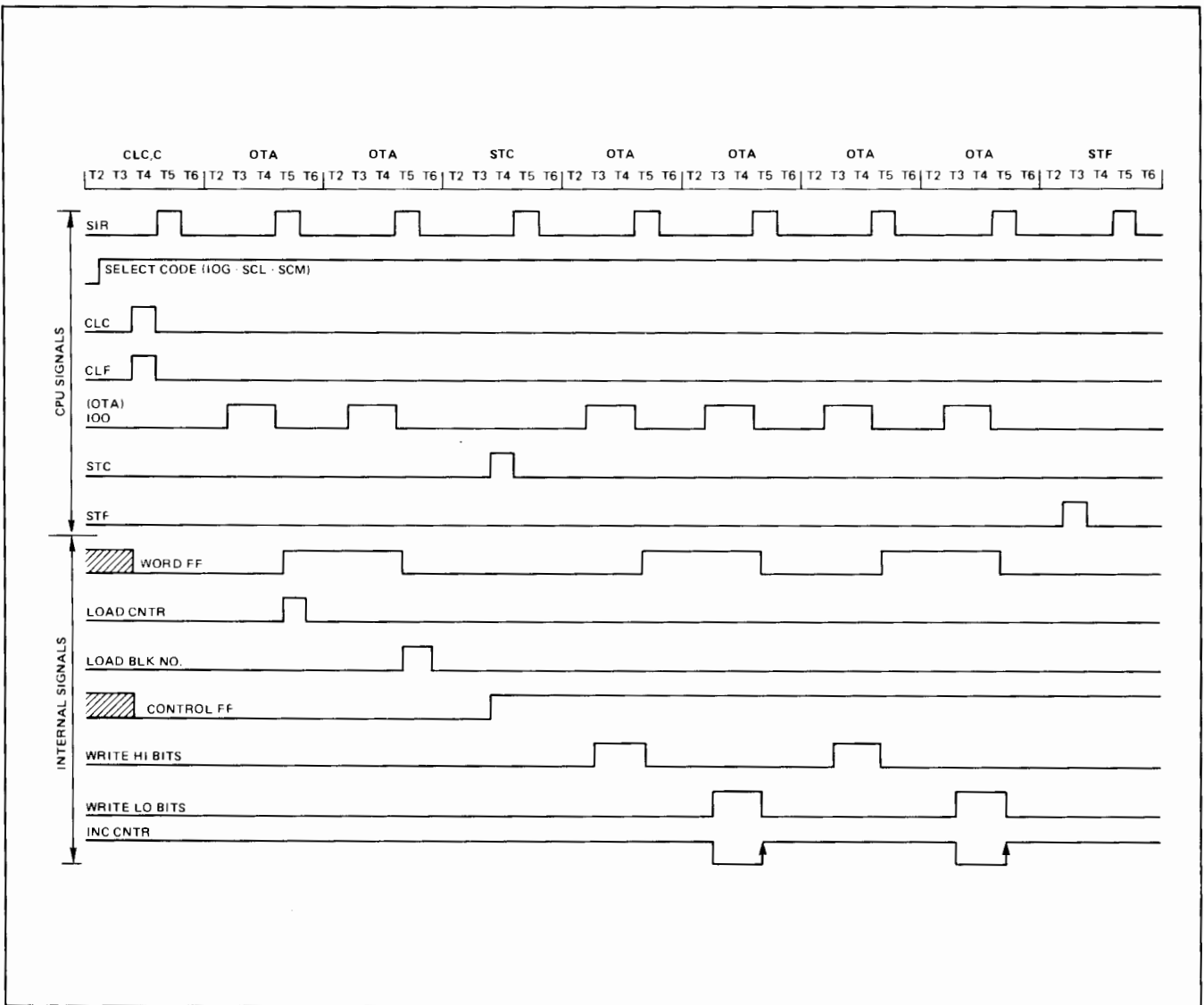


Figure 3-3. HP 13197A WCS Timing Diagram

HP 1000 E/F-SERIES DYNAMIC MAPPING SYSTEM

SECTION

IV

4-1. INTRODUCTION

This section provides installation instructions for the HP Dynamic Mapping System, which is an accessory for the HP 1000 E/F-Series Computers. Additional information is provided in the manuals listed in the Preface.

4-2. DESCRIPTION

The Dynamic Mapping System consists of the following hardware:

DESCRIPTION	HP PART NO.	HP PRODUCT NO.
Memory Expansion Module	12731-60001	12731A
Memory Protect PCA	12892-60003	12892B
4K ROM IC (bits 7-0)	13307-80033	13307B (Standard on E-Series)
4K ROM IC (bits 15-8)	13307-80034	
4K ROM IC (bits 23-16)	13307-80035	
8K ROM IC (bits 7-0)	5180-0141	F-Series (Standard)
8K ROM IC (bits 15-8)	5180-0142	
8K ROM IC (bits 23-16)	5180-0143	

REQUIRED HARDWARE

One of the following accessories is required for the installation of the three ROM ICs in the E/F-Series Computer:

- HP 13304A Firmware Accessory Board Kit for E-Series only
- HP 12791A Firmware Expansion Module for E- or F-Series.

The 12791A Firmware Expansion Module is standard in 2109E, 2113E, 2111F, and 2117F Computers.

4-3. INSTALLATION

Install the memory expansion module (MEM) and memory protect PCA in the computer memory PCA cage as follows:

- On MEM, ensure that jumpers W1 through W4 are configured as shown in figure 4-1. The functions of these jumpers are described in table 4-1.
- On memory protect PCA, ensure that configuration jumper block U21 is configured as shown in figure 4-2.

- On the rear of the computer set the battery EXT/INT OFF switch to OFF.
- Switch the ~LINE ON/OFF switch to OFF, and disconnect the power cord.
- Remove memory PCA retainer and install memory expansion module, part no. 12731-60001, in slot 112.
- Install memory protect PCA, part no. 12892-60003, in slot 111; replace memory PCA retainer.

The three E-Series 4K ROM integrated circuits (ICs) are allocated to control store modules 32 and 33 (decimal) and can be installed on either the HP 13304A Firmware Accessory Board (FAB) or the HP 12791A Firmware Expansion Module (FEM). Install the ROM ICs as described in one of the following two procedures.

The three F-Series 8K ROM ICs are allocated to control store modules 32, 33, 34, and 35. These ROMs contain the DMI instructions and the Fast FORTRAN Processor instructions. These ROMs must be installed on the FEM. Refer to section VII of this manual for the installation of these ROMs.

FIRMWARE ACCESSORY BOARD

- Refer to section I of this manual for the FAB removal procedure.
- Install the following 4K ROM ICs in the specified sockets on the FAB and set the jumpers as shown below to correspond to Control Memory module 32 (decimal).

LOCATION	ROM IC	BITS	MODULE NO.
B1	13307-80033	7-0	} 32, 33
B2	13307-80034	15-8	
B3	13307-80035	23-16	

JUMPER

SETTING

10B	0
11B	0
12B	0
13	1

- Install the FAB following the procedures in section I.
- Perform verification as described in section 4-4.

FIRMWARE EXPANSION MODULE

- a. Refer to section II of this manual for FEM removal procedure.
- b. The three DMI ROMs can be installed in any available socket set on the FEM. For example, assume we are going to install the ROMs in SET A. Refer to figure 2-1 for location of the sockets.

LOCATION	ROM IC	BITS	MODULE NO.
A1	13307-80033	7-0	} 32, 33
A2	13307-80034	15-8	
A3	13307-80035	23-16	

- c. Configure the SET A control memory address switches, SWA, for modules 32 and 33. See figure 2-1 and table 2-1 for reference.

SWITCH	SWA	SETTING
S1		1
S2		0
S3		0
S4		1
S5		1
S6		1
S7		0
S8		0
S9		0
S10		0

- d. Refer to section II of this manual for the FEM installation procedure
- e. Perform verification as described below.

4-4. VERIFICATION

Verify the Dynamic Mapping System operation by running the following diagnostics:

<u>DIAGNOSTIC</u>	<u>MANUAL</u>	<u>ABSOLUTE BINARY NO.</u>
Memory Protect-Parity Error Test	12892-90005	12892-16001
Memory Expansion Module Test	12929-90003	12929-16001

If the diagnostic tests are completed without an error halt, the DMS is operating correctly. If the tests indicate an error halt, refer to the FAB section or FEM for troubleshooting information. If trouble still persists, contact your nearest HP Sales and Service Office. (A list of HP Sales and Service Offices is given in the *HP 1000 E/F-Series Computer Operating and Reference Manual*, and the *HP 1000 E/F-Series Computer Installation and Service Manual*.)

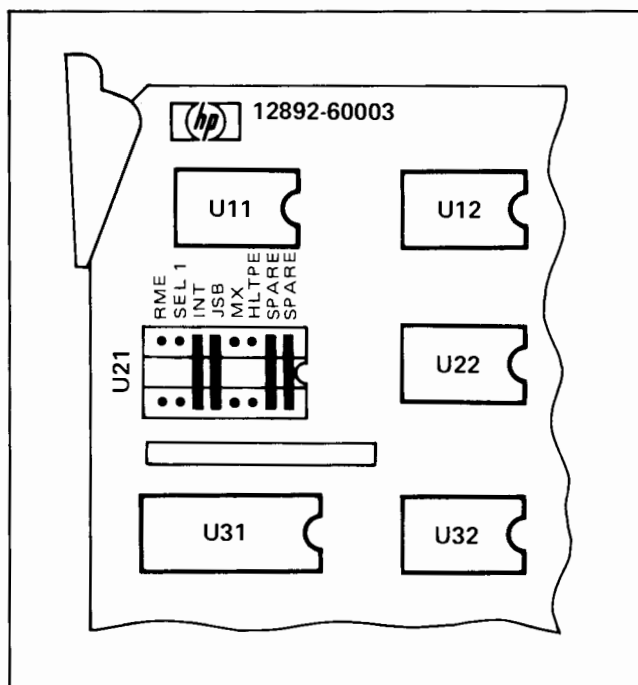


Figure 4-2. Memory Protect Configuration Jumpers

HP RTE IV A/B EXTENDED MEMORY AREA FIRMWARE

SECTION

V

5-1. INTRODUCTION

This section provides installation instructions for the HP Extended Memory Area (EMA) Firmware. This firmware is to be installed in an E-Series Computer or an F-Series Computer for use with RTE IV A/B: Additional information is provided in the manuals listed in the Preface.

5-2. DESCRIPTION

The HP EMA firmware consists of three 4K ROMs that are installed on the FAB board or FEM board. The firmware routines handle map switching (if required) and addressing to data words located in extended memory.

The HP EMA firmware consists of the following:

DESCRIPTION	PART NO.
4K ROM IC (Bits 23-16)	92067-80003
4K ROM IC (Bits 15-8)	92067-80002
4K ROM IC (Bits 7-0)	92067-80001

5-3. INSTALLATION

The three EMA ROMs can be installed on the HP 13304A Firmware Accessory Board (FAB) or the HP 12791A Firmware Expansion Module (FEM). If a FEM with an unused block of sockets is available, it may be desirable to install the ROMs on the FEM to facilitate future access to the ROMs.

FIRMWARE ACCESSORY BOARD

- Refer to section I of this manual for the FAB removal procedure.
- Install the following ROM ICs in the specified sockets on the FAB and set the jumpers to correspond to Control Memory modules 36 and 37.

NOTE

Sockets C1 through C3 are recommended for the EMA firmware location, due to location requirements of other HP firmware accessories, such as the HP 13306B Fast Fortran Processor.

If DS/1000 ROMs, part numbers 91740-80067, 91740-80068, and 91740-80069,

are presently installed on the FAB board, they should be residing in the MSMP of blocks B, C, or D. For this case, the EMA ROMs should be installed in the LSMP of this block. For example, if DS/1000 ROMs are occupying C4, C5, and C6, then the EMA ROMs should be installed in sockets C1, C2, and C3 (refer to the table below and figure 1-2 to associate each EMA ROM with the appropriate socket).

LOCATION	ROM IC	BITS	MODULE NO.
B1 (XU401) C1 (XU201) D1 (XU101)	92067-80001 (EMA ROM)	7-0	} 36, 37
B2 (XU402) C2 (XU202) D2 (XU102)	92067-80002 (EMA ROM)	15-8	
B3 (XU404) C3 (XU202) D3 (XU104)	92067-80003 (EMA ROM)	23-16	
B4 (XU406) C4 (XU206) D4 (XU106)	91740-80067 (DS/1000 ROM)	7-0	} 38, 39
B5 (XU408) C5 (XU208) D5 (XU108)	91740-80068 (DS/1000 ROM)	15-8	
B6 (XU409) C6 (XU209) D6 (XU109)	91740-80069 (DS/1000 ROM)	23-16	

- Set jumpers 10 through 13 as shown in below. Jumper notations A, B, C, and D correspond to blocks A, B, C, and D respectively.

JUMPER	SETTING
10C	1
11C	0
12C	0
13	1

- Refer to section I of this manual for the FAB installation procedure.
- Perform the verification as described in section 5-4.

FIRMWARE EXPANSION MODULE

- a. Refer to section II of this manual for the FEM removal and installation procedure.
- b. Install the three ROM ICs in any available set of sockets and configure the switches as shown in table 2-1 for Control Memory modules 36 and 37. The following are the switch settings for control memory modules 36 and 37.

<u>SWITCH</u>	<u>SETTING</u>
S1	1
S2	0
S3	0
S4	1
S5	1
S6	1
S7	0
S8	0
S9	1
S10	0

- c. Refer to section II for the FEM installation procedure.
- d. Perform verification as described below.

5-4. VERIFICATION

Installation

After installing the EMA ROMs, verify correct installation by running the EMA self-test. The EMA self-test

checks for correct IC orientation and correct EMA firmware addressing.

To execute the EMA self-test proceed as follows:

- a. Store 105242 (octal) in the A-Register.
- b. Store 0 in the P-Register.
- c. Store 0 in the S-Register.
- d. Press PRESET.
- e. Press INSTR STEP.

If the EMA self-test completes with the S-Register equal to 102077 then the firmware is operational. If the test completes with the S-Register NOT EQUAL to 102077, then check for the following conditions:

- a. Incorrect IC orientation on the FAB or FEM.
- b. Incorrect jumper positioning on the FAB board, or switch settings on the FEM.
- c. IC pin(s) are bent under or broken off.

If a failure still exists, refer to the Service Information paragraph of the FAB or FEM section of this manual for troubleshooting procedures.

Operation

To verify functional operation of the EMA firmware, the EMA on-line diagnostic should be run. Refer to the EMA On-Line Diagnostic Reference Manual, part number 92067-90007, for operating instructions. Follow the troubleshooting procedures recommended in the EMA On-Line Diagnostic Reference Manual if a failure exists.

HP 13306B FAST FORTRAN PROCESSOR FIRMWARE

SECTION

VI



6-1. INTRODUCTION

This section provides installation instructions for the HP 1000 Fast FORTRAN Processor firmware, which is an accessory for the HP 1000 E-Series Computer. Additional information is provided in the manuals listed in the Preface.

6-2. DESCRIPTION

The HP 1000 Fast FORTRAN Processor (FFP) firmware consists of six read-only-memory (ROM) integrated-circuits (IC's). Three 4K ROM IC's are allocated to control memory module 32 and 33 (decimal) and three 4K ROM IC's are allocated to control memory modules 34 and 35 (decimal).

E-Series computers with a serial prefix of 21xx or greater contain the ROMs listed below under option 100 as a standard part of the computer.

13306B standard includes:

<u>DESCRIPTION</u>	<u>HP PART NO.</u>
4K ROM IC (Bits 7-0)	5090-0589
4K ROM IC (Bits 15-8)	5090-0590
4K ROM IC (Bits 23-16)	5090-0591

Option 100 adds the following three ROMs:

4K ROM IC (Bits 7-0)	13307-80033
4K ROM IC (Bits 15-8)	13307-80034
4K ROM IC (Bits 23-16)	13307-80035

6-3. INSTALLATION

The HP 13304A Firmware Accessory Board or HP 12791A Firmware Expansion Module is required for the installation of the six FFP ROM IC's.

FIRMWARE ACCESSORY BOARD

- Refer to section I of this manual for removal of the FAB.
- On the FAB, install the six ROM IC's in the following locations (see figure 1-2):

<u>LOCATION</u>	<u>ROM IC</u>	<u>BITS</u>	<u>MODULE NO.</u>
B1 (XU401)	13307-80033	7-0	} 32, 33
B2 (XU402)	13307-80034	15-8	
B3 (XU404)	13307-80035	24-16	
B4 (XU406)	5090-0589	7-0	} 34, 35
B5 (XU408)	5090-0590	15-8	
B6 (XU409)	5090-0591	24-16	

Ensure that the IC's are oriented correctly as shown in figure 1-2 by matching pin 1 of each IC with the white dot on each IC socket.

- Configure the control store module address jumpers for modules 32, 33, 34, and 35 as shown below. Figures 1-1 and 1-2 can be used for reference.

<u>JUMPER</u>	<u>SETTING</u>
10B	0
11B	0
12B	0
13	1

- Refer to section I for the FAB installation procedure.
- Perform verification as described below.

FIRMWARE EXPANSION MODULE

- Refer to section II of this manual for the FEM removal procedure.
- The six FFP ROMs can be installed in any available socket sets on the FEM. For example, assume we are going to install the ROMs in SET A and SET B. Refer to figure 2-1 for location of the sockets.

<u>LOCATION</u>	<u>ROM IC</u>	<u>BITS</u>	<u>MODULE NO.</u>
A1	13307-80033	7-0	} 32, 33
A2	13307-80034	15-8	
A3	13307-80035	23-16	
B1	5090-0589	7-0	} 34, 35
B2	5090-0590	15-8	
B3	5090-0591	23-16	

- Configure the SET A and SET B control memory address switches, SWA and SWB for modules 32, 33 and 34, 35 respectively. See figure 2-1 and table 2-1 for reference.

<u>SWA</u>		<u>SWB</u>	
<u>SWITCH</u>	<u>SETTING</u>	<u>SWITCH</u>	<u>SETTING</u>
S1	1	S1	1
S2	0	S2	0
S3	0	S3	0
S4	1	S4	1
S5	1	S5	1
S6	1	S6	1
S7	0	S7	0
S8	0	S8	0
S9	0	S9	0
S10	0	S10	1

FFP

- d. Refer to section II of this manual for the FEM installation procedure.
- e. Perform the verification as described below.

scribed in the *Diagnostic Reference Manual*. Part numbers for the diagnostic test are as follows:

<u>DIAGNOSTIC</u>	<u>MANUAL</u>	<u>ABSOLUTE BINARY PROGRAM NO.</u>
Fast FORTRAN Processor	12977-90002	12997-16004 12977-16005

6-4.

After installing the FFP, verify proper operation by performing the Fast FORTRAN Processor diagnostic test de-

If the diagnostic test is completed without an error halt, the FFP is operating correctly. If the diagnostic test indicates an error halt, refer to the FAB or FEM section of this manual for troubleshooting information.

HP 1000 F-SERIES DYNAMIC MAPPING INSTRUCTIONS AND FAST FORTRAN PROCESSOR FIRMWARE

SECTION

VII

7-1. INTRODUCTION

This section provides installation and reference information for the F-Series Dynamic Mapping Instructions and Fast FORTRAN Processor. Additional information is provided in the manuals listed in the Preface.

7-2. DESCRIPTION

The F-Series DMI/FFP consists of three 8K read-only-memory (ROM) integrated-circuits (IC's). The DMI instructions are contained within these three ROMs.

<u>DESCRIPTION</u>	<u>HP PART NO.</u>
8K ROM IC (Bits 7-0)	5180-0141
8K ROM IC (Bits 15-8)	5180-0142
8K ROM IC (Bits 23-16)	5180-0143

7-3. INSTALLATION

The F-Series DMI/FFP ROMs are standard on the F-Series Computer. They are installed on the HP 12791A Firmware Expansion Module (FEM). To install or remove the DMI/FFP ROMs, proceed as follows.

- Refer to section II of this manual for the FEM removal procedure.
- The three ROM IC's can be installed in any vacant socket set. For example, assume we will use SETA.

<u>LOCATION</u>	<u>ROM IC</u>	<u>BITS</u>	<u>MODULE NO.</u>
A1	5180-0141	7-0	32, 33, 34, 35
A2	5180-0142	15-8	
A3	5180-0143	23-16	

- Configure control memory address switches SWA for modules 32, 33, 34, and 35 as shown below. Figures 2-1 and 2-2 can be used for reference.

<u>SWITCH</u>	<u>SETTING</u>
S1	1
S2	0
S3	1
S4	0
S5	1
S6	1
S7	0
S8	0
S9	0
S10	X (Don't care)

- Refer to section II for the FEM installation procedure.
- Perform verification as described below.

7-4. VERIFICATION

INSTALLATION

After installing the DMI/FFP ROMs, verify proper installation by running the firmware self-test. The firmware self-test checks for correct IC orientation and if the DMI/FFP firmware is correctly addressed.

To execute the FFP self-test proceed as follows:

- Store 105200 (octal) in the A-register.
- Store 0 in the P-register.
- Press PRESET.
- Press INSTR STEP.

One of three results should be displayed in the S-register:

- S = 102077 indicates successful completion.

- b. S = 102001 indicates module 33 defective or missing.
- c. S = 102002 indicates module 35 defective or missing.

Any other indication in the S-register indicates that DMI/FFP is defective or not installed properly. If other than a 102077B is displayed on the S-register, check for the following conditions.

- a. Incorrect IC orientation on the FEM.
- b. Incorrect switch settings on the FEM.
- c. IC pin(s) are bent under or broken off.

If a failure still exists, refer to the Service Information paragraph of the FEM section of this manual (section I) for troubleshooting procedure.

OPERATION

To verify functional operation of the DMI/FFP firmware, the FFP/Floating Point Processor/Scientific Instruction Set and the Memory Expansion Module off-line diagnostics should be run. Refer to the appropriate Diagnostic Reference Manual for execution procedure.

<u>DIAGNOSTIC</u>	<u>MANUAL</u>	<u>ABSOLUTE BINARY NO.</u>
Floating Point Processor/ Scientific Instruction Set/ Fast FORTRAN Processor	12740-90004	12740-16001
Memory Expansion Module Test	12929-90003	12929-16001

If the diagnostic test is complete without an error halt, the DMI/FFP is operating correctly. If the diagnostic test indicates an error halt, refer to the FEM section of this manual for troubleshooting information.

HP 1000 F-SERIES SCIENTIFIC INSTRUCTION SET FIRMWARE

SECTION

VIII

8-1. INTRODUCTION

This section provides installation and reference information for the F-Series Scientific Instruction Set (SIS) firmware. Additional information is provided in the manuals listed in the Preface.

8-2. DESCRIPTION

The Scientific Instruction Set (SIS) firmware consists of six read-only-memory (ROM) integrated-circuits (IC's). The three ROMs are allocated to control memory modules 40, 41, 42, and 43 as follows:

<u>DESCRIPTION</u>	<u>HP PART NO.</u>
8K ROM IC (Bits 7-0)	12823-80019
8K ROM IC (Bits 15-8)	12823-80020
8K ROM IC (Bits 23-16)	12823-80021

8-3. INSTALLATION

The F-Series SIS ROMs are standard on the F-Series Computer. They are installed on the HP 12791A Firmware Expansion Module. To install or remove the SIS ROMs, proceed as follows.

- Refer to section II of this manual for the FEM removal procedure.
- The three SIS ROMs can be installed in any vacant socket set. For example, assume we will use SETA. Refer to figure 2-2 in section II for socket locations.

<u>LOCATION</u>	<u>ROM IC</u>	<u>BITS</u>	<u>MODULE NO.</u>
A1	12823-80019	7-0	} 40, 41, 42, 43
A2	12823-80020	15-8	
A3	12823-80021	23-16	

- Configure control memory address switches SWA for modules 40, 41, 42, and 43 as shown below. Figures 2-1 and 2-2 can be used for reference.

<u>SWITCH</u>	<u>SETTING</u>
S1	1
S2	0
S3	1
S4	0
S5	1
S6	1
S7	0
S8	1
S9	0
S10	X (Don't care)

- Refer to section II of this manual for the FEM installation procedure.
- Perform verification as described below.

8-4. VERIFICATION

INSTALLATION

After installing the SIS ROMs, verify proper installation by running the firmware self-test. The firmware self-test checks for correct IC orientation and correct SIS firmware addressing.

To execute the SIS self-test proceed as follows:

- Store 105337 (octal) in the A-register.
- Store 0 in the P-register.
- Press RESET.
- Press INSTR STEP.

A 102077 (octal) in the S-register indicates successful completion. Any other value displayed in the S-register indicates the SIS firmware self test failed. Refer to the Service Information paragraph of the FEM section of this manual (section II) for troubleshooting procedure.

S = 102001 Indicates floating point PCA's not cabled or not powered.

S = 102002 Indicates a numerical error in the diagnostic calculation; defective floating point PCA(s) or ROMs.

DIAGNOSTIC

MANUAL

ABSOLUTE BINARY NO.

Floating Point Processor/
Scientific Instruction Set/
Fast FORTRAN Processor

12740-90004

12740-16001

OPERATION

To verify functional operation of the SIS firmware, the FPP/SIS/FFP off-line diagnostic should be run. Refer to the FPP/SIS/FFP Diagnostic Reference Manual for execution procedure.

If the diagnostic test is completed without an error halt, the SIS is operating correctly. If the diagnostic test indicates an error halt, refer to the Service Information paragraph of the FEM section of this manual (section II) for troubleshooting procedure.

HP 12824A/29A VECTOR INSTRUCTION SET FIRMWARE

SECTION

IX

9-1. INTRODUCTION

This section provides installation and reference information for the HP 12824A/29A Vector Instruction Set (VIS) firmware, which is an option for the F-Series Computer. Additional information is provided in the manuals listed in the Preface.

9-2. DESCRIPTION

The Vector Instruction Set (VIS) firmware consists of three read-only-memory (ROM) integrated-circuits (IC's) the three ROMs are allocated to control memory modules 12, 13, 14, and 15.

<u>DESCRIPTION</u>	<u>HP PART NO.</u>
8K ROM IC (Bits 7-0)	12824-80007
8K ROM IC (Bits 15-8)	12824-80008
8K ROM IC (Bits 23-16)	12824-80009

The 12791A Firmware Expansion Module is an accessory which is required for the installation of the three 8K ROMs in a F-Series Computer.

9-3. INSTALLATION

The VIS ROMs are installed on the 12791A Firmware Expansion Module (FEM). To install or remove the three VIS ROMs, proceed as follows.

- Refer to section II of this manual for the FEM removal procedure (if necessary).
- The three VIS ROMs can be installed in any available socket set on the FEM. For example, assume we are going to install the ROMs in SETA. Refer to figure 2-1 for location of the sockets.

<u>LOCATION</u>	<u>ROM IC</u>	<u>BITS</u>	<u>MODULE NO.</u>
A1	12824-80007	7-0	} 12, 13, 14, 15
A2	12824-80008	15-8	
A3	12824-80009	23-16	

- Configure the SETA control memory address switches, SWA, for modules 12, 13, 14, and 15. Refer to figure 2-1 and table 2-1 for reference.

<u>SWITCH</u>	<u>SWA</u>	<u>SETTING</u>
S1		1
S2		0
S3		1
S4		0
S5		1
S6		0
S7		0
S8		1
S9		1
S10		X (Don't care)

- Refer to section II of this manual for the FEM installation procedure.
- Perform verification as described below.

9-4. VERIFICATION

Installation

After installing the VIS ROMs, verify proper installation by running the VIS firmware self-test. The firmware self test checks for correct IC orientation and correct VIS firmware addressing.

To execute the VIS self-test proceed as follows:

- Store 105477 (octal) in the A-register.
- Store 0 in the P-register.
- Press PRESET.
- Press INSTR STEP.

A 102077 (octal) in the S-register indicates successful completion. Any other value displayed in the S-register indicates the VIS firmware self-test failed. Refer to the Service Information paragraph of the FEM section of this manual (section II) for troubleshooting procedure.

Operation

To verify functional operation of the VIS firmware, the VIS on-line diagnostic should be run. Refer to the *VIS Users Manual*, part number 12824-90001, for operating instructions. Troubleshooting procedures are recommended in the FEM section of this manual.

HP 91740B DISTRIBUTED SYSTEM FIRMWARE

SECTION

X

10-1. INTRODUCTION

This section provides quick reference information for the HP 91740B E/F-Series Distributed System (DS/1000) Firmware. Complete installation information can be found in the *HP 91740B Distributed System (DS/1000) Firmware Installation Manual*, part no. 91740-90009, which is supplied with the product. Additional information is provided in the manuals listed in the Preface.

10-2. DESCRIPTION

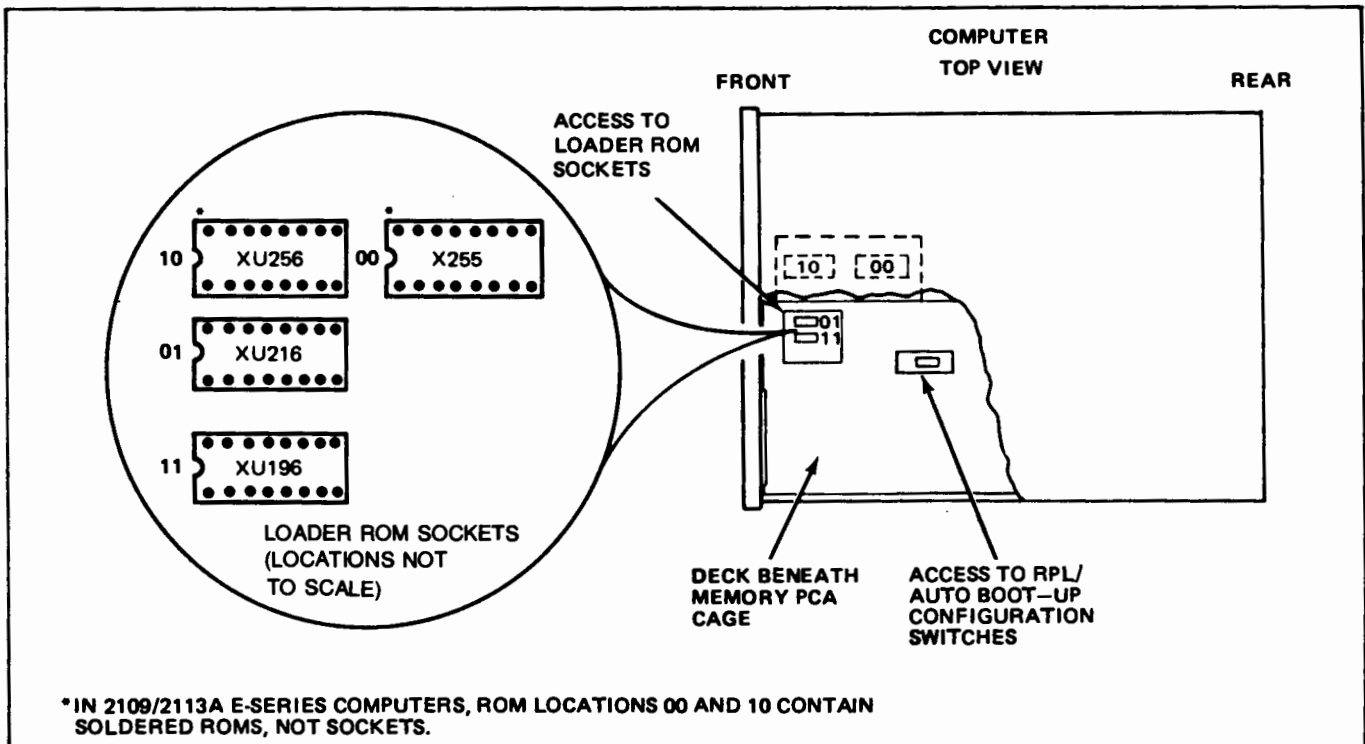
The HP 91740B Firmware consists of one DS/1000 Communications Bootstrap Loader (CBL) ROM and three DS/1000 Driver Microcode ROM's. The CBL is an Initial Binary Loader (IBL) that is installed in one of the loader ROM sockets on the Central Processing Unit (CPU) PCA. The driver ROM's contain a microprogram that allows communication between other Hewlett-Packard Computers that are equipped with DS/1000 and the appropriate communication interfaces. These driver ROM's are installed on the HP 13304A Firmware Accessory Board

(FAB). The HP part numbers for the HP 91740B Firmware are as follows:

DESCRIPTION	HP PART NO.
CBL ROM	
1k ROM IC	91740-80048
DRIVER MICROCODE ROM's	
4k ROM IC (Bits 7-0)	91740-80067
4k ROM IC (Bits 15-8)	91740-80068
4k ROM IC (Bits 23-16)	91740-80069

10-3. INSTALLATION

A loader ROM socket on the CPU board is required for installation of CBL ROM (Figure 10-1). The HP 13304A Firmware Accessory Board is required for installation of the three driver microcode ROM's. These ROM's should be installed in the MSMP (most significant module pair) of block C.



- a. Install the CBL ROM in loader ROM socket 11 in an A-Model computer (2109A, 2113A), or in socket 10 or 11 in a 2109B/E, 2113B/E, 2111F, or 2117F model computer.
- b. Refer to section I of this manual for the FAB removal procedure.
- c. Due to the allocations of the FAB for other HP optional firmware, and that the DS/1000 driver microcode operates in a most significant module pair (MSMP) block, the DS/1000 ROMs should be installed in the following locations. Refer to figure 1-2 in section I for socket locations.

LOCATION	ROM IC	BITS	MODULE NO.
C4 (XU106)	91740-80067	7-0	} 38,39
C5 (XU108)	91740-80068	15-8	
C6 (XU109)	91740-80069	23-16	

- c. Configure control memory address jumpers for modules 38 and 39 as shown below. Refer to figures 1-1 and 1-2 for location of jumper and settings.

JUMPER	SETTING
10C	1
11C	0
12C	0
13	1

- d. Refer to section I of this manual for the FAB installation procedure.
- e. Perform verification as described below.

10-4. VERIFICATION

After reinstalling the computer in your system, verify correct DS/1000 Firmware installation by running the DS/1000 Self-Test. The DS/1000 Self-Test checks for correct IC orientation and correct DS/1000 firmware addressing.

To execute the DS/1000 Self-Test proceed as follows:

- a. Press < Register Select >, as required, to select the S-register for display in the Display Register. The light associated with the S-register will be on, once the S-register is selected.
- b. Press CLEAR DISPLAY to clear the contents of the Display Register. If the CBL ROM was installed in

loader socket 11₂ (XU196), press switches 14 and 15. If the CBL ROM was installed in loader socket 10₂ (XU256), press switch 15. This sets the bits in the Display Register which selects the CBL ROM.

- c. Set bits 6 through 11 of the Display Register to the select code of the DS/1000 communications interface. The select code corresponds to the octal number marked on the computer chassis adjacent to the card slot containing the DS/1000 communications interface card. If a system contains multiple DS/1000 communications PCA's, choose the select code of the primary downloading PCA.
- d. Press STORE.
- e. Press PRESET and then IBL/TEST. Do NOT press RUN!
- f. Press < Register Select >, as required, to select the P-register. Do NOT clear the display. Press switches 3, 4, and 5 to set bits 3, 4, and 5 in the Display Register. Press STORE.
- g. Press RUN.

If the DS/1000 CBL ROM and Driver Microcode ROM's are installed properly, the RUN light will remain lit and the Display Register will indicate the date code of the installed firmware. If the Display Register is partitioned into four equal sections (Table 10-1) with each section representing a BCD digit (bits 15-12 representing the most significant digit), the number displayed corresponds to the approximate release time of this firmware.

If the Display Register indicates 10205₈, the RUN light is off, and the T-register select light is on, then the CBL ROM is installed properly; but, a problem concerning the DS/1000 Driver Microcode ROM's has been detected. The FAB assembly should be removed and inspected for the following:

- a. Incorrect ROM IC orientation.
- b. Incorrect jumper positioning.
- c. Bent or broken ROM IC pin(s).
- d. Incorrect 4K ROM IC part numbers.
- e. Damaged parts.

If the Display Register contains any other value, the CBL ROM should be inspected for the following.

- a. Incorrect orientation.
- b. Bent or broken pin(s).

c. Incorrect part number. Also, other Display Register values may result from a CPU failure.

If these inspections locate a problem, correct it and run the DS/1000 Self-Test again. If the failure still exists, isolate the faulty ROM IC(s) by substituting a good ROM IC(s). If failure still exists, contact your nearest Hewlett-Packard Sales and Service Office. A list of HP Sales and Service Offices is provided in your Computer Installation and Service Manual.

To perform verification without a CBL ROM installed, proceed as follows:

a. Select the A-Register and set it as follows:

E/F-Series = 105304 octal

b. Set the P and S-Registers to 0.

This firmware requires that the software communications driver (%DVA65, HP Part Number 91740-16071) must be revision level 1805 or later.

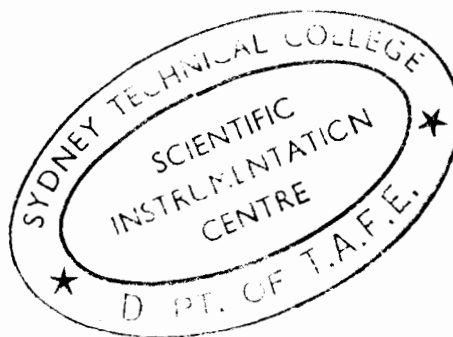
c. Press PRESET and INSTR STEP.

d. If the firmware passes the self-test, the S-Register will display the date code in BCD as shown in table 10-1.

Refer to *Network Manager's Manual*, part no. 91740-90003 for generation and operating procedures.

Table 10-1. Display Register with Self-Test Passed

BCD	2			0			0			3						
LAMPS ON BITS	☆															
	15	14	13	12	11	10	9	8	7	6	5	4	3	2	1	0
OCTAL	0	2		0			0			0			3			



M/E/F-SERIES CONTROL MEMORY ALLOCATION

SECTION

XI

11-1. CONTROL MEMORY MAPS

This section contains the Control Memory allocation for HP 1000 M/E/F-Series computers.

CONTROL MEMORY MODULE ALLOCATION	MODULE NO.	ADDRESS		SOFTWARE ENTRY POINT	
		DECIMAL	OCTAL		
HP BASE SET HP DYNAMIC MAPPING INSTRUCTIONS →	0	0-00255	00000-00377	YES	-1K
	1	00256-00511	00400-00777	YES	
	2	00512-00767	01000-01377	YES	
HP FAST FORTRAN PROCESSOR	3	00768-01023	01400-01777	YES	-2K
	4	01024-01279	02000-02377	YES	
	5	01280-01535	02400-02777	YES	
HP RESERVED	6	01536-01761	03000-03377	YES	-3K
	7	01762-02047	03400-03777	YES	
	8	02048-02303	04000-04377	YES	
DS/1000	9	02304-02559	04400-04777	YES	-4K
	10	02560-02815	05000-05377	YES	
RECOMMENDED FOR USER MICROPROGRAMMING	11	02816-03071	05400-05777	YES	
	12	03072-03327	06000-06377	YES	
HP BASE SET	13	03328-03583	06400-06777	YES	
	14	03584-03849	07000-07377	YES	
	15	03850-04095	07400-07777	YES	

Figure 11-1. M-Series Control Memory Map

CONTROL MEMORY MAPS

CONTROL MEMORY MODULE ALLOCATION	MODULE NO.	ADDRESS		SOFTWARE ENTRY POINT		
		DECIMAL	OCTAL			
HP BASE SET	0	0-002551	00000-00377	YES	1K	
	1	00256-00511	00400-00777	YES		
	2	00512-00767	01000-01377	YES		
	3	00768-01023	01400-01777	YES		
	4	01024-01279	02000-02377	NO		2K
	5	01280-01535	02400-02777	NO		
	6	01536-01761	03000-03377	NO		
7	01762-02047	03400-03777	NO			
AVAILABLE FOR USER MICROPROGRAMMING	8	02048-02303	04000-04377	NO	3K	
	9	02304-02559	04400-04777	NO		
	10	02560-02815	05000-05377	NO		
	11	02816-03071	05400-05777	NO		
	12	03072-03327	06000-06377	NO	4K	
	13	03328-03583	06400-06777	NO		
	14	03584-03849	07000-07377	NO		
	15	03850-04095	07400-07777	NO		
	16	04096-04351	10000-10377	NO	5K	
	17	04352-04607	10400-10777	NO		
	18	04608-04863	11000-11377	NO		
	19	04864-05119	11400-11777	NO		
	HP DYNAMIC MAPPING SYSTEM	20	05120-05375	12000-12377	NO	6K
		21	05376-05631	12400-12777	NO	
		22	05632-05887	13000-13377	NO	
23		05888-06143	13400-13777	NO		
24		06144-06399	14000-14377	NO	7K	
25		06400-06655	14400-14777	NO		
26		06656-06911	15000-15377	NO		
27		06912-07167	15400-15777	NO		
HP FAST FORTRAN PROCESSOR	28	07168-07423	16000-16377	NO	8K	
	29	07424-07679	16400-16777	NO		
	30	07680-07935	17000-17377	NO		
	31	07936-08191	17400-17777	NO		
RTE-IV EMA OR RTE-6/VM EMA/VMA DS/1000	32	08192-08447	20000-20377	YES	9K	
	33	08448-08703	20400-20777	NO		
	34	08704-08959	21000-21377	YES		
	35	08960-09215	21400-21777	YES		
HP RESERVED	36	09216-09571	22000-22377	YES	10K	
	37	09572-09727	22400-22777	YES		
	38	09728-09983	23000-23377	YES		
	39	09984-10239	23400-23777	YES		
RTE-6/VM OPERATING SYSTEM	40	10240-10495	24000-24377	YES	11K	
	41	10496-10751	24400-24777	NO		
	42	10752-10917	25000-25377	NO		
	43	10918-11263	25400-25777	NO		
RECOMMENDED FOR USER MICROPROGRAMMING	44	11264-11519	26000-26377	YES	12K	
	45	11520-11775	26400-26777	YES		
	46	11776-12031	27000-27377	YES		
	47	12032-12287	27400-27777	YES		
	48	12288-12543	30000-30377	YES	13K	
	49	12544-12799	30400-30777	YES		
	50	12800-13055	31000-31377	YES		
	51	13056-13311	31400-31777	NO		
	52	13312-13557	32000-32377	NO	14K	
	53	13558-13823	32400-32777	NO		
	54	13824-14079	33000-33377	NO		
	55	14080-14335	33400-33777	NO		
	56	14336-14591	34000-34377	YES	15K	
	57	14592-14847	34400-34777	YES		
	58	14848-15103	35000-35377	YES		
	59	15104-15359	35400-35777	YES		
	60	15360-15615	36000-36377	YES	16K	
	61	15616-15871	36400-36777	NO		
	62	15872-16127	37000-37377	YES		
	63	16128-16383	37400-37777	NO		

Figure 11-2. E-Series Control Memory Map

CONTROL MEMORY MODULE ALLOCATION	MODULE NO.	ADDRESS		SOFTWARE ENTRY POINT	
		DECIMAL	OCTAL		
HP BASE SET	0	0-002551	00000-00377	YES	1K
	1	00256-00511	00400-00777	YES	
	2	00512-00767	01000-01377	YES	
	3	00768-01023	01400-01777	YES	
HP RESERVED	4	01024-01279	02000-02377	YES	2K
	5	01280-01535	02400-02777	NO	
	6	01536-01761	03000-03377	NO	
	7	01762-02047	03400-03777	NO	
VECTOR INSTRUCTION SET	8	02048-02303	04000-04377	YES	3K
	9	02304-02559	04400-04777	NO	
	10	02560-02815	05000-05377	NO	
	11	02816-03071	05400-05777	NO	
RTE-6/VM OPERATING SYSTEM	12	03072-03327	06000-06377	YES	4K
	13	03328-03583	06400-06777	NO	
	14	03584-03849	07000-07377	NO	
	15	03850-04095	07400-07777	NO	
HP RESERVED	16	04096-04351	10000-10377	YES	5K
	17	04352-04607	10400-10777	NO	
	18	04608-04863	11000-11377	YES	
	19	04864-05119	11400-11777	NO	
HP RESERVED	20	05120-05375	12000-12377	YES	6K
	21	05376-05631	12400-12777	NO	
	22	05632-05887	13000-13377	NO	
	23	05888-06143	13400-13777	NO	
AVAILABLE FOR USER MICROPROGRAMMING	24	06144-06399	14000-14377	NO	7K
	25	06400-06655	14400-14777	NO	
	26	06656-06911	15000-15377	NO	
	27	06912-07167	15400-15777	NO	
HP DYNAMIC MAPPING SYSTEM	28	07168-07423	16000-16377	NO	8K
	29	07424-07679	16400-16777	NO	
	30	07680-07935	17000-17377	NO	
	31	07936-08191	17400-17777	NO	
HP FAST FORTRAN PROCESSOR	32	08192-08447	20000-20377	YES	9K
	33	08448-08703	20400-20777	NO	
	34	08704-08959	21000-21377	YES	
	35	08960-09215	21400-21777	YES	
RTE-IV EMA OR RTE-6/VM EMA/VMA DS/1000	36	09216-09571	22000-22377	YES	10K
	37	09572-09727	22400-22777	NO	
	38	09728-09983	23000-23377	YES	
	39	09984-10239	23400-23777	NO	
SCIENTIFIC INSTRUCTION SET	40	10240-10495	24000-24377	YES	11K
	41	10496-10751	24400-24777	NO	
	42	10752-10917	25000-25377	NO	
	43	10918-11263	25400-25777	NO	
HP RESERVED	44	11264-11519	26000-26377	NO	12K
	45	11520-11775	26400-26777	NO	
	46	11776-12031	27000-27377	YES	
	47	12032-12287	27400-27777	YES	
RECOMMENDED FOR USER MICROPROGRAMMING	48	12288-12543	30000-30377	YES	13K
	49	12544-12799	30400-30777	YES	
	50	12800-13055	31000-31377	YES	
	51	13056-13311	31400-31777	NO	
RECOMMENDED FOR USER MICROPROGRAMMING	52	13312-13557	32000-32377	NO	14K
	53	13558-13823	32400-32777	NO	
	54	13824-14079	33000-33377	NO	
	55	14080-14335	33400-33777	NO	
RECOMMENDED FOR USER MICROPROGRAMMING	56	14336-14591	34000-34377	YES	15K
	57	14592-14847	34400-34777	YES	
	58	14848-15103	35000-35377	YES	
	59	15104-15359	35400-35777	YES	
RECOMMENDED FOR USER MICROPROGRAMMING	60	15360-15615	36000-36377	YES	16K
	61	15616-15871	36400-36777	NO	
	62	15872-16127	37000-37377	YES	
	63	16128-16383	37400-37777	NO	

Figure 11-3. F-Series Control Memory Map

HP 1000 E-SERIES BASE INSTRUCTION SET AND EIG/FLOATING POINT FIRMWARE

SECTION XII



12-1. INTRODUCTION

This section provides installation and reference information for the E-Series Base Set (BS) and Extended Instruction Group/Floating Point (EIG/FP) Firmware. Additional information is provided in the manuals listed in the Preface.

12-2. DESCRIPTION

The E-Series Base Set and EIG/Floating Point ROMs (BS and EIG/FP) consist of 3 read-only-memory (ROM) integrated-circuits (IC's).

Description	HP Part No.
8K ROM IC (bits 7-0)	02113-80006
8K ROM IC (bits 15-8)	02113-80007
8K ROM IC (bits 23-16)	02113-80008

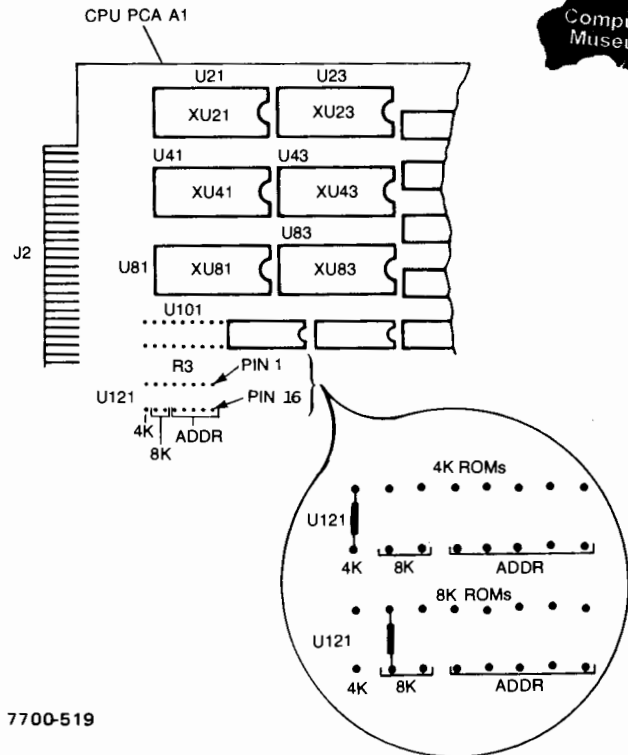
12-3. INSTALLATION

The BS and EIG/FP ROMs can be installed on the CPU board or a Firmware Expansion Module (FEM). If a FEM is available, it is recommended that the ROMs be installed here to facilitate future service.

CPU BOARD

- Remove the CPU board as described in the appropriate Installation and Service Manual.
- The ROMs must be installed in the following locations.

Location	ROM IC	Bits	Module No.
U21	VACANT	—	—
U41	VACANT	—	—
U81	VACANT	—	—
U23	02113-80006	7-0	0, 1, 2, 3
U43	02113-80007	8-15	
U83	02113-80008	16-23	



- Configure the CPU board for operation with 8K ROMs.

Only the 8K jumper nearest the 4K jumper must be in (pins 7 and 10 of IC location U121). All other jumpers must be out. The silk screen indicating a second 8K jumper (pins 6 and 11) is in error, and this jumper must be out.

- Install the CPU board as described in the appropriate Installation and Service Manual.
- Perform the verification as described below.

FIRMWARE EXPANSION MODULE

- Refer to section II of this manual for the FEM removal procedure (if necessary).
- The ROMs can be installed in any available socket on the FEM. For example, assume we are going to use SET A.

Location	ROM IC
A1	02113-80006
A2	02113-80007
A3	02113-80008

- c. Configure SWA for 8K ROMs modules 0, 1, 2, 3. Refer to figure 2-1 and table 2-1.

All unused socket sets must have switch S1 closed.

SWA

Switch	Setting
S1	1
S2	0
S3	1
S4	0
S5	1
S6	0
S7	0
S8	0
S9	0
S10	X (Don't care)

- d. Install the FEM board.
- e. Perform the verification as described below.

12-4. VERIFICATION

INSTALLATION

After installing the ROMs, verify proper installation by running the firmware self test.

The base set includes three tests that quickly test the computer and memory. These firmware self-tests are not designed as a substitute for more complex software diagnostics and it may frequently be the case that you require a more thorough and detailed testing than provided by these standard self-test routines.

Test 1 tests most of the computer registers and functions. This test will not alter or destroy the contents of any working register or memory. An error condition will set all display register indicator bits (A, B, M, T, P, S) and the overflow register. The execution time is negligible.

Test 2 is a fast microprogrammed memory test that checks the presently enabled memory space (up to 32k words). The microprogram reads each memory location, complements the data and writes it back, reads it, compares it to expected data, then complements it and writes it back into memory. The execution time is negligible and is non-destructive to memory data. An error condition is usually accompanied by a parity error indication and will set all display register indicator bits and clear the overflow register. The A-register will contain the expected (good) data, the B-register will contain the actual (bad) data, and the M-register will contain the logical memory location of the failure.

Test 3 is a significantly more sophisticated microprogrammed memory test. All memory installed in the computer will be tested. Execution time is dependent on

the amount of memory installed; approximately one second per 32k words. The display register will increment as each 32k words of memory are tested. Error reporting is the same as in Test 2 except the S-register will contain the number of the 32k words where the memory failure occurred.

On a cold power-up (as described below), Tests 1 and 3 will each be executed once. Pressing the IBL/TEST switch on the operator panel will not only perform the loader function, it will also cause the execution of Tests 1 and 2.

Executing the octal instruction 100000 via the INSTR STEP switch on the operator panel with the LOCK/OPERATE switch in the OPERATE position will execute Tests 1 and 3 once. The information contained in the S-register (when selected) will be the final background pattern used to test memory. This may also be used to easily load the entire memory with the same bit pattern. While the tests are executing, the LOCK/OPERATE switch may be set to the LOCK position and the microprogrammed self-tests will loop continuously until the LOCK/OPERATE switch is returned to the OPERATE position. A memory failure, of course, will terminate the test and report the error.

To check most computer registers and functions and all physical memory, perform the cold power-up procedure as follows:

- a. Set ~ POWER switch to OFF. If computer is equipped with an optional power fail recovery system, set BATTERY switch to OFF.
- b. Set the LOCK/OPERATE switch to OPERATE. Wait approximately six seconds and then set ~ POWER switch to ON.
- c. Set BATTERY switch to INT (if installed).
- d. The self-test will begin execution and the Display Register can be observed incrementing if a dynamic mapping system (DMS) is installed.
- e. Upon successful completion, the T-register will automatically be selected for display.
- f. If a computer failure is detected, the Display Register, all six working register indicators (A, B, M, T, P, S), and the OVERFLOW indicator are lighted. Refer to the appropriate Installation and Service manual for troubleshooting procedure.
- g. If a memory failure is detected, the Display Register, and all six working register indicators (A, B, M, T, P, S) are lighted and the OVERFLOW indicator is not lighted. To isolate the memory failure, refer to the appropriate Memory Systems Installation and Service Manual.

To execute tests 1 and 3 once from the operator panel:

- a. Store 100000 (octal) in the A-register.
- b. Store 0 in the P-register.
- c. Press PRESET.
- d. Press INSTR STEP.

Upon successful completion, the T-register will automatically be selected for display. A failure will result in the conditions indicated in steps f and g above.

OPERATION

To verify operation of the CPU and all Base Set instructions, refer to the Diagnostic Configurator Reference

Manual (part no. 02100-90157), Table A-1 or A-2, and run the appropriate instruction group diagnostic.

<u>Description</u>	<u>Manual</u>	<u>Absolute Binary No.</u>
Memory Reference Instruction Group	02100-90218	24315-16001
Alter Skip Instruction Group	02100-90211	24316-16001
Shift Rotate Instruction Group	02100-90212	24317-16001
EAU Instruction Group	02100-90214	24319-16001
Floating Point Instruction Group	24320-90001	24320-16001
I/O Instruction Group/I/O Extender	02100-90213	24318-16001
Extended Instruction Group (Index)	12943-90004	12943-16002
Extended Instruction Group (Word, Byte, Bit)	12943-90004	12943-16001

HP 1000 F-SERIES BASE INSTRUCTION SET AND EIG/FLOATING POINT FIRMWARE

SECTION XIII

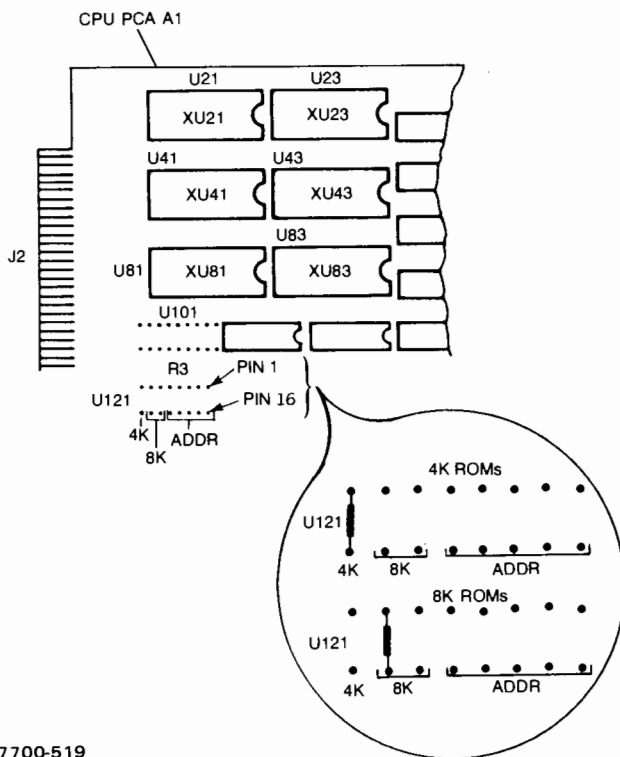
13-1. INTRODUCTION

This section provides installation and reference information for the F-Series Base Set (BS) and Extended Instruction Group/Floating Point (EIG/FP) Firmware. Additional information is provided in the manuals listed in the Preface.

13-2. DESCRIPTION

The F-Series Base Set and EIG/Floating Point ROMs (BS and EIG/FP) consist of 3 read-only-memory (ROM) integrated circuits (IC's).

Description	HP Part No.
8K ROM IC (bits 7-0)	02117-80016
8K ROM IC (bits 15-8)	02117-80017
8K ROM IC (bits 23-16)	02117-80018



7700-519

13-3. INSTALLATION

The BS and EIG/FP ROMs can be installed on the CPU board or a Firmware Expansion Module (FEM). If a FEM is available, it is recommended that the ROMs be installed here to facilitate future service.

CPU BOARD

- Remove the CPU board as described in the appropriate Installation and Service Manual.
- The ROMs must be installed in the following locations.

Location	ROM IC	Bits	Module No.
U21	VACANT	—	—
U41	VACANT	—	—
U81	VACANT	—	—
U23	02117-80016	7-0	0, 1, 2, 3
U43	02117-80017	15-8	
U83	02117-80018	23-16	

- Configure the CPU board for operation with 8K ROMs.

Only the 8K jumper nearest the 4K jumper must be in (pins 6 and 9 of IC location U121). All other jumpers must be out. The silk screen indicating a second 8K jumper is in error.

- Install the CPU board as described in the appropriate Installation and Service Manual.
- Perform the verification as described below.

FIRMWARE EXPANSION MODULE

- Refer to section II of this manual for the FEM removal procedure (if necessary).
- The ROMs can be installed in any available socket set on the FEM. For example, assume we are going to use Set A.

Location	ROM IC
A1	02117-80016
A2	02117-80017
A3	02117-80018

- c. For 8K ROM configuration, configure SWA for modules 0, 1, 2, 3. Refer to figure 2-1 and table 2-1 for reference.

All unused socket sets must have switch S1 closed.

SWA

Switch	Setting
S1	1
S2	0
S3	1
S4	0
S5	1
S6	0
S7	0
S8	0
S9	0
S10	X (Don't care)

- d. Install the FEM board.
- e. Perform the verification as described below.

13-4. VERIFICATION

INSTALLATION

After installing the ROMs, verify proper installation by running the firmware self test.

CPU AND MEMORY. The base set includes three tests that quickly test the computer and memory. These firmware self-tests are not designed as a substitute for more complex software diagnostics and it may frequently be the case that you require a more thorough and detailed testing than provided by these standard self-test routines.

Test 1 tests most of the computer registers and functions. This test will not alter or destroy the contents of any working register or memory. An error condition will set all display register indicator bits (A, B, M, T, P, S) and the overflow register. The execution time is negligible.

Test 2 is a fast microprogrammed memory test that checks the presently enabled memory space (up to 32k words). The microprogram reads each memory location, complements the data and writes it back, reads it, compares it to expected data, then complements it and writes it back into memory. The execution time is negligible and is non-destructive to memory data. An error condition is usually accompanied by a parity error indication and will set all display register indicator bits and clear the overflow register. The A-register will contain the expected (good) data, the B-register will contain the actual (bad) data, and the M-register will contain the logical memory location of the failure.

Test 3 is a significantly more sophisticated microprogrammed memory test. All memory installed in the

computer will be tested. Execution time is dependent on the amount of memory installed; approximately one second per 32k words. The display register will increment as each 32k words of memory are tested. Error reporting is the same as in Test 2 except the S-register will contain the number of the 32k words where the memory failure occurred.

On a cold power-up (as described below), Tests 1 and 3 will each be executed once. Pressing the IBL/TEST switch on the operator panel will not only perform the loader function, it will also cause the execution of Tests 1 and 2.

Executing the octal instruction 100000 via the INSTR STEP switch on the operator panel with the LOCK/OPERATE switch in the OPERATE position will execute Tests 1 and 3 once. The information contained in the S-register (when selected) will be the final background pattern used to test memory. This may also be used to easily load the entire memory with the same bit pattern. While the tests are executing, the LOCK/OPERATE switch may be set to the LOCK position and the microprogrammed self-tests will loop continuously until the LOCK/OPERATE switch is returned to the OPERATE position. A memory failure, of course, will terminate the test and report the error.

To check most computer registers and functions and all physical memory, perform the cold power-up procedure as follows:

- a. Set ~ POWER switch to OFF. If computer is equipped with an optional power fail recovery system, set BATTERY switch to OFF.
- b. Set the LOCK/OPERATE switch to OPERATE. Wait approximately six seconds and then set ~ POWER switch to ON.
- c. Set BATTERY switch to INT (if installed).
- d. The self-test will begin execution and the Display Register can be observed incrementing if a dynamic mapping system (DMS) is installed.
- e. Upon successful completion, the T-register will automatically be selected for display.
- f. If a computer failure is detected, the Display Register, all six working register indicators (A, B, M, T, P, S), and the OVERFLOW indicator are lighted. Refer to the appropriate Installation and Service manual for troubleshooting procedure.
- g. If a memory failure is detected, the Display Register, and all six working register indicators (A, B, M, T, P, S) are lighted and the OVERFLOW indicator is not lighted. To isolate the memory failure, refer to the appropriate Memory Systems Installation and Service Manual.

To execute tests 1 and 3 once from the operator panel:

- a. Store 100000 (octal) in the A-register.
- b. Store 0 in the P-register.
- c. Press PRESET.
- d. Press INSTR STEP.

Upon successful completion, the T-register will automatically be selected for display. A failure will result in the conditions indicated in steps f and g above.

FLOATING POINT. The F-Series computer includes a firmware self-test for testing the floating point PCA's. This self-test detects obvious trouble symptoms but is not intended as a substitute for the more comprehensive software diagnostic. (The self-test can only be executed in the single-step front panel mode; if entered in the run-mode, a NOP is performed.) To execute the firmware self-test, proceed as follows:

- a. Store 105004 (octal) in the A-register.
- b. Store 0 in the P-register and press PRESET. If the OVFL light remains on, check that the FPP-MPP cable is installed correctly (not twisted). Otherwise, a defective CPU, floating point PCA, or FPP is indicated. Use software diagnostics for further troubleshooting.
- c. Press INSTR STEP.
- d. A 102077 (octal) in the display register (S) indicates successful completion. If 10200X (octal) is returned in the display register, the firmware test failed and the halt code is interpreted as shown in table 13-1. If the firmware test returns an error halt code, use software diagnostics for further troubleshooting.

Table 13-1. Floating Point Self-Test Error Halts

HALT	PROBABLE PROBLEM
102001	<ol style="list-style-type: none"> a. Power not supplied to floating-point PCA's. b. FPP-MPP cable not properly connected. Refer to Installation and Reference Manual. c. Floating point CONTROL PCA not installed or not connected properly. d. If A-register not 177777 (octal) and B-register not 0, then floating point ROMs defective.
102002	<ol style="list-style-type: none"> a. If A- and B-registers equal 0 and OVFL lit, then FPP-MPP cable twisted. b. If A- and B-registers equal 177777 (octal), then floating point ARITH PCA not connected properly or CPU-MPP cable not connected.
102003	<ol style="list-style-type: none"> a. Floating point PCA, ALU PCA, or cables defective.
102004	<ol style="list-style-type: none"> a. Floating point PCA, ALU PCA, or cables defective.
XXXXXX	<ol style="list-style-type: none"> a. If display register does not indicate any of the above halts, either the floating point ROMs are not present, ROMs are defective, or computer is defective.

OPERATION

To verify operation of the CPU and all Base Set Instructions, and HFPP, refer to the Diagnostic Configurator Reference Manual (part no. 02100-90157), Table A-1 or A-2, and run the appropriate instruction group diagnostic.

<u>Description</u>	<u>Manual</u>	<u>Absolute Binary No.</u>
Memory Reference Instruction Group	02100-90218	24315-16001
Alter Skip Instruction Group	02100-90211	24316-16001
Shift Rotate Instruction Group	02100-90212	24317-16001
EAU Instruction Group	02100-90214	24319-16001
I/O Instruction Group/I/O Extender	02100-90213	24318-16001
Extended Instruction Group (Index)	12943-90004	12943-16002
Extended Instruction Group (Word, Byte, Bit)	12943-90004	12943-16001
F-Series FPP/SIS/FFP	12740-90004	12740-16001

E-SERIES RTE-6/VM OPERATING SYSTEM/EMA/VMA FIRMWARE

SECTION

XIV



14-1. INTRODUCTION

This section provides installation and reference information for the HP RTE-6/VM Operating System/Extended Memory Area/Virtual Memory Area (OS/EMA/VMA) Firmware for the HP 1000 E-Series. See Section XV for similar information for an HP 1000 F-Series. Additional information is provided in the manuals listed in the Preface.

14-2. DESCRIPTION

The HP RTE-6/VM OS/VMA/EMA firmware consists of six 4K ROMs that are installed on the FEM board. The six ROMs are divided into two groups, a set of three 4K ROMs for the RTE-6/VM Operating System firmware allocated to control memory modules 44 and 45, and a set of three 4K ROMs for the RTE-6/VM EMA/VMA firmware allocated to control memory modules 36 and 37 as follows:

DESCRIPTION	HP PART NO.	CONTROL MEMORY MODULE NO.
4K ROM IC (bits 7-0)	92084-80001	44, 45
4K ROM IC (bits 15-8)	92084-80002	44, 45
4K ROM IC (bits 23-16)	92084-80003	44, 45
4K ROM IC (bits 7-0)	92084-80004	36, 37
4K ROM IC (bits 15-8)	92084-80005	36, 37
4K ROM IC (bits 23-26)	92084-80006	36, 37

14-3. INSTALLATION

The six RTE-6/VM OS/VMA/EMA ROMs can be installed on the HP 13304A Firmware Accessory Board (FAB) or the HP 12791A Firmware Expansion Module (FEM). If a FEM with an unused block of sockets is available, it may be desirable to install the ROMs on the FEM to facilitate future access to the ROMs.

NOTE

The RTE-IV EMA firmware is allocated to the same Control Store modules as the RTE-6/VM EMA/VMA firmware. Therefore, RTE-6/VM EMA/VMA and RTE-IV EMA firmware must not both be installed in the same computer.

14-4. FIRMWARE ACCESSORY BOARD

- Install the six ROM ICs in the following locations on the FAB (see figure 1-2):

LOCATION	ROM IC	BITS	MODULE NO.
D1 (XU101)	92084-80001	7-0	44, 45
D2 (XU102)	92084-80002	15-8	44, 45
D3 (XU103)	92084-80003	23-16	44, 45
C1 (XU201)	92084-80004	7-0	36, 37
C2 (XU202)	92084-80005	15-8	36, 37
C3 (XU203)	92084-80006	23-16	36, 37

NOTE

If DS/1000 ROMs 91740-80064, 91740-80065, and 91740-80066 are located on the FAB board, they must be located in sockets C4, C5, and C6 respectively.

- Set jumpers on FAB as follows:

JUMPER	SETTING
10C	1
11C	0
12C	0
13C	1
10D	1
11D	1
12D	0
13D	1

- Refer to Section I for the FAB installation procedure.
- Perform verification as described below in Section 14-5.

14-5. FIRMWARE EXPANSION MODULE

- Refer to section II of this manual for the FEM removal and installation procedure.
- Install the six ROM ICs in any available set of sockets and configure the switches as shown in table 2-1 for Control Memory modules 36, 37, 44, and 45.
- Refer to section II for the FEM installation procedure.
- Perform verification as described below.

14-6. VERIFICATION

After reinstalling the computer in your system, verify correct RTE-6/VM OS/EMA/VMA Firmware installation by running the two RTE-6/VM Firmware Self-Tests. Both Self-Tests check for correct IC orientation and firmware addressing — one checks the RTE-6/VM OS firmware and the other checks the RTE-6/VM EMA/VMA firmware. To execute the RTE-6/VM OS Firmware Self-Test proceed as follows:

- a. Store 105355B in the A-Register.
- b. Store 0 in the P-Register.
- c. Press PRESET.
- d. Press INSTR STEP.

If the Self-Test passes, a 102077B will appear in the S-Register. The contents of the x-Register will indicate the revision of the installed firmware. Any other value displayed in the S-Register indicates the RTE-6/VM OS Firmware Self-Test failed. Refer to the Service Information paragraph of the FEM section of this manual (section II) for troubleshooting procedure.

To execute the RTE-6/VM EMA/VMA Firmware Self-Test proceed as follows:

- a. Store 105242B in the A-Register.
- b. Store 0 in the P-Register.
- c. Press PRESET.
- d. Press INSTR STEP.

If the Self-Test passes, a 102077B will appear in the S-Register. The contents of the x-Register indicate the revision of the installed firmware. Any other value displayed in the S-Register indicates the RTE-6/VM VMA/EMA Firmware Self-Test failed. Refer to the Service Information paragraph of the FEM section of this manual (section II) for troubleshooting procedure.

F-SERIES RTE-6/VM OPERATING SYSTEM/EMA/VMA FIRMWARE

SECTION

XV

15-1. INTRODUCTION

This section provides installation and reference information for the HP RTE-6/VM Operating System/Extended Memory Area/Virtual Memory Area (OS/EMA/VMA) Firmware for the HP 1000 F-Series. See section XIV for similar information for an HP 1000 E-Series. Additional information is provided in the manuals listed in the Preface.

15-2. DESCRIPTION

The HP RTE-6/VM OS/VMA/EMA firmware consists of six 4K ROMs that are installed on the FEM board. The six ROMs are divided into two groups, a set of three 4K ROMs for the RTE-6/VM Operating System firmware allocated to control memory modules 16 and 17, and a set of three 4K ROMs for the RTE-6/VM EMA/VMA firmware allocated to control memory modules 36 and 37 as follows:

DESCRIPTION	HP PART NO.	CONTROL MEMORY MODULE NO.
4K ROM IC (bits 7-0)	92084-80001	16, 17
4K ROM IC (bits 15-8)	92084-80002	16, 17
4K ROM IC (bits 23-16)	92084-80003	16, 17
4K ROM IC (bits 7-0)	92084-80004	36, 37
4K ROM IC (bits 15-8)	92084-80005	36, 37
4K ROM IC (bits 23-26)	92084-80006	36, 37

15-3. INSTALLATION

The RTE-6/VM OS/EMA/VMA ROMs are installed on the 12791A Firmware Expansion Module (FEM). To install or remove the six RTE-6/VM ROMs, proceed as follows.

- Refer to section II of this manual for the FEM removal and installation procedure.
- Install the six ROM ICs in any available set of sockets and configure the switches as shown in table 2-1 for Control Memory modules 36, 37, 16, and 17.
- Refer to section II for the FEM installation procedure.
- Perform verification as described below.

NOTE

The RTE-IV EMA firmware is allocated to the same Control Store modules as the RTE-6/VM EMA/VMA firmware. Therefore, the RTE-6/VM EMA/VMA and the RTE-IV firmware must not both be installed in the same computer.

15-4. VERIFICATION

After reinstalling the computer in your system, verify correct RTE-6/VM OS/EMA/VMA Firmware installation by running the two RTE-6/VM Firmware Self-Tests. Both Self-Tests check for correct IC orientation and firmware addressing — one checks the RTE-6/VM OS firmware and the other checks the RTE-6/VM EMA/VMA firmware. To execute the RTE-6/VM OS Firmware Self-Test proceed as follows:

- Store 105355B in the A-Register.
- Store 0 in the P-Register.
- Press PRESET.
- Press INSTR STEP.

If the Self-Test passes, a 102077B will appear in the S-Register. The contents of the x-Register will indicate the revision of the installed firmware. Any other value displayed in the S-Register indicates the RTE-6/VM OS firmware self-test failed. Refer to the Service Information paragraph of the FEM section of this manual (section II) for troubleshooting procedure.

To execute the RTE-6/VM EMA/VMA Firmware Self-Test proceed as follows:

- Store 105242B in the A-Register.
- Store 0 in the P-Register.
- Press PRESET.
- Press INSTR STEP.

If the Self-Test passes, a 102077B will appear in the S-Register. The contents of the x-Register will indicate the current revision of the installed firmware. Any other value displayed in the S-Register indicates the RTE-6/VM EMA/VMA Firmware Self-Test failed. Refer to the Service Information paragraph of the FEM section of this manual (section II) for troubleshooting procedure.

HP 12823F F-SERIES ENHANCEMENT UPGRADE KIT

APPENDIX

A

A-1. DESCRIPTION

The HP 12823F F-Series Enhancement Upgrade Kit allows the customer to upgrade a F-Series Computer (2111F or 2117F) which was shipped with a serial prefix less than 1920 with the enhanced Base Set, enhanced FFP, and enhanced SIS ROMs. The 12823F product consists of the eighteen read-only-memory (ROM) integrated circuits (ICs) which are listed under the designation "New Part No." below.

BASE INSTRUCTION SET

<u>Description</u>	<u>New Part No.</u>	<u>Location</u>
8K ROM IC (bits 7-0)	02117-80016	A1U23
8K ROM IC (bits 15-8)	02117-80017	A1U43
8K ROM IC (bits 23-16)	02117-80018	A1U83
	VACANT	A1U21
	VACANT	A1U41
	VACANT	A1U81

SCIENTIFIC INSTRUCTION SET (SIS)

<u>Description</u>	<u>New Part No.</u>
8K ROM IC (bits 7-0)	5180-0141
8K ROM IC (bits 15-8)	5180-0142
8K ROM IC (bits 23-16)	5180-0143

FAST FORTRAN PROCESSOR (FFP)

<u>Description</u>	<u>New Part No.</u>
8K ROM IC (bits 7-0)	12823-80019
8K ROM IC (bits 15-8)	12823-80020
8K ROM IC (bits 23-16)	12823-80021

A-2. INSTALLATION

- For installation of the Base Instruction Set, refer to section XIII of this manual.
- For installation of the Scientific Instruction Set ROMs, refer to section VIII of this manual.
- For installation of the Fast FORTRAN Processor ROMs, refer to section VII of this manual.
- Perform the appropriate self-test and diagnostic to verify installation and functional operation of the firmware.



Product Line Sales / Support Key

Key Product Line
A Analytical
CM Components
C Computer Systems
CP Computer Systems Primary Service Responsible Office (SRO)
CS Computer Systems Secondary SRO
E Electronic Instruments & Measurement Systems
M Medical Products
MP Medical Products Primary SRO
MS Medical Products Secondary SRO
P Personal Computing Products
 * Sales only for specific product line
 ** Support only for specific product line

IMPORTANT: These symbols designate general product line capability. They do not insure sales or support availability for all products within a line, at all locations. Contact your local sales office for information regarding locations where HP support is available for specific products.

HP distributors are printed in italics.

ANGOLA

Telectra
Empresa Técnica de Equipamentos
Eléctricos, S.A.R.L.
R. Barbosa Rodrigues, 41-1 DT,
Caixa Postal 6487
LUANDA
Tel: 35515,35516
A,E,M,P*

ARGENTINA

Hewlett-Packard Argentina S.A.
 Avenida Santa Fe 2035
 Martinez 1640 BUENOS AIRES
 Tel: 798-5735, 792-1293
 Telex: 122443 AR CIGY
 Cable: HEWPACKARG
 A,E,CP,P

Biotron S.A.C.I.y.M
Avenida Paseo Colon 221
9 Piso
 1399 BUENOS AIRES
Tel: 30-4846, 30-1851, 30-8384
Telex: (33)17595 BIONAR
 Cable: BIOTRON Argentina
 M

Fale S.A. Electronica
Bartolomeu Mitre 833
 1036 BUENOS AIRES
Tel: 74-41011, 74-49277,
74-43459
Telex: 18137, 22754
 P

AUSTRALIA

Adelaide, South Australia
Pty. Ltd.
 Hewlett-Packard Australia Pty.Ltd.
 153 Greenhill Road
 PARKSIDE, S.A. 5063
 Tel: 272-5911
 Telex: 82536
 Cable: HEWPARD Adelaide
 A*,CM,CS,E,MS,P

Brisbane, Queensland
Office
 Hewlett-Packard Australia Pty.Ltd.
 5th Floor
 Teachers Union Building
 495-499 Boundary Street
 SPRING HILL, Queensland 4000
 Tel: 229-1544
 Telex: 42133
 Cable: HEWPARD Brisbane
 A,CM,CS,E,MS,P

Canberra, Australia Capital Office

Hewlett-Packard Australia Pty.Ltd.
 121 Wollongong Street
 Fyshwick, A.C.T. 2069
 Tel: 804244
 Telex: 62650
 Cable: HEWPARD Canberra
 A*,CM,CS,E,MS,P

Melbourne, Victoria Office

Hewlett-Packard Australia Pty.Ltd.
 31-41 Joseph Street
 BLACKBURN, Victoria 3130
 Tel: 89-6351
 Telex: 31-024
 Cable: HEWPARD Melbourne
 A,CM,CP,E,MS,P

Perth, Western Australia Office

Hewlett-Packard Australia Pty.Ltd.
 141 Stirling Highway
 NEDLANDS, W.A. 6009
 Tel: 386-5455
 Telex: 93859
 Cable: HEWPARD Perth
 A,CM,CS,E,MS,P

Sydney, New South Wales Office

Hewlett-Packard Australia Pty.Ltd.
 17-23 Talavera Road
 NORTH RYDE, N.S.W. 2113
 P.O. Box 308
 Tel: 887-1611
 Telex: 21561
 Cable: HEWPARD Sydney
 A,CM,CP,E,MS,P

AUSTRIA

Hewlett-Packard Ges.m.b.h.
 Grottenhofstrasse 94
 Verkaufsburo Graz
 8052 GRAZ
 Tel: 21-5-66
 Telex: 32375
 CM,C*,E*

Hewlett-Packard Ges.m.b.h.
 Wehlstrasse 29
 P.O. Box 7
 A-1205 VIENNA
 Tel: (222) 35-16-210
 Telex: 135823/135066
 A,CM,CP,E,MS,P

BAHRAIN

Green Salon
P.O. Box 557
BAHRAIN
Tel: 5503
Telex: 88419
 P

Wael Pharmacy
P.O. Box 648
BAHRAIN
Tel: 54886, 56123
Telex: 8550 WAEI GJ
 M

BELGIUM

Hewlett-Packard Belgium S.A./N.V.
 Blvd de la Woluwe, 100
 Woluwedal
 B-1200 BRUSSELS
 Tel: (02) 762-32-00
 Telex: 23-494 paloben bru
 A,CM,CP,E,MP,P

BRAZIL

Hewlett-Packard do Brasil I.e.C.
 Ltda
 Alameda Rio Negro, 750
 ALPHAVILLE 06400 Barueri SP
 Tel: 421-1311
 Telex: 011 23602 HPBR-BR
 Cable: HEWPACK Sao Paulo
 A,CM,CP,E,MS
 Hewlett-Packard do Brasil I.e.C.
 Ltda.
 Avenida Epitacio Pessoa, 4664
 22471 RIO DE JANEIRO-RJ
 Tel: 286-0237
 Telex: 021-21905 HPBR-BR
 Cable: HEWPACK Rio de Janeiro
 A,CM,E,MS,P*

BURUNDI

Typomeca S.P.R.L.
B.P. 553
BUJUMBURA
Tel: 2659
 P

CANADA

Alberta
 Hewlett-Packard (Canada) Ltd.
 210, 7220 Fisher Street S.E.
 CALGARY, Alberta T2H 2H8
 Tel: (403) 253-2713
 Telex: 610-821-6141
 A,CM,CP,E*,MS,P*

Hewlett-Packard (Canada) Ltd.
 11620A-168th Street
 EDMONTON, Alberta T5M 3T9
 Tel: (403) 452-3670
 Telex: 610-831-2431
 A,CM,CP,E,MS,P*

British Columbia

Hewlett-Packard (Canada) Ltd.
 10691 Shellbridge Way
 RICHMOND, British Columbia
 V6X 2W7
 Tel: (604) 270-2277
 Telex: 610-922-5059
 A,CM,CP,E*,MS,P*

Manitoba

Hewlett-Packard (Canada) Ltd.
 380-550 Century Street
 WINNIPEG, Manitoba R3H 0Y1
 Tel: (204) 786-6701
 A,CM,CS,E,MS,P*

Nova Scotia

Hewlett-Packard (Canada) Ltd.
 P.O. Box 931
 900 Windmill Road
 DARTMOUTH, Nova Scotia B2Y 3Z6
 Tel: (902) 469-7820
 Telex: 610-271-4482
 CM,CP,E*,MS,P*

Ontario

Hewlett-Packard (Canada) Ltd.
 552 Newbold Street
 LONDON, Ontario N6E 2S5
 Tel: (519) 686-9181
 Telex: 610-352-1201
 A,CM,CS,E*,MS,P*

Hewlett-Packard (Canada) Ltd.
 6877 Goreway Drive
 MISSISSAUGA, Ontario L4V 1M8
 Tel: (416) 678-9430
 Telex: 610-492-4246
 A,CM,CP,E,MP,P

Hewlett-Packard (Canada) Ltd.
 1020 Morrison Drive
 OTTAWA, Ontario K2H 8K7
 Tel: (613) 820-6483
 Telex: 610-563-1636
 A,CM,CP,E*,MS,P*

Quebec

Hewlett-Packard (Canada) Ltd.
 17500 South Service Road
 Trans-Canada Highway
 KIRKLAND, Quebec H9J 2M5
 Tel: (514) 697-4232
 Telex: 610-422-3022
 A,CM,CP,E,MP,P*

CHILE

Jorge Calcagni y Cia. Ltda.
Arturo Burtie 065
Casilla 16475
SANTIAGO 9
Tel: 220222
Telex: JCALCAGNI
 A,CM,E,M
Olympia (Chile) Ltd.
Rodrico de Araya 1045
Casilla 256-V
SANTIAGO 21
Tel: 25-50-44
Telex: 40-565
 C,P

COLOMBIA

Instrumentación
H. A. Langebaek & Kier S.A.
Apartado Aéreo 6287
BOGOTA 1, D.E.
Carrera 7 No. 48-75
BOGOTA, D.D.E.
Tel: 287-8877
Telex: 44400
 Cable: AARIS Bogota
 A,CM,E,M,P

COSTA RICA

Cientifica Costarricense S.A.
Avenida 2, Calle 5
San Pedro de Montes de Oca
Apartado 10159
SAN JOSE
Tel: 24-38-20, 24-08-19
Telex: 2367 GALGUR
 Cable: GALGUR
 CM,E,M

CYPRUS

Telexa Ltd.
P.O. Box 4809
14C Stassinios Avenue
NCOSIA
Tel: 45628
Telex: 2894
 E,M,P

CZECHOSLOVAKIA

Hewlett-Packard
Obchodni Zastupitelstvi v CSSR
Posl. schranka 27
CS-118 01 PRAHA 011
Tel: 66-296
Telex: 121353 IHC

DENMARK

Hewlett-Packard A/S
 Datavej 52
 DK-3460 BIRKEROD
 Tel: (02) 81-66-40
 Telex: 37409 hpas dk
 A,CM,CP,E,MS,P

Hewlett-Packard A/S
 Navervej 1
 DK-8600 SILKEBORG
 Tel: (06) 82-71-66
 Telex: 37409 hpas dk
 CM,CS,E

ECUADOR

CYEDE Cia. Ltda.
P.O. Box 6423 CCI
Avenida Eloy Alfaro 1749
QUITO
Tel: 450-975, 243-052
Telex: 2548 CYEDE ED
 Cable: CYEDE-Quito
 A,CM,E,P
Hospitalar S.A.
Casilla 3590
Robles 625
QUITO
Tel: 545-250, 545-122
 Cable: HOSPITALAR-Quito
 M

EGYPT

Samiro
Sami Amin Trading Office
18 Abdel Aziz Gawish
ABDINE-CAIRO
Tel: 24-932
 P
International Engineering Associates
24 Hussein Hegazi Street
Kasr-el-Aini
CAIRO
Tel: 23-829
Telex: 93830
 E,M
Informatic For Computer Systems
22 Talaat Harb Street
CAIRO
Tel: 759006
Telex: 93938 FRANK UN
 C

EL SALVADOR

IPESA
Boulevard de los Heroes
Edificio Sarah 1148
SAN SALVADOR
Tel: 252787
 A,C,CM,E,P

FINLAND

Hewlett-Packard Oy
 Revontulentie 7
 SF-02100 ESPOO 10
 Tel: (90) 455-0211
 Telex: 121563 hewpa sf
 A,CM,CP,E,MS,P

FRANCE

Hewlett-Packard France
 Le Ligoures
 Bureau de Vente de
 Aix-en-Provence
 Place Romée de Villeneuve
 F-13090 AIX-EN-PROVENCE
 Tel: (42) 59-41-02
 Telex: 410770F
 A,CM,CS,E,MS,P*



SALES & SUPPORT OFFICES

Arranged alphabetically by country

FRANCE (Cont.)

Hewlett-Packard France
Boite Postale No. 503
F-25026 BESANCON
28 Rue de la Republique
F-25000 BESANCON
Tel: (81) 83-16-22
C,M

Hewlett-Packard France
Bureau de Vente de Lyon
Chemin des Mouilles
Boite Postale No. 162
F-69130 ECULLY Cédex
Tel: (78) 33-81-25
Telex: 310617F
A,C,M,CP,E,MP

Hewlett-Packard France
Immeuble France Evry
Tour Lorraine
Boulevard de France
F-91035 EVRY Cédex
Tel: (60) 77-96-60
Telex: 692315F
C,M,E

Hewlett-Packard France
5th Avenue Raymond Chanas
F-38320 EYBENS
Tel: (76) 95-81-41
Telex: 980124 HP GRENOB EYBE
C,M,CS

Hewlett-Packard France
Bâtiment Ampère
Rue de la Commune de Paris
Boite Postale 300
F-93153 LE BLANC MESNIL
Tel: (01) 865-44-52
Telex: 211032F
C,M,CP,E,MS

Hewlett-Packard France
Le Montesquieu
Avenue du President JF Kennedy
F-33700 MERIGNAC
Tel: (56) 34-00-84
Telex: 550105F
C,M,CP,E,MS

Hewlett-Packard France
32 Rue Lothaire
F-57000 METZ
Tel: (87) 65-53-50
C,M,CS

Hewlett-Packard France
F-91947 Les Ulis CédexORSAY
Tel: (1) 907-78-25
Telex: 600048F
A,C,M,CP,E,MP,P

Hewlett-Packard France
Paris Porte-Maillot 13, 15 25
Boulevard De L'Amiral Bruix
F-75782 PARIS Cédex 16
Tel: (01) 502-12-20
Telex: 613663F
C,M,CP,MS,P

Hewlett-Packard France
2 Allée de la Bourgonette
F-35100 RENNES
Tel: (99) 51-42-44
Telex: 740912F
C,M,CS,E,MS,P*

Hewlett-Packard France
4 Rue Thomas Mann
Boite Postale 56
F-67200 STRASBOURG
Tel: (88) 28-56-46
Telex: 89014 1F
C,M,CS,E,MS,P*

Hewlett-Packard France
20 Chemin de la Cèpière
F-31081 TOULOUSE Cédex
Tel: (61) 40-11-12
Telex: 531639F
A,C,M,CS,E,P*

Hewlett-Packard France
Bureau de Vente de Lille
Immeuble Péricentre
Rue Van Gogh
F-59650 VILLENEUVE D'ASQ
Tel: (20) 91-41-25
Telex: 160124F
C,M,CS,E,MS,P*

GERMAN FEDERAL REPUBLIC

Hewlett-Packard GmbH
Technisches Büro Berlin
Keithstrasse 2-4
D-1000 BERLIN 30
Tel: (030) 24-90-86
Telex: 018 3405 hpbld d
A,C,M,CS,E,X,M,P

Hewlett-Packard GmbH
Technisches Büro Böblingen
Herrenberger Strasse 110
D-7030 BOBLINGEN
Tel: (07031) 667-1
Telex: 07265739 bbn or 07265743
A,C,M,CP,E,MP,P

Hewlett-Packard GmbH
Technisches Büro Dusseldorf
Emanuel-Leutze-Strasse 1
D-4000 DUSSELDORF
Tel: (0211) 5971-1
Telex: 085/86 533 hpdd d
A,C,M,CP,E,MS,P

Hewlett-Packard GmbH
Vertriebszentrale Frankfurt
Bernier Strasse 117
Postfach 560 140
D-6000 FRANKFURT 56
Tel: (0611) 50-04-1
Telex: 04 13249 hpfm d
A,C,M,CP,E,MP,P

Hewlett-Packard GmbH
Technisches Büro Hamburg
Kapstadtring 5
D-2000 HAMBURG 60
Tel: (040) 63804-1
Telex: 21 63 032 hphd d
A,C,M,CP,E,MS,P

Hewlett-Packard GmbH
Technisches Büro Hannover
Am Grossmarkt 6
D-3000 HANNOVER 91
Tel: (0511) 46-60-01
Telex: 092 3259
A,C,M,CS,E,MS,P

Hewlett-Packard GmbH
Technisches Büro Mannheim
Rosslauer Weg 2-4
D-6800 MANNHEIM
Tel: (621) 70050
Telex: 0462105
A,C,E

Hewlett-Packard GmbH
Technisches Büro Neu Ulm
Messerschmittstrasse 7
D-7910 NEU ULM
Tel:
Telex:
C,E

Hewlett-Packard GmbH
Technisches Büro Nürnberg
Neumeyerstrasse 90
D-8500 NÜRNBERG
Tel: (0911) 56-30-83
Telex: 0623 860
C,M,CS,E,MS,P

Hewlett-Packard GmbH
Technisches Büro München
Eschenstrasse 5
D-8021 TAUFKIRCHEN
Tel: (089) 6117-1
Telex: 0524985
A,C,M,CP,E,MS,P

GREAT BRITAIN

Hewlett-Packard Ltd.
Tratalgar House
Navigation Road
ALTRINCHAM
Cheshire WA14 1NU
Tel: (061) 928-6422
Telex: 668068
A,C,E,M

Hewlett-Packard Ltd.
Oakfield House, Oakfield Grove
Clifton
BRISTOL BS8 2BN
Tel: 36806
Telex: 444302
P

Hewlett-Packard Ltd.
14 Wesley Street
CASTLEFORD
Yorkshire WF10 1AE
Tel: (0977) 550016
Telex: 5557355
C

Hewlett-Packard Ltd.
Fourier House
257-263 High Street
LONDON COLNEY
Herts., AL2 1HA
Tel: (0727) 24400
Telex: 1-8952716
C,E

Hewlett-Packard Ltd
Tradax House, St. Mary's Walk
MAIDENHEAD
Berkshire, SL6 1ST
Tel: (0628) 39151
E,P

Hewlett-Packard Ltd.
308/314 Kings Road
READING, Berkshire
Tel: 61022
Telex: 84-80-68
C,M,P

Hewlett-Packard Ltd.
106-118 Station Road
REDHILL, Surrey
Tel: (0737) 68655
Telex: 947234 C,E

Hewlett-Packard Ltd.
Westminster House
190 Stratford Road
SHIRLEY, Solihull
West Midlands B90 3BJ
Tel: (021) 7458800
Telex: 339105
C

Hewlett-Packard Ltd.
King Street Lane
WINNERSH, Wokingham
Berkshire RG11 5AR
Tel: (0734) 784774
Telex: 847178
A,C,E,M

GREECE

Kostas Kataynnis
8 Omirou Street
ATHENS 133
Tel: 32-30-303, 32-37-371
Telex: 21 59 62 RKAR GR
E,M,P

"Plaiso"
G. Gerados
24 Stournara Street
ATHENS
Tel: 36-11-160
Telex: 21 9492
P

GUATEMALA

IPESA
Avenida Reforma 3-48
Zona 9
GUATEMALA CITY
Tel: 316627, 314786, 664715
Telex: 4192 Teletro Gu
A,C,CM,E,M,P

HONG KONG

Hewlett-Packard Hong Kong, Ltd.
G.P.O. Box 795
5th Floor, Sun Hung Kai Centre
30 Harbour Road
HONG KONG

HONG KONG
Tel: 5-8323211
Telex: 66678 HEWPA HX
Cable: HP ASIA LTD Hong Kong
E,CP,P
Schmidt & Co. (Hong Kong) Ltd.
Wing On Centre, 28th Floor
Connaught Road, C.
HONG KONG
Tel: 5-455644
Telex: 74766 SCHMX HX
A,M

ICELAND

Elding Trading Company Inc.
Hafnarvöli-Tryggvagötu
P.O. Box 895
IS-REYKJAVIK
Tel: 1-58-20, 1-63-03
M

INDIA

Blue Star Ltd.
Bhavdeep
Stadium Road
AHMEDABAD 380 014
Tel: 42932
Telex: 012-234
Cable: BLUEFROST
E

Blue Star Ltd.
11 Magarath Road
BANGALORE 560 025
Tel: 55668
Telex: 0845-430
Cable: BLUESTAR
A,C,M,C,E

Blue Star Ltd.
Band Box House
Prabhadevi
BOMBAY 400 025
Tel: 422-3101
Telex: 011-3751
Cable: BLUESTAR
A,M

Blue Star Ltd.
Sahas
414/2 Vir Savarkar Marg
Prabhadevi
BOMBAY 400 025
Tel: 422-6155
Telex: 011-4093
Cable: FROSTBLUE
A,C,M,C,E,M

Blue Star Ltd.
7 Hare Street
CALCUTTA 700 001
Tel: 12-01-31
Telex: 021-7655
Cable: BLUESTAR
A,M

Blue Star Ltd.
Meenakshi Mandiram
XXXXV/1379-2 M. G. Road
COCHIN 682-016
Tel: 32069
Telex: 085-514
Cable: BLUESTAR
A*

Blue Star Ltd.
133 Kodambakkam High Road
MADRAS 600 034
Tel: 82057
Telex: 041-379
Cable: BLUESTAR
A,M

Blue Star Ltd.
Bhandari House, 7th/8th Floors
91 Nehru Place
NEW DELHI 110 024
Tel: 682547
Telex: 031-2463
Cable: BLUESTAR
A,C,M,C,E,M

Blue Star Ltd.
1-1-117/1 Sarojini Devi Road
SECUNDERABAD 500 033
Tel: 70126
Telex: 0155-459
Cable: BLUEFROST
A,E

Blue Star Ltd.
T.C. 7/603 Poornima
Maruthankuzhi
TRIVANDRUM 695 013
Tel: 65799
Telex: 0884-259
Cable: BLUESTAR
E

INDONESIA

BERCA Indonesia P.T.
P.O. Box 496/Jkt.
Jin. Abdul Mus 62
JAKARTA
Tel: 373009
Telex: 31146 BERSAL IA
Cable: BERSAL JAKARTA
A,C,E,M,P
BERCA Indonesia P.T.
P.O. Box 174/Sby.
J.L. Kutei No. 11
SUBABE-SURABAYA
Tel: 68172
Telex: 31146 BERSAL SD
Cable: BERSAL-SURABAYA
A*,E,M,P

IRAQ

Hewlett-Packard Trading S.A.
Mansoor City 9B/3/7
BAGHDAD
Tel: 551-49-73
Telex: 2455 HEPAIRAQ IK
CP

IRELAND

Hewlett-Packard Ireland Ltd.
Kestrel House
Clanwilliam Court
Lower Mount Street
DUBLIN 2, Eire
Tel: 680424, 680426
Telex: 30439
A,C,CM,E,M,P
Cardiac Services Ltd.
Kilmore Road
Artane
DUBLIN 5, Eire
Tel: (01) 351820
Telex: 30439
M

**ISRAEL**

Electronics Engineering Division
Motorola Israel Ltd.
16 Kremenetski Street
P.O. Box 25016
TEL-AMIV 67899
Tel: 338973
Telex: 33569 Motil IL
Cable: BASTEL Tel-Aviv
A,CM,C,E,M,P

ITALY

Hewlett-Packard Italiana S.p.A.
Traversa 99C
Giulio Petrone, 19
I-70124 BARI
Tel: (080) 41-07-44
M

Hewlett-Packard Italiana S.p.A.
Via Martin Luther King, 38/111
I-40132 BOLOGNA
Tel: (051) 402394
Telex: 511630
CM,CS,E,MS

Hewlett-Packard Italiana S.p.A.
Via Principe Nicola 43G/C
I-95126 CATANIA
Tel: (095) 37-10-87
Telex: 970291
C,P

Hewlett-Packard Italiana S.p.A.
Via G. Di Vittorio 9
I-20063 CERNUSCO SUL NAVIGLIO
Tel: (2) 903691
Telex: 334632
A,CM,CP,E,MP,P

Hewlett-Packard Italiana S.p.A.
Via Nuova san Rocco A
Capodimonte, 62/A
I-80131 NAPOLI
Tel: (081) 7413544
A,CM,CS,E

Hewlett-Packard Italiana S.p.A.
Viale G. Modugno 33
I-16156 GENOVA PEGLI
Tel: (010) 68-37-07 E.C

Hewlett-Packard Italiana S.p.A.
Via Turazza 14
I-35100 PADOVA
Tel: (49) 664888
Telex: 430315
A,CM,CS,E,MS

Hewlett-Packard Italiana S.p.A.
Viale C. Pavese 340
I-00144 ROMA
Tel: (06) 54831
Telex: 610514
A,CM,CS,E,MS,P*

Hewlett-Packard Italiana S.p.A.
Corso Giovanni Lanza 94
I-10133 TORINO
Tel: (011) 682245, 659308
Telex: 221079
CM,CS,E

JAPAN

Yokogawa-Hewlett-Packard Ltd.
Inoue Building
1348-3, Asahi-cho
ATSUGI, Kanagawa 243
Tel: (0462) 24-0451
CM,C*,E

Yokogawa-Hewlett-Packard Ltd.
3-30-18 Tsuruya-cho
Kanagawa-ku, Yokohama-Shi
KANAGAWA, 221
Tel: (045) 312-1252
Telex: 382-3204 YHP YOK
CM,CS,E

Yokogawa-Hewlett-Packard Ltd.
Sannomiya-Daiichi Seimei-Bldg. 5F
69 Kyo-Machi Ikuta-Ku
KOBE CITY 650 Japan
Tel: (078) 392-4791
C,E

Yokogawa-Hewlett-Packard Ltd.
Kumagaya Asahi Yasoji Bldg 4F
4-3 Chome Tsukuba
KUMAGAYA, Saitama 360
Tel: (0485) 24-6563
CM,CS,E

Yokogawa-Hewlett-Packard Ltd.
Mito Mitsui Building
4-73, San-no-maru, 1-chome
MITO, Ibaragi 310
Tel: (0292) 25-7470
CM,CS,E

Yokogawa-Hewlett-Packard Ltd.
Sumitomo Seimei Bldg.
11-2 Shimo-sasajima-cho
Nakamura-ku
NAGOYA, Aichi 450
Tel: (052) 581-1850
CM,CS,E,MS

Yokogawa-Hewlett-Packard Ltd.
Chuo Bldg., 4th Floor
5-4-20 Nishinakajima, 5-chome
Yodogawa-ku, Osaka-shi
OSAKA, 532
Tel: (06) 304-6021
Telex: YHPOSA 523-3624
A,CM,CP,E,MP,P*

Yokogawa-Hewlett-Packard Ltd.
29-21 Takaido-Higashi 3-chome
Suginami-ku TOKYO 168
Tel: (03) 331-6111
Telex: 232-2024 YHPTOK
A,CM,CP,E,MP,P*

JORDAN

Mouasher Cousins Company
P.O. Box 1387
AMMAN
Tel: 24907, 39907
Telex: 21456 SABCO JO
E,M,P

KOREA

Samsung Electronics
4759 Shinkil, 6 Dong
Youngdeungpo-Ku,
SEOUL
Tel: 8334311, 8334312
Telex: SAMSAN 27364
A,C,E,M,P

KUWAIT

Al-Khalidya Trading & Contracting
P.O. Box 830 Safat
KUWAIT
Tel: 42-4910, 41-1726
Telex: 2481 Areeg kt
A,E,M
Photo & Cine Equipment
P.O. Box 270 Safat
KUWAIT
Tel: 42-2846, 42-3801
Telex: 2247 Matin
P

LUXEMBOURG

Hewlett-Packard Belgium S.A./N.V.
Blvd de la Woluwe, 100
Woluwedal
B-1200 BRUSSELS
Tel: (02) 762-32-00
Telex: 23-494 paloben bru
A,CM,CP,E,MP,P

MALAYSIA

Hewlett-Packard Sales (Malaysia)
Sdn. Bhd.
Suite 2.21/2.22
Bangunan Angkasa Raya
Jalan Ampang
KUALA LUMPUR
Tel: 483544
Telex: MA31011
A,CP,E,M,P*
Protel Engineering
Lot 319, Satok Rd.
P.O. Box 1917
KUCHING, SARAWAK
Tel: 535-44
Telex: MA 70904 Promal
Cable: Proteleng
A,E,M

MEXICO

Hewlett-Packard Mexicana, S.A. de
C.V.
Avenida Periferico Sur No. 6501
Tepepan, Xochimilco
MEXICO CITY 23, D.F.
Tel: (905) 676-4600
Telex: 017-74-507
A,CP,E,MS,P
Hewlett-Packard Mexicana, S.A. de
C.V.
Rio Volga 600
Colonia del Valle
MONTERREY, N.L.
Tel: 78-42-93, 78-42-40, 78-42-41
Telex: 038-410
CS

MOROCCO

Dolbeau
81 rue Karatchi
CASABLANCA
Tel: 3041-82, 3068-38
Telex: 23051, 22822
E
Gerep
2 rue d'Agadir
Boite Postale 156
CASABLANCA
Tel: 272093, 272095
Telex: 23 739
P

NETHERLANDS

Hewlett-Packard Nederland B.V.
Van Heuven Goedhartlaan 121
NL 1181KK AMSTELVEEN
P.O. Box 667
NL 1080 AR AMSTELVEEN
Tel: (20) 47-20-21
Telex: 13 216
A,CM,CP,E,MP,P
Hewlett-Packard Nederland B.V.
Bongerd 2
NL 2906VK CAPPELLE, A/D IJssel
P.O. Box 41
NL 2900 AA CAPELLE, IJssel
Tel: (10) 51-64-44
Telex: 21261 HEPAC NL
A,CM,CP

NEW ZEALAND

Hewlett-Packard (N.Z.) Ltd.
169 Manukau Road
P.O. Box 26-189
Epsom, AUCKLAND
Tel: 68-7159
Cable: HEWPACK Auckland
CM,CS,E,P*

Hewlett-Packard (N.Z.) Ltd.
4-12 Cruickshank Street
P.O. Box 9443
Kilbirnie, WELLINGTON 3
Tel: 877-199
Cable: HEWPACK Wellington
CM,CP,E,P
Northrop Instruments & Systems
Ltd.
Eden House, 44 Khyber Pass Road
P.O. Box 9682
Newmarket, AUCKLAND
Tel: 794-091
A,M
Northrop Instruments & Systems
Ltd.
Terrace House, 4 Oxford Terrace
P.O. Box 8388
CHRISTCHURCH
Tel: 64-165
A,M
Northrop Instruments & Systems
Ltd.
Sturdee House
85-87 Ghuznee Street
P.O. Box 2406
WELLINGTON
Tel: 850-091
Telex: NZ 3380
A,M

NIGERIA

The Electronics Instrumentations
Ltd.
NGB/S70 Oyo Road
Okuseun House
P.M.B. 5402
IBADAN
Tel: 461577
Telex: 31231 TEIL NG
A,E,M,P
The Electronics Instrumentations
Ltd.
144 Agege Motor Road, Mushin
P.O. Box 6645
Mushin, LAGOS
A,E,M,P

NORTHERN IRELAND

Cardiac Services Company
95A Finaghy Road South
BELFAST BT 10 OBY
Tel: (0232) 625-566
Telex: 747626
M

NORWAY

Hewlett-Packard Norge A/S
Folke Bernadottesvei 50
P.O. Box 3558
N-5033 FYLLINGSDALEN (BERGEN)
Tel: (05) 16-55-40
Telex: 16621 hpnas n
CM,CS,E
Hewlett-Packard Norge A/S
Oesterdalen 18
P.O. Box 34
N-1345 OESTERAAS
Tel: (02) 17-11-80
Telex: 16621 hpnas n
A*,CM,CP,E,MS,P

OMAN

Khimi Ramdas
P.O. Box 19
MUSCAT
Tel: 72-22-17, 72-22-25
Telex: 3289 BROKER MB MUSCAT
P

PAKISTAN

Mushko & Company Ltd.
10, Bazar Road
Sector G-6/4
ISLAMABAD
Tel: 28624
Cable: FEMUS Rawalpindi
A,E,M
Mushko & Company Ltd.
Osman Chambers
Abdullah Haroon Road
KARACHI 0302
Tel: 511027, 512927
Telex: 2894 MUSHKO PW
Cable: COOPERATOR Karachi
A,E,M,P*

PANAMA

Electrónico Balboa, S.A.
Apartado 4929
Panama 5
Calle Samuel Lewis
Edificio "Alfa" No. 2
CIUDAD DE PANAMA
Tel: 64-2700
Telex: 3480380
Cable: ELECTRON Panama
A,CM,E,M,P
Foto Internacional, S.A.
P.O. Box 2068
Free Zone of Colon
COLON 3
Tel: 45-2333
Telex: 3485126
Cable: IMPORT COLON/Panama
P

PERU

Cómpania Electro Médica S.A.
Los Flamencos 145, San Isidro
Casilla 1030
LIMA 1
Tel: 41-4325
Telex: Pub. Booth 25424 SISIDRO
Cable: ELMED Lima
A,CM,E,M,P

PHILIPPINES

The Online Advanced Systems
Corporation
Rico House, Amorsolo Cor. Herrera
Street
Legaspi Village, Makati
P.O. Box 1510
Metro MANILA
Tel: 85-35-81, 85-34-91, 85-32-21
Telex: 3274 ONLINE
A,C,E,M
Electronic Specialists and
Proponents Inc.
690-B Epitanio de los Santos
Avenue
Cubao, QUEZON CITY
P.O. Box 2649 Manila
Tel: 98-96-81, 98-96-82, 98-96-83
Telex: 742-40287
P

POLAND

Buro Informacji Technicznej
Hewlett-Packard
Ul Stawki 2, 6P
PL00-950 WARSZAWA
Tel: 39-59-62, 39-67-43
Telex: 812453 hepa pl



SALES & SUPPORT OFFICES

Arranged alphabetically by country

PORTUGAL

Telectra-Empresa Técnica de Equipamentos Eléctricos S.a.r.l.
Rua Rodrigo da Fonseca 103
P.O. Box 2531
P-LISBON 1
Tel: (19) 68-60-72
Telex: 12598
A,C,E,P

Mundinter

Intercambio Mundial de Comércio S.a.r.l.
P.O. Box 2761
Avenida Antonio Augusto de Aguiar 138
P-LISBON
Tel: (19) 53-21-31, 53-21-37
Telex: 16891 munter p
M

PUERTO RICO

Hewlett-Packard Puerto Rico
P.O. Box 4407
CAROLINA, Puerto Rico 00630
Calle 272 Edificio 203
Urb. Country Club
RIO PIEDRAS, Puerto Rico 00924
Tel: (809) 762-7255
Telex: 345 0514
A,CP

QATAR

Nasser Trading & Contracting
P.O. Box 1563
DOHA
Tel: 22170
Telex: 4439 NASSER
M

Scitecharabia
P.O. Box 2750
!DOHA
Tel: 329515
Telex: 4806 CMPARB
P

ROMANIA

Hewlett-Packard Reprezentantia
Boulevard Nicolae Balcescu 16
BUCURESTI
Tel: 130725
Telex: 10440

SAUDI ARABIA

Modern Electronic Establishment
P.O. Box 193
AL-KHOBAR
Tel: 44-678, 44-813
Telex: 670136
Cable: ELECTA AL-KHOBAR
C,E,M,P

Modern Electronic Establishment
P.O. Box 1228, Baghdadiah Street
JEDDAH
Tel: 27-798
Telex: 401035
Cable: ELECTA JEDDAH
C,E,M,P

Modern Electronic Establishment
P.O. Box 2728
RIYADH
Tel: 62-596, 66-232
Telex: 202049
C,E,M,P

SCOTLAND

Hewlett-Packard Ltd.
Royal Bank Buildings
Swan Street
BRECHIN, Angus, Scotland
Tel: 3101, 3102
CM,CS

Hewlett-Packard Ltd.
SOUTH QUEENSFERRY
West Lothian, EH30 9TG
GB-Scotland
Tel: (031) 3311000
Telex: 72682
A,CM,E,M

SINGAPORE

Hewlett-Packard Singapore (Pty.) Ltd.
P.O. Box 58 Alexandra Post Office
SINGAPORE, 9115
6th Floor, Inchcape House
450-452 Alexandra Road
SINGAPORE 0511
Tel: 631788
Telex: HPSGSO RS 34209
Cable: HEWPACK, Singapore
A,CP,E,MS,P

SOUTH AFRICA

Hewlett-Packard South Africa (Pty.) Ltd.
P.O. Box 120
Howard Place
Pine Park Center, Forest Drive,
Pinelands
CAPE PROVINCE 7450
Tel: 53-7955, 53-7956, 53-7957
Telex: 57-0006
A,CM,CS,E,MS,P

Hewlett-Packard South Africa (Pty.) Ltd.
P.O. Box 37066
Overport
DURBAN 4067
Tel: 28-4178, 28-4179, 28-4110
CM,CS

Hewlett-Packard South Africa (Pty.) Ltd.
P.O. Box 33345
Glenstantia 0010 TRANSVAAL
1st Floor East
Constantia Park Ridge Shopping
Centre
Constantia Park
PRETORIA Tel: 98-1126 or 98-1220
Telex: 32163
C,E

Hewlett-Packard South Africa (Pty.) Ltd.
Daphny Street
Private Bag Wendywood
SANDTON 2144
Tel: 802-5111, 802-5125
Telex: 89-84782
Cable: HEWPACK Johannesburg
A,CM,CP,E,MS,P

SPAIN

Hewlett-Packard Española S.A.
c/Enlaza, 321
E-BARCELONA 29
Tel: (3) 322-24-51, 321-73-54
Telex: 52603 hpbce
A,CM,CP,E,MS,P
Hewlett-Packard Española S.A.
c/San Vicente S/N
Edificio Albia II, 7 B
E-BILBAO 1
Tel: (944) 423-8306, 423-8206
A,CM,E,MS

Hewlett-Packard Española S.A.
Calle Jerez 3
E-MADRID 16
Tel: 458-2600
Telex: 23515 hpe
A,CM,E,MP,P

Hewlett-Packard Española S.A.
Colonia Mirasierra
Edificio Juban
c/o Costa Brava 13, 2.
E-MADRID 34
Tel: 734-8061, 734-1162
CM,CP

Hewlett-Packard Española S.A.
Av Ramón y Cajal 1-9
Edificio Sevilla 1,
E-SEVILLA 5
Tel: 64-44-54, 64-44-58
Telex: 72933
A,CM,CS,MS,P

Hewlett-Packard Española S.A.
C/Ramon Gordillo, 1 (Entlo.3)
E-VALENCIA 10
Tel: 361-1354, 361-1358
CM,CS,P

SWEDEN

Hewlett-Packard Sverige AB
Enighetsvägen 3, Fack
P.O. Box 20502
S-16120 BROMMA
Tel: (08) 730-0550
Telex: (854) 10721 MESSAGES
Cable: MEASUREMENTS
STOCKHOLM
A,CM,CP,E,MS,P

Hewlett-Packard Sverige AB
Sunnanvägen 14K
S-22226 LUND
Tel: (46) 13-69-79
Telex: (854) 10721 (via BROMMA office)
CM,CS

Hewlett-Packard Sverige AB
Västtra Vintergatan 9
S-70344 OREBRO
Tel: (19) 10-48-80
Telex: (854) 10721 (via BROMMA office)
CM,CS

Hewlett-Packard Sverige AB
Frtilisgatan 30
S-42132 VÄSTRA-FRÖLUNDA
Tel: (031) 49-09-50
Telex: (854) 10721 (via BROMMA office)
CM,CS,E,P

SWITZERLAND

Hewlett-Packard (Schweiz) AG
Clarastrasse 12
CH-4058 BASLE
Tel: (61) 33-59-20
A,CM
Hewlett-Packard (Schweiz) AG
47 Avenue Blanc
CH-1202 GENEVA
Tel: (022) 32-30-05, 32-48-00
CM,CP

Hewlett-Packard (Schweiz) AG
29 Chemin Château Bloc
CH-1219 LE LIGNON-Geneva
Tel: (022) 96-03-22
Telex: 27333 hpag ch
Cable: HEWPACKAG Geneva
A,CM,E,MS,P

Hewlett-Packard (Schweiz) AG
Zürcherstrasse 20
Allmend 2
CH-8967 WIDEN
Tel: (57) 50-111
Telex: 59933 hpag ch
Cable: HPAG CH
A,CM,CP,E,MS,P

SYRIA

General Electronic Inc.
Nuri Basha-Ahnat Ebn Kays Street
P.O. Box 5781
DAMASCUS
Tel: 33-24-87
Telex: 11215 ITIKAL
Cable: ELECTROBOR DAMASCUS E

Sawah & Co.

Place Azmé
Boite Postale 2308
DAMASCUS
Tel: 16-367, 19-697, 14-268
Telex: 11304 SATACO SY
Cable: SAWAH, DAMASCUS M

TAIWAN

Hewlett-Packard Far East Ltd.
Kaohsiung Branch
68-2, Chung Cheng 3rd Road
Shin Shin, Chu
KAOSHIUNG
Tel: (08) 730-0550
CS,E,MS,P

Hewlett-Packard Far East Ltd.
Taiwan Branch
5th Floor
205 Tun Hwa North Road
TAIPEI
Tel: (02) 751-0404
Cable: HEWPACK Taipei
A,CP,E,MS,P

Hewlett-Packard Far East Ltd.
Taichung Branch
#33, Cheng Yih Street
10th Floor, Room 5
TAICHUNG
Tel: 289274

Ing Lih Trading Co.
3rd Floor 18, Po-la Road
TAIPEI
Tel:
Cable: INGLIH TAIPEI A

THAILAND

UNIMESA Co. Ltd.
Elcom Research Building
2538 Sukhumvit Ave.
Bangchak, BANGKOK
Tel: 393-2387, 393-0338
Telex: TH81160, 82938, 81038
Cable: UNIMESA Bangkok
A,C,E,M

Bangkok Business Equipment Ltd.
5/5-6 Dejo Road
BANGKOK
Tel: 234-8670, 234-8671,
234-8672
Cable: BUSIQUPT Bangkok P

TRINIDAD & TOBAGO

Caribbean Telecoms Ltd.
P.O. Box 732
50/A Jerningham Avenue
PORT-OF-SPAIN
Tel: 624-4213, 624-4214
A,CM,E,M,P

TUNISIA

Tunisie Electronique
31 Avenue de la Liberté
TUNIS
Tel: 280-144
E,P

Corema
1 ter. Av. de Carthage
TUNIS
Tel: 253-821
Telex: 12319 CABAM TN M

TURKEY

Tekrim Company Ltd.
Riza Sah Pehievi
Caddesi No. 7
Kavaklidere, ANKARA
Tel: 275800
Telex: 42155
E

EMA, Muhendislik Kolektif Sirketi
Medina Eldem
Sokak 41/6
Yüksel Caddesi, ANKARA
Tel: 17-56-22
Cable: Ematrade
M

UNITED ARAB EMIRATES

Emilat Ltd.
P.O. Box 1641
SHARJAH
Tel: 354121, 354123
Telex: 68136
E,M,P,C

UNITED KINGDOM

see: GREAT BRITAIN
NORTHERN IRELAND
SCOTLAND

UNITED STATES

Alabama
Hewlett-Packard Co.
700 Century Park South
Suite 128
BIRMINGHAM, AL 35226
Tel: (205) 822-6802
CM,CS,MP

Hewlett-Packard Co.
P.O. Box 4207
8290 Whitesburg Drive, S.E.
HUNTSVILLE, AL 35802
Tel: (205) 881-4591
CM,CP,E,M*

Alaska
Hewlett-Packard Co.
1577 "C" Street, Suite 252
ANCHORAGE, AK 99510
Tel: (206) 454-3971
CM,CS**

Arizona
Hewlett-Packard Co.
2336 East Magnolia Street
PHOENIX, AZ 85034
Tel: (602) 273-8000
A,CM,CP,E,MS

Hewlett-Packard Co.
2424 East Aragon Road
TUCSON, AZ 85702
Tel: (602) 889-4631
CM,CS,E,MS**

Arkansas
Hewlett-Packard Co.
P.O. Box 5646
Brady Station
LITTLE ROCK, AR 72215
Tel: (501) 376-1844, (501)
664-8773
CM,MS



UNITED STATES (Cont.)

California

Hewlett-Packard Co.
7621 Canoga Avenue
CANOGA PARK, CA 91304
Tel: (213) 702-8300
A,CM,CP,E,P

Hewlett-Packard Co.
1579 W. Shaw Avenue
FRESNO, CA 93771
Tel: (209) 224-0582
CM,MS

Hewlett-Packard Co.
1430 East Orangethorpe
FULLERTON, CA 92631
Tel: (714) 870-1000
CM,CP,E,MP

Hewlett-Packard Co.
5400 W. Rosecrans Boulevard
LAWDALE, CA 90260
P.O. Box 92105
LOS ANGELES, CA 90009
Tel: (213) 970-7500
CM,CP,MP

Hewlett-Packard Co.
3939 Lankershim Blvd.
NORTH HOLLYWOOD, CA 91604
Tel: (213) 877-1282
Regional Headquarters

Hewlett-Packard Co.
3200 Hillview Avenue
PALO ALTO, CA 94304
Tel: (415) 857-8000
CM,CP,E

Hewlett-Packard Co.
646 W. North Market Boulevard
SACRAMENTO, CA 95834
Tel: (916) 929-7222
A*,CM,CP,E,MS

Hewlett-Packard Co.
9606 Aero Drive
P.O. Box 23333
SAN DIEGO, CA 92123
Tel: (714) 279-3200
CM,CP,E,MP

Hewlett-Packard Co.
3003 Scott Boulevard
SANTA CLARA, CA 95050
Tel: (408) 988-7000
A,CM,CP,E,MP

Hewlett-Packard Co.
454 Carlton Court
SO. SAN FRANCISCO, CA 94080
Tel: (415) 877-0772
CM,CP

Colorado
Hewlett-Packard Co.
24 Inverness Place, East
ENGLEWOOD, CO 80112
Tel: (303) 771-3455
A,CM,CP,E,MS

Connecticut
Hewlett-Packard Co.
47 Barnes Industrial Road South
P.O. Box 5007
WALLINGFORD, CT 06492
Tel: (203) 265-7801
A,CM,CP,E,MS

Florida
Hewlett-Packard Co.
P.O. Box 24210
2727 N.W. 62nd Street
FORT LAUDERDALE, FL 33309
Tel: (305) 973-2600
CM,CP,E,MP

Hewlett-Packard Co.
4080 Woodcock Drive, #132
Brownett Building
JACKSONVILLE, FL 32207
Tel: (904) 398-0663
CM,C*,E*,MS**

Hewlett-Packard Co.
P.O. Box 13910
6177 Lake Ellenor Drive
ORLANDO, FL 32809
Tel: (305) 859-2900
A,CM,CP,E,MS

Hewlett-Packard Co.
6425 N. Pensacola Blvd.
Suite 4, Building 1
PENSACOLA, FL 32575
Tel: (904) 476-8422
A,CM,MS

Hewlett-Packard Co.
110 South Hoover, Suite 120
Vanguard Bldg.
TAMPA, FL 33609
Tel: (813) 872-0900
A*,CM,CS,E*,M*

Georgia
Hewlett-Packard Co.
P.O. Box 105005
2000 South Park Place
ATLANTA, GA 30339
Tel: (404) 955-1500
Telex: 810-766-4890
A,CM,CP,E,MP

Hewlett-Packard Co.
Executive Park Suite 306
P.O. Box 816
AUGUSTA, GA 30907
Tel: (404) 736-0592
CM,MS

Hewlett-Packard Co.
P.O. Box 2103
1172 N. Davis Drive
WARNER ROBINS, GA 31098
Tel: (912) 922-0449
CM,E

Hawaii
Hewlett-Packard Co.
Kawaihahoa Plaza, Suite 190
567 South King Street
HONOLULU, HI 96813
Tel: (808) 526-1555
A,CM,CS,E,MS

Idaho
Hewlett-Packard Co.
11311 Chinden Boulevard
BOISE, ID 83707
Tel: (208) 376-6000
CM,CS,M*

Illinois
Hewlett-Packard Co.
211 Prospect Road
BLOOMINGTON, IL 61701
Tel: (309) 663-0383
CM,CS,MS**

Hewlett-Packard Co.
1100 31st Street
DOWNERS GROVE, IL 60515
Tel: (312) 960-5760
CM,CP

Hewlett-Packard Co.
5201 Tollview Drive
ROLLING MEADOWS, IL 60008
Tel: (312) 255-9800
A,CM,CP,E,MP

Indiana
Hewlett-Packard Co.
P.O. Box 50807
7301 No. Shadeland Avenue
INDIANAPOLIS, IN 46250
Tel: (317) 842-1000
A,CM,CS,E,MS

Iowa
Hewlett-Packard Co.
2415 Heinz Road
IOWA CITY, IA 52240
Tel: (319) 351-1020
CM,CS,E*,MS

Kansas
Hewlett-Packard Co.
1644 S. Rock
WICHITA, KA 67207
Tel: (316) 265-5200
CM,CS

Kentucky
Hewlett-Packard Co.
10170 Linn Station Road
Suite 525
LOUISVILLE, KY 40223
Tel: (502) 426-0100
A,CM,CS,MS

Louisiana
Hewlett-Packard Co.
P.O. Box 1449
3229 Williams Boulevard
KENNER, LA 70062
Tel: (504) 443-6201
A,CM,CS,E,MS

Maryland
Hewlett-Packard Co.
7121 Standard Drive
HANOVER, MD 21076
Tel: (301) 796-7700
A,CM,CP,E,MS

Hewlett-Packard Co.
2 Choke Cherry Road
ROCKVILLE, MD 20850
Tel: (301) 948-6370
Telex: 710-828-9685
A,CM,CP,E,MP

Massachusetts
Hewlett-Packard Co.
32 Hartwell Avenue
LEXINGTON, MA 02173
Tel: (617) 861-8960
A,CM,CP,E,MP

Michigan
Hewlett-Packard Co.
23855 Research Drive
FARMINGTON HILLS, MI 48024
Tel: (313) 476-6400
A,CM,CP,E,MP

Hewlett-Packard Co.
4326 Cascade Road S.E.
GRAND RAPIDS, MI 49506
Tel: (616) 957-1970
CM,CS,MS

Minnesota
Hewlett-Packard Co.
2025 W. Larpenteur Ave.
ST. PAUL, MN 55113
Tel: (612) 644-1100
A,CM,CP,E,MP

Mississippi
Hewlett-Packard Co.
P.O. Box 5028
322 N. Mart Plaza
JACKSON, MS 39216
Tel: (601) 982-9363
CM,MS

Missouri
Hewlett-Packard Co.
11131 Colorado Avenue
KANSAS CITY, MO 64137
Tel: (816) 763-8000
Telex: 910-77-1-2087
A,CM,CS,E,MS

Hewlett-Packard Co.
1024 Executive Parkway
ST. LOUIS, MO 63141
Tel: (314) 878-0200
A,CM,CP,E,MP

Nebraska
Hewlett-Packard
7101 Mercy Road
Suite 101, IBX Building
OMAHA, NE 68106
Tel: (402) 392-0948
CM,MS

Nevada
Hewlett-Packard Co.
Suite D-130
5030 Paradise Blvd.
LAS VEGAS, NV 89119
Tel: (702) 736-6610
CM,MS**

New Jersey
Hewlett-Packard Co.
Crystal Brook Professional Building
Route 35
EATONTOWN, NJ 07724
Tel: (201) 542-1384
A*,CM,C*,E*,P*

Hewlett-Packard Co.
W120 Century Road
PARAMUS, NJ 07652
Tel: (201) 265-5000
A,CM,CP,E,MP

Hewlett-Packard Co.
60 New England Avenue West
PISCATAWAY, NJ 08854
Tel: (201) 981-1199
A,CM,CP,E

New Mexico
Hewlett-Packard Co.
P.O. Box 11634
11300 Lomas Blvd., N.E.
ALBUQUERQUE, NM 87123
Tel: (505) 292-1330
Telex: 910-989-1185
CM,CP,E,MS

New York
Hewlett-Packard Co.
5 Computer Drive South
ALBANY, NY 12205
Tel: (518) 458-1550
Telex: 710-444-4691
A,CM,CS,E,MS

Hewlett-Packard Co.
9600 Main Street
CLARENCE, NY 14031
Tel: (716) 759-8621
Telex: 710-523-1893

Hewlett-Packard Co.
200 Cross Keys Office
FAIRPORT, NY 14450
Tel: (716) 223-9950
Telex: 510-253-0092
CM,CP,E,MS

Hewlett-Packard Co.
No. 1 Pennsylvania Plaza
55th Floor
34th Street & 8th Avenue
NEW YORK, NY 10119
Tel: (212) 971-0800
CM,CP,E*,M*

Hewlett-Packard Co.
5858 East Molloy Road
SYRACUSE, NY 13211
Tel: (315) 455-2486
A,CM,CS,E,MS

Hewlett-Packard Co.
3 Crossways Park West
WOODBURY, NY 11797
Tel: (516) 921-0300
Telex: 510-221-2183
A,CM,CP,E,MS

North Carolina
Hewlett-Packard Co.
P.O. Box 15579
2905 Guess Road (27705)
DURHAM, NC 27704
Tel: (919) 471-8466
C,M

Hewlett-Packard Co.
5605 Roanne Way
GREENSBORO, NC 27409
Tel: (919) 852-1800
A,CM,CP,E,MS

Ohio
Hewlett-Packard Co.
9920 Carver Road
CINCINNATI, OH 45242
Tel: (513) 891-9870
CM,CP,MS

Hewlett-Packard Co.
16500 Sprague Road
CLEVELAND, OH 44130
Tel: (216) 243-7300
Telex: 810-423-9430
A,CM,CP,E,MS

Hewlett-Packard Co.
962 Crupper Ave.
COLUMBUS, OH 43229
Tel: (614) 436-1041
CM,CP,E*

Hewlett-Packard Co.
330 Progress Rd.
DAYTON, OH 45449
Tel: (513) 859-8202
A,CM,CP,E*,MS

Oklahoma
Hewlett-Packard Co.
P.O. Box 366
1503 W. Gore Blvd., Suite #2
LAWTON, OK 73502
Tel: (405) 248-4248
C

Hewlett-Packard Co.
P.O. Box 32008
304 N. Meridian Avenue, Suite A
OKLAHOMA CITY, OK 73107
Tel: (405) 946-9499
A*,CM,CP,E*,MS

Hewlett-Packard Co.
Suite 121
9920 E. 42nd Street
TULSA, OK 74145
Tel: (918) 665-3300
A**,CM,CS,M*

Oregon
Hewlett-Packard Co.
1500 Valley River Drive, Suite 330
EUGENE, OR 97401
Tel: (503) 683-8075
C

Hewlett-Packard Co.
9255 S. W. Pioneer Court
WILSONVILLE, OR 97070
Tel: (503) 682-8000
A,CM,CP,E*,MS

Pennsylvania
Hewlett-Packard Co.
1021 8th Avenue
King of Prussia Industrial Park
KING OF PRUSSIA, PA 19406
Tel: (215) 265-7000
Telex: 510-660-2670
A,CM,CP,E,MP

Hewlett-Packard Co.
111 Zeta Drive
PITTSBURGH, PA 15238
Tel: (412) 782-0400
A,CM,CP,E,MP

South Carolina
Hewlett-Packard Co.
P.O. Box 6442
6941-0 N. Trenholm Road
COLUMBIA, SC 29260
Tel: (803) 782-6493
CM,CS,E,MS



SALES & SUPPORT OFFICES

Arranged alphabetically by country

UNITED STATES (Cont.)

South Carolina (Cont.)

Hewlett-Packard Co.
814 Wade Hampton Blvd.
Suite 10
GREENVILLE, SC 29609
Tel: (803) 232-0917
C

Tennessee

Hewlett-Packard Co.
P.O. Box 22490
224 Peters Road
Suite 102

KNOXVILLE, TN 37922
Tel: (615) 691-2371
A*,CM,MS

Hewlett-Packard Co.
3070 Directors Row
MEMPHIS, TN 38131
Tel: (901) 346-8370
A,CM,CS,MS

Hewlett-Packard Co.
Suite 103
478 Craighead Street
NASHVILLE, TN 37204
Tel: (615) 383-9136
CM,MS**

Texas

Hewlett-Packard Co.
Suite 310W
7800 Shoal creek Blvd.
AUSTIN, TX 78757
Tel: (512) 459-3143
CM,E

Hewlett-Packard Co.
Suite C-110
4171 North Mesa
EL PASO, TX 79902
Tel: (915) 533-3555
CM,CS,E*,MS**

Hewlett-Packard Co.
5020 Mark IV Parkway
FORT WORTH, TX 76106
Tel: (817) 625-6361
CM,C*

Hewlett-Packard Co.
P.O. Box 42816
10535 Harwin Street
HOUSTON, TX 77036
Tel: (713) 776-6400
A,CM,CP,E,MP

Hewlett-Packard Co.
3309 67th Street
Suite 24
LUBBOCK, TX 79413
Tel: (806) 799-4472
M

Hewlett-Packard Co.
P.O. Box 1270
930 E. Campbell Rd.
RICHARDSON, TX 75081
Tel: (214) 231-6101
A,CM,CP,E,MP

Hewlett-Packard Co.
205 Billy Mitchell Road
SAN ANTONIO, TX 78226
Tel: (512) 434-8241
CM,CS,E,MS

Utah

Hewlett-Packard Co.
3530 W. 2100 South Street
SALT LAKE CITY, UT 84119
Tel: (801) 974-1700
A,CM,CP,E,MS

Virginia

Hewlett-Packard Co.
P.O. Box 9669
2914 Hungary Spring Road
RICHMOND, VA 23228
Tel: (804) 285-3431
A,CM,CP,E,MS

Hewlett-Packard Co.
P.O. Box 4786
3110 Peters Creek Road, N.W.
ROANOKE, VA 24015
Tel: (703) 563-2205
CM,CS,E**

Hewlett-Packard Co.
P.O. Box 12778
5700 Thurston Avenue
Suite 111
VIRGINIA BEACH, VA 23455
Tel: (804) 460-2471
CM,CS,MS

Washington

Hewlett-Packard Co.
15815 S.E. 37th Street
BELLEVUE, WA 98006
Tel: (206) 643-4000
A,CM,CP,E,MP

Hewlett-Packard Co.
Suite A
708 North Argonne Road
SPOKANE, WA 99206
Tel: (509) 922-7000
CM,CS

West Virginia

Hewlett-Packard Co.
4604 MacCorkle Ave., S.E.
CHARLESTON, WV 25304
Tel: (304) 925-0492
A,CM,MS

Wisconsin

Hewlett-Packard Co.
150 S. Sunny Slope Road
BROOKFIELD, WI 53005
Tel: (414) 784-8800
A,CM,CS,E*,MP

URUGUAY

Pablo Ferrando S.A.C. e.l.
Avenida Italia 2877
Casilla de Correo 370
MONTEVIDEO
Tel: 403102
Telex: 901 Public Booth Para Pablo
Ferrando 919520
Cable: RADIUM Montevideo
A,CM,E,M

Guillermo Kraft del Uruguay S.A.
Avda. Libertador Brig. Gral.
Lavalleja 2083
MONTEVIDEO
Tel: 234588, 234808, 208830
Telex: 6245 ACTOUR UY
P

U.S.S.R.

Hewlett-Packard Co.
Representative Office
Pokrovsky Blvd. 4/17 KV12
MOSCOW 101000 Tel: 294-2024
Telex: 7825 HEWPACK SU

VENEZUELA

Hewlett-Packard de Venezuela C.A.
Apartado 50933
3A Transversal Los Ruices Norte
Edificio Segre 2Y3
CARACAS 1071
Tel: 239-4133, 239-4777,
239-4244
Telex: 25146 HEWPACK
Cable: HEWPACK Caracas
A,CP,E,MS,P

YUGOSLAVIA

Iskra-Commerce-Representation of
Hewlett-Packard
Sava Centar Delegacija 30
Milentija Popovica 9
11170 BEOGRAD
Tel: 638-762
Telex: 12042, 12322 YU SAV CEN

Iskra-Commerce-Representation of
Hewlett-Packard
Koprska 46
61000 LJUBLJANA
Tel: 321674, 315879
Telex:

ZAMBIA

R. J. Tilbury (Zambia) Ltd.
P.O. Box 2792
LUSAKA
Tel: 81243
A,E,M,P

ZIMBABWE

Field Technical Sales
45 Kelvin Road, North
P.B. 3458
SALISBURY
Tel:
C,E,M,P

FOR COUNTRIES AND AREAS NOT LISTED:

CANADA

Ontario
Hewlett-Packard (Canada) Ltd.
6877 Goreway Drive
MISSISSAUGA, Ontario L4V 1M8
Tel: (416) 678-9430
Telex: 610-492-4246

EASTERN USA

Maryland
Hewlett-Packard Co.
4 Choke Cherry Road
Rockville, MD 20850
Tel: (301) 258-2000

MIDWESTERN USA

Illinois
Hewlett-Packard Co.
5201 Tollview Drive
ROLLING MEADOWS, IL 60008
Tel: (312) 255-9800

SOUTHERN USA

Georgia
Hewlett-Packard Co.
P.O. Box 105005
450 Interstate N. Parkway
ATLANTA, GA 30339
Tel: (404) 955-1500

WESTERN USA

California
Hewlett-Packard Co.
3939 Lankersim Blvd.
LOS ANGELES, CA 91604
Tel: (213) 877-1282

EUROPEAN AREAS NOT LISTED, CONTACT

SWITZERLAND

Hewlett-Packard S.A.
7 Rue du Bois-du-Lan
CH-1217 MEYRIN 2, Switzerland
Tel: (022) 83-81-11
Telex: 27835 hpse
Cable: HEWPACKSA Geneve

EAST EUROPEAN AREAS NOT LISTED, CONTACT

AUSTRIA

Hewlett-Packard Ges.m.b.h.
Wehlstrasse 29
P.O. Box 7
A-1205 VIENNA
Tel: (222) 35-16-210
Telex: 135823/135066

MEDITERRANEAN AND MIDDLE EAST AREAS NOT LISTED, CONTACT

GREECE

Hewlett-Packard S.A.
Mediterranean & Middle East
Operations
35, Kolokotroni Street
Platia Kefallariou
GR-Kifissia, ATHENS, Greece
Tel: 808-0359, 808-0429
Telex: 21-6588
Cable: HEWPACKSA Athens

INTERNATIONAL AREAS NOT LISTED, CONTACT

OTHER AREAS

Hewlett-Packard Co.
Intercontinental Headquarters
3495 Deer Creek Road
PALO ALTO, CA 94304
Tel: (415) 857-1501
Telex: 034-8300
Cable: HEWPACK

